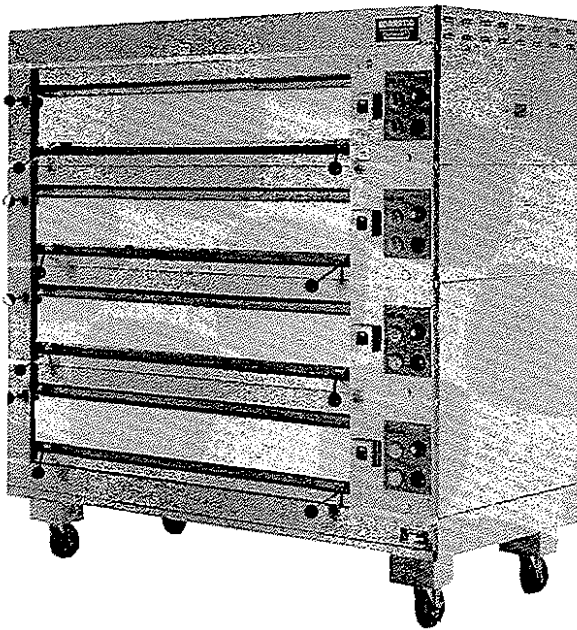


CATALOG OF REPLACEMENT PARTS

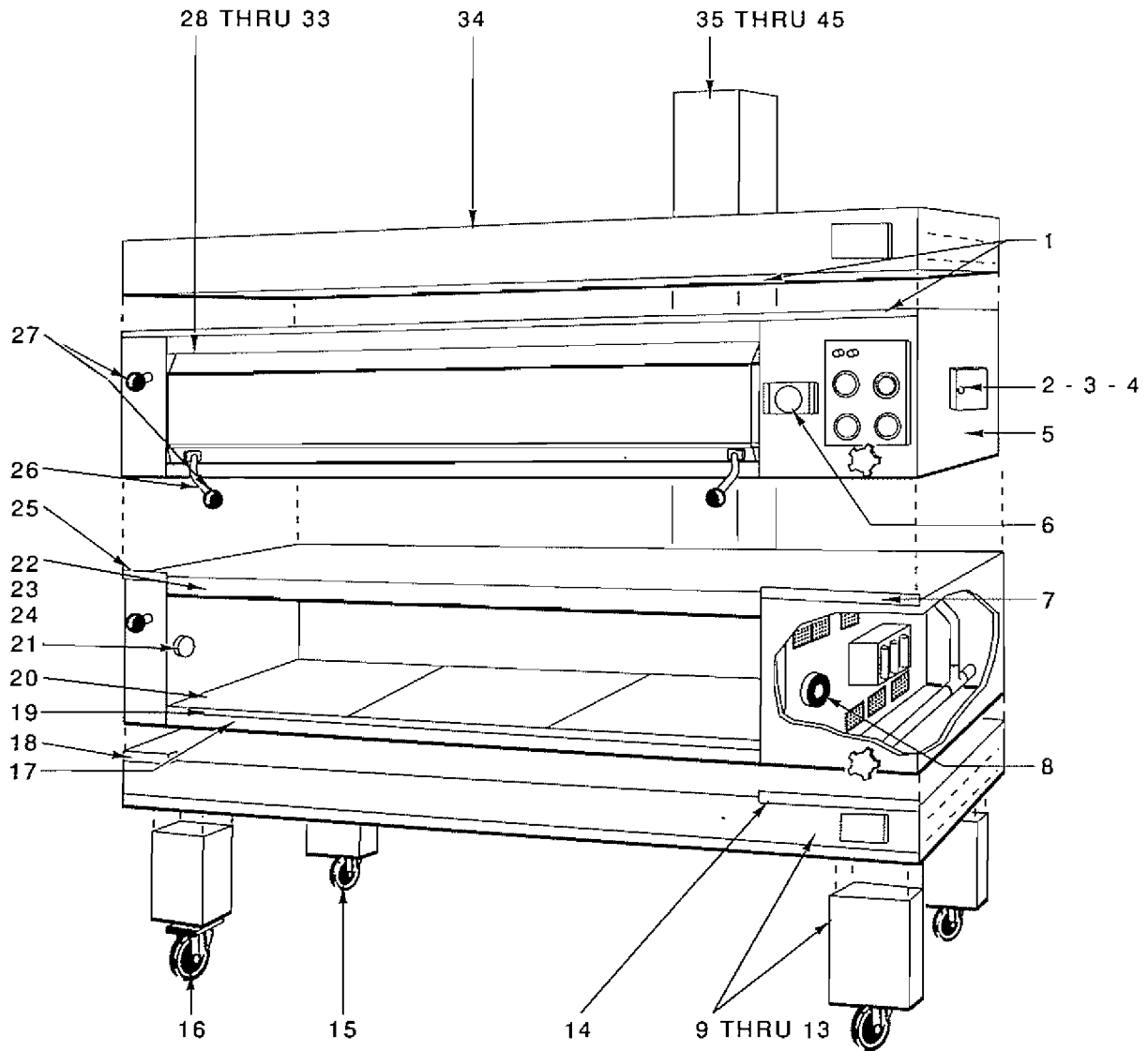


Electric
**“ADD-A-DECK”
BAKE OVEN**

3-Pan Wide

ADAMATIC

A **HOBART** CORPORATION COMPANY

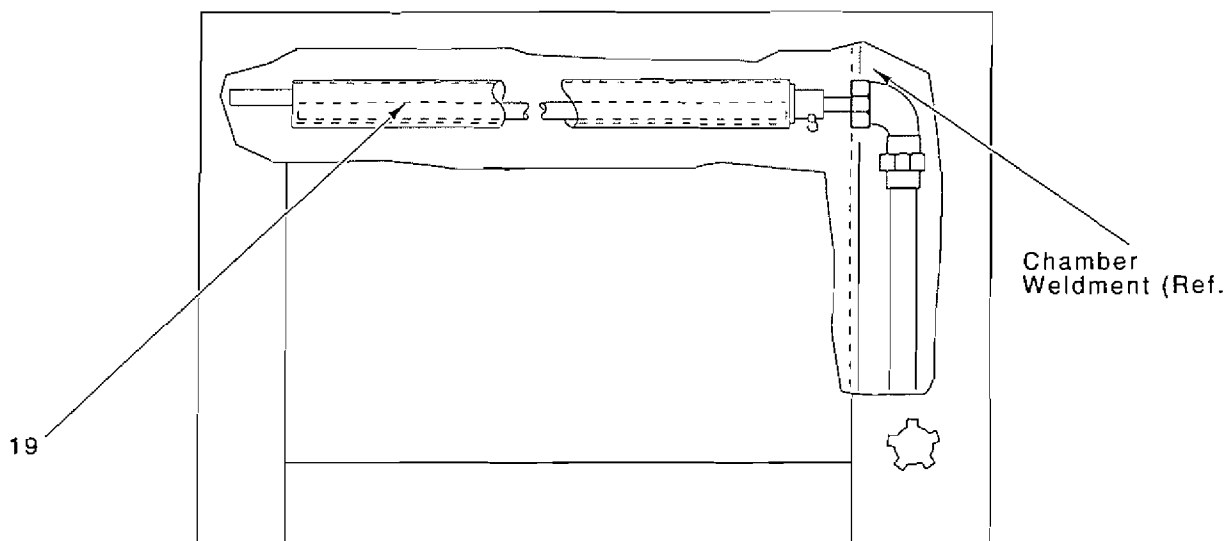
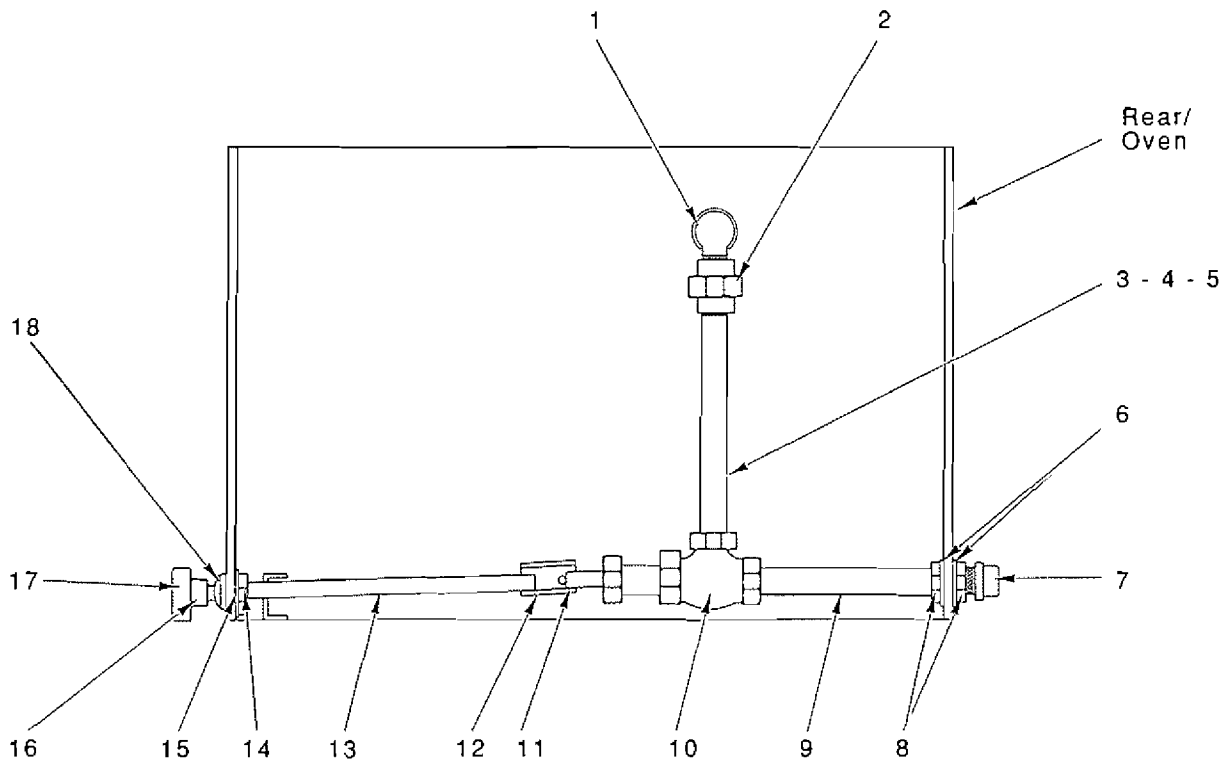


PL-50229

DECK OVENS - 3 PAN WIDE

DECK OVENS - 3 PAN WIDE

ILLUS. PL-50229	PART NO.	NAME OF PART
1	621060	Molding - Top
2	621102	Panel - Access 5" Oven
3	621035	Panel - Access 8" Oven
4	621082	Panel - Access 10" Oven
5	621064	Molding - Right Side, Bottom
6	624464	Timer Assy
7	621063	Molding - Right Side
8	621044	Spring - Door Coil
9	621204	Base & Leg Assy (3 Pan, 1 Deck)
10	621202	Base & Leg Assy (3 Pan, 2 Deck)
11	621203	Base & Leg Assy (3 Pan, 3 Deck)
12	621200	Base & Leg Assy (3 Pan, 4 Deck)
13	621201	Base & Leg Assy (3 Pan, 5 Deck)
14	621064	Molding - Right Side, Bottom
15	686369	Caster (Without Brake)
16	686368	Caster (With Brake)
17	621021	Panel - Bottom Front
18	621062	Molding - Left Side, Bottom
19	621020	Molding - Pan
20	621024	Pan - Weldment
21	621040	Hub - Bearing
22	621112	Panel - Top Front (5", 3 Pan)
23	621018	Panel - Top Front (8", 3 Pan)
24	621098	Panel - Top Front (10", 3 Pan)
25	621061	Molding - Left Side
26	621045	Handle - Door Weldment
27	686158	Knob - Black
28	621109	Door Weldment (5", 3 Pan)
29	621048	Door Weldment (8", 3 Pan)
30	621088	Door Weldment (10", 3 Pan)
31	617682	Self-Tapping Screw 10-32 x 3/8 Pan Hd., Slotted
32	621043	Stop - Door
33	610000	Cap Screw 1/4-20 x 3/4 Hex Hd.
34	621000	Weldment - Top
35	621114	Bracket - Exhaust (5")
36	621110	Cover - Exhaust (5")
37	621111	Bottom - Exhaust Weldment (5")
38	614240	Screw 1/4-20 x 1 Binding Hd., Slotted
39	617675	Bumper - Flue
40	621023	Bracket - Exhaust (8")
41	621033	Cover - Exhaust (8")
42	621001	Bottom - Exhaust Weldment (8")
43	621096	Bracket - Exhaust (10")
44	621090	Cover - Exhaust (10")
45	621089	Bottom - Exhaust Weldment (10")



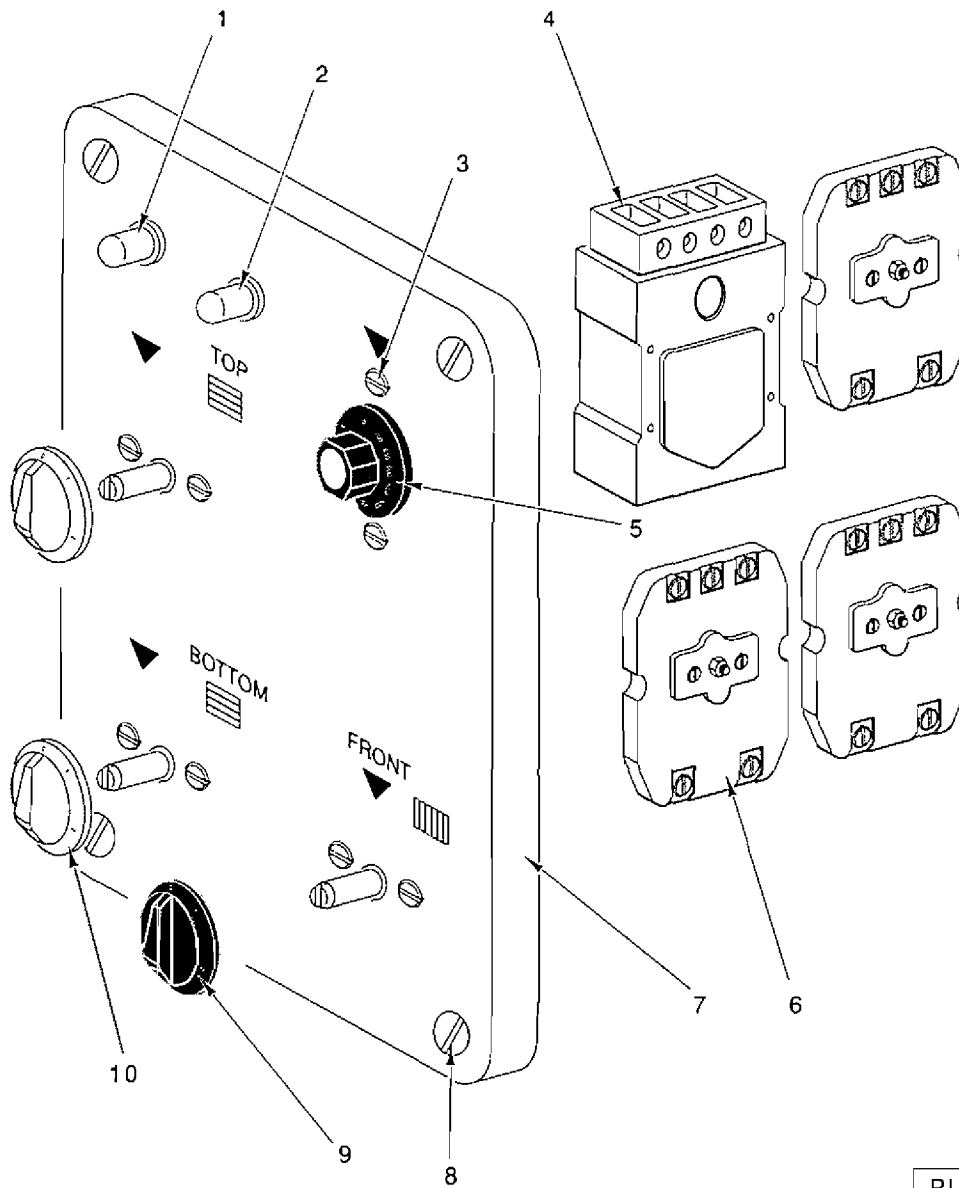
Front Of Oven

PL-50231

STEAM ASSEMBLY

STEAM ASSEMBLY

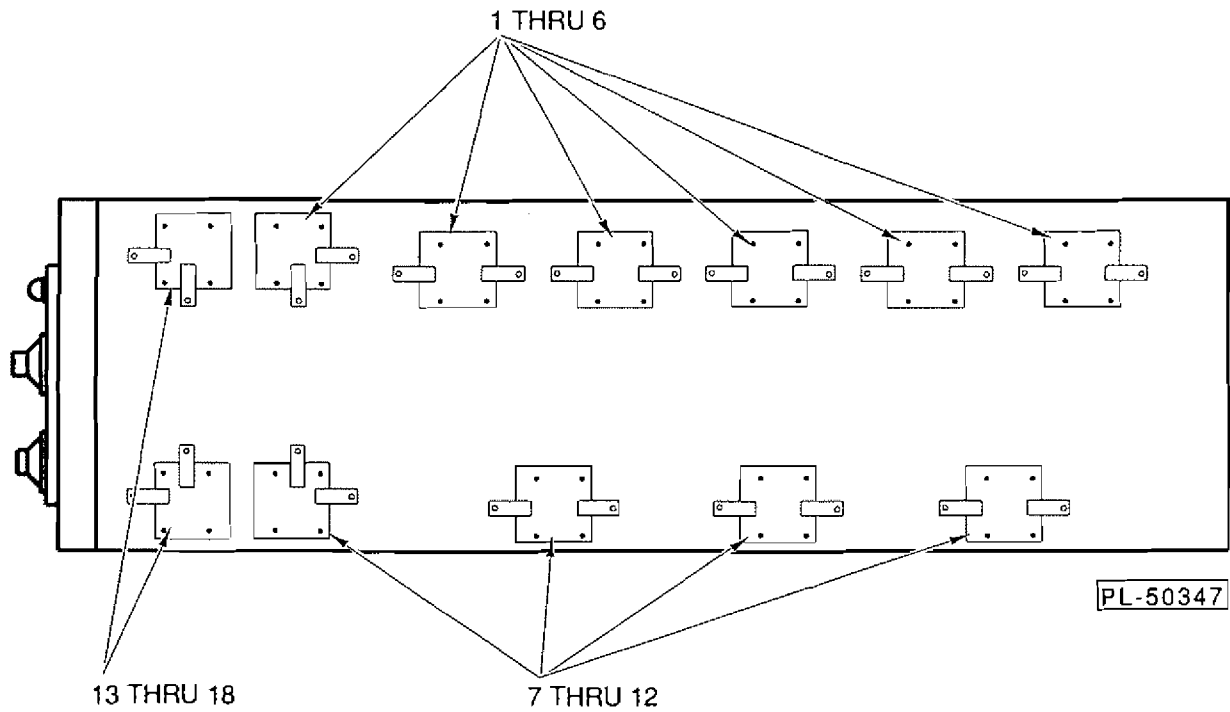
ILLUS. PL-50231	PART NO.	NAME OF PART
	1	Elbow - Street 3/4 NPT, 90 Degrees
	2	Union 3/4 NPT Black Iron
	3	Pipe - Riser (5" Oven)
	4	Pipe - Riser (8" Oven)
	5	Pipe - Riser (10" Oven)
	6	Lockwasher
	7	Cap - Pipe 3/4 NPT
	8	Lock Nut 3/4 NPT Hex
	9	Pipe - Feed-Thru
	10	Valve - Manifold
	11	Roll Pin 1/4 Dia. x 3/4
	12	Sleeve
	13	Extension
	14	Nut 1/2-14 Hex
	15	Locknut #7
	16	Set Screw 1/4-20 x 1/2 Hex Socket Hd.
	17	Knob - Knurled Plastic
	18	Bushing
	19	Distributor - Steam Weldment
	621105	Steam Assy (5") (Incls. items 1, 2, 3 & 6 thru 19)
	621121	Steam Assy (8") (Incls. items 1, 2, 4 & 6 thru 19)
	621136	Steam Assy (10") (Incls. items 1, 2 & 5 thru 19)



PL-50241

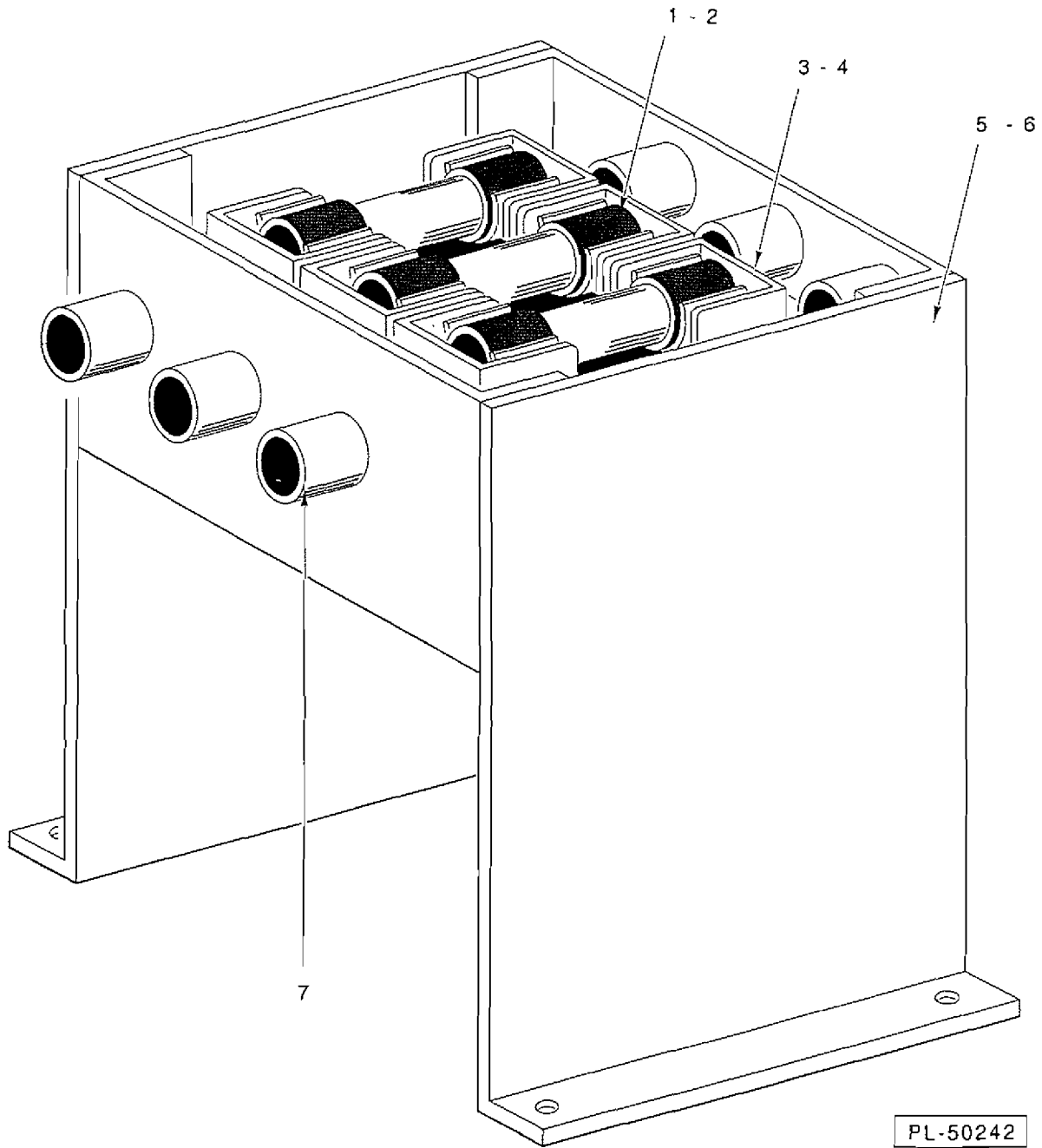
INSTRUMENT PANEL

ILLUS.	PART NO.	NAME OF PART
PL-50241		
1	664505	Lamp - Pilot (Neon, Red, 250V)
2	664506	Lamp - Pilot (Neon, Green, 250V)
3	615035	Screw M4 x 6 Pan Hd., Slotted
4	610512	Thermostat
5	610513	Knob - Hi-Range Thermostat
6	689538	Switch - Heat
7	621036	Panel - Instrument
8	617682	Self-Tapping Screw 10-32 x 1/8 Pan Hd., Slotted
9	610520	Knob - Black
10	610519	Knob - White



HEATING ELEMENTS

ILLUS. PL-50347	PART NO.	NAME OF PART
1	617677	Element - Heating (5" & 8", 220 V., 510 Watts)
2	664424	Element - Heating (5", 480 V., 510 Watts)
3	664426	Element - Heating (8", 480 V., 550 Watts)
4	664501	Element - Heating (5" & 8", 380 V., 550 Watts)
5	614269	Element - Heating (10", 220 V., 580 Watts)
6	614270	Element - Heating (10", 480 V., 580 Watts)
7	617676	Element - Heating (5" & 8", 220 V., 760 Watts)
8	664425	Element - Heating (5", 480 V., 760 Watts)
9	664427	Element - Heating (8", 480 V., 830 Watts)
10	664502	Element - Heating (5" & 8", 380 V., 830 Watts)
11	614273	Element - Heating (10", 220 V., 880 Watts)
12	614274	Element - Heating (10", 480 V., 880 Watts)
13	617676	Element - Heating (5" & 8", 220 V., 760 Watts)
14	664425	Element - Heating (5", 480 V., 760 Watts)
15	664427	Element - Heating (8", 480 V., 830 Watts)
16	664502	Element - Heating (5" & 8", 380 V., 830 Watts)
17	614273	Element - Heating (10", 220 V., 880 Watts)
18	614274	Element - Heating (10", 480 V., 880 Watts)



FUSE BLOCK

ILLUS. PL-50242	PART NO.	NAME OF PART
1	617651	Fuse - 30 Amp, 250V. Time Delay
2	684437	Fuse - 30 Amp, 500V.
3	664412	Holder - Fuse (250V., 30 Amp)
4	684428	Holder - Fuse (480V.)
5	624609	Weldment - Fuse Box (220/480 V., 5" & 8")
6	621038	Weldment - Fuse Box (220 V., 10")
7	684096	Bushing - Split