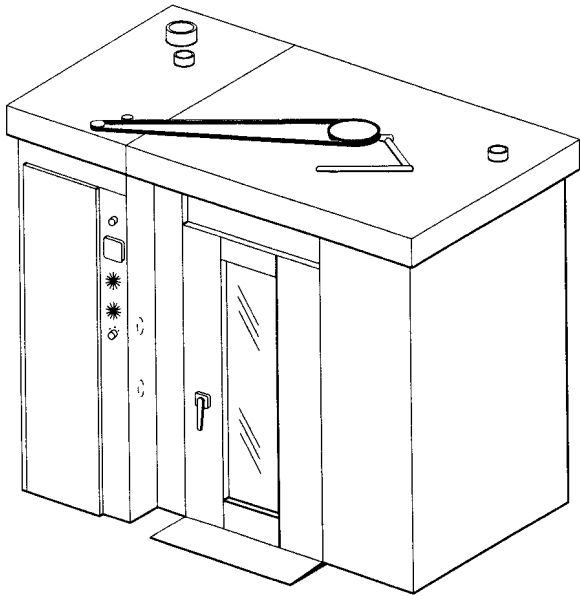
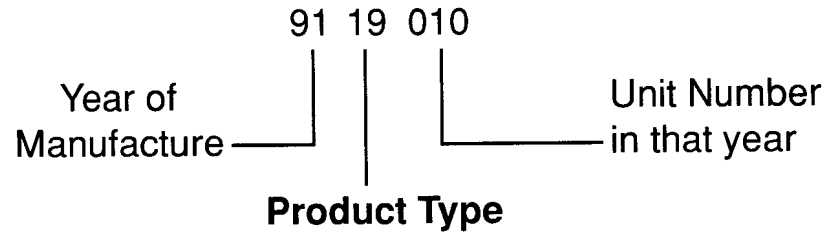


# CATALOG OF REPLACEMENT PARTS

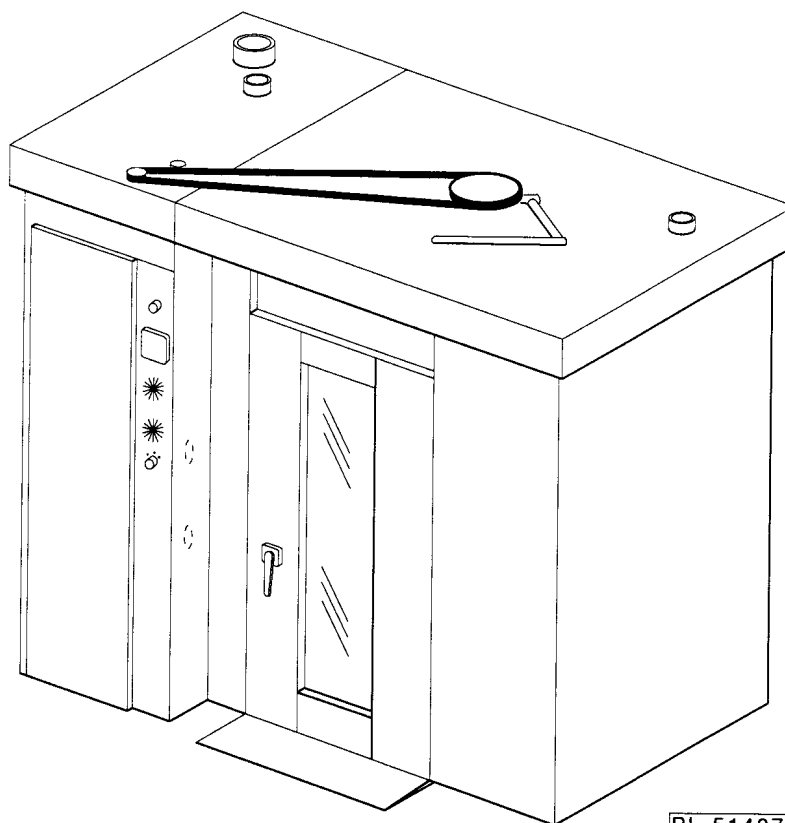
Use This Catalog for **Product Type** 19 or 20 only.  
The Serial Number is split into three sets of Digits.



**Model 135 (619 - 620)  
RACK OVEN**

# ADAMATIC

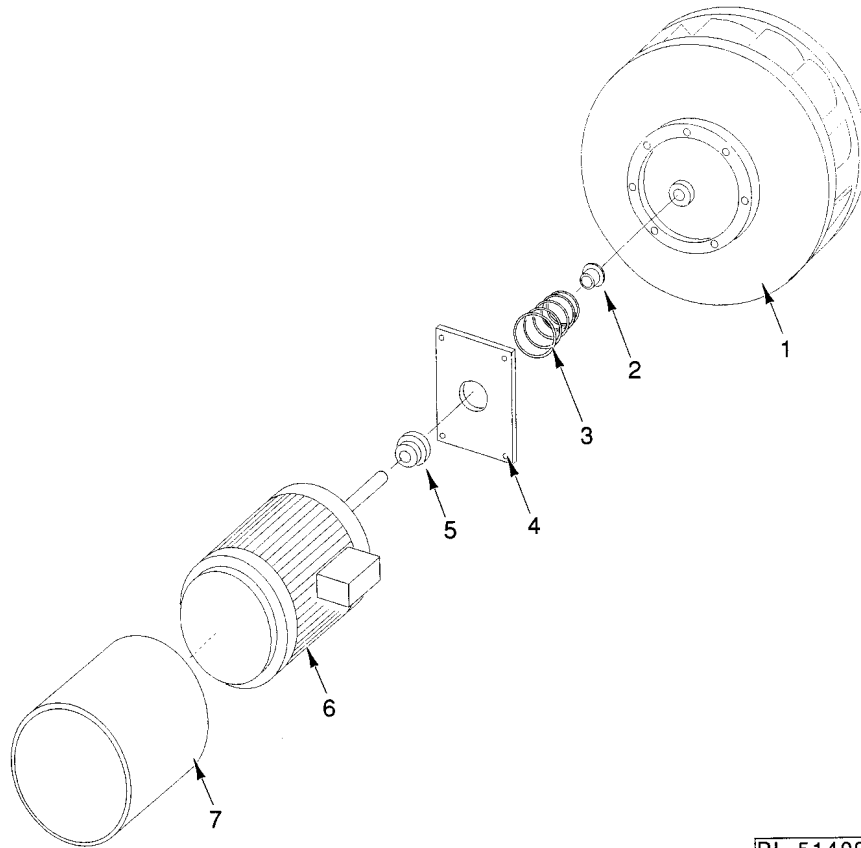
A **HOBART** CORPORATION COMPANY



PL-51407

### Table of Contents

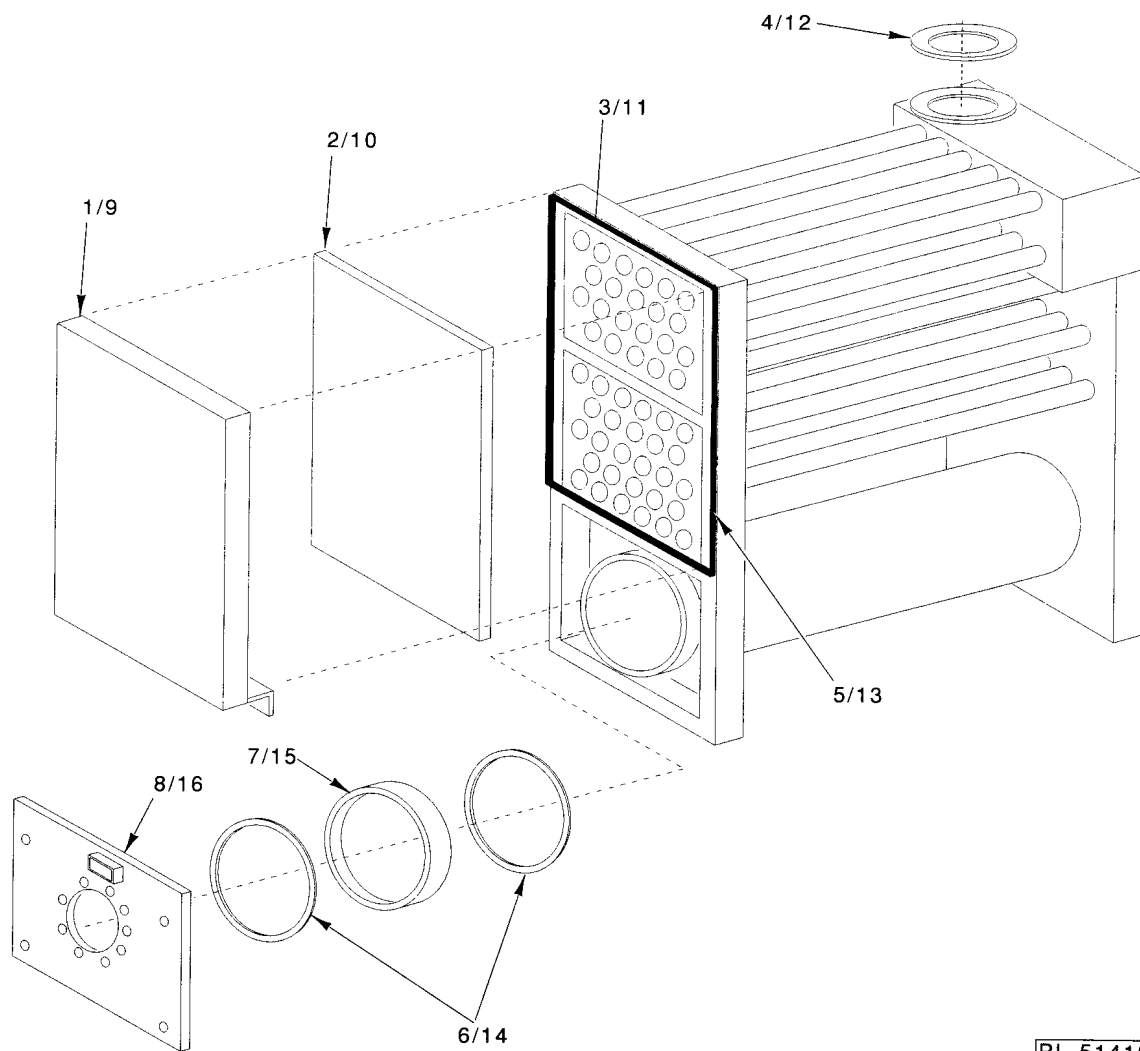
Page	Description
3	Fan Device
4	Heating Equipment
5	Control Panel
6	Steam Unit
7	Stainless Cover
8	Oven Door
9	Belt Tension
10	Rack Lift "A"
12	Rack Lift "B"
14	Rack Lift "C"
16	Frame
18	Rotation Drive Unit
20	Gas Burner (400)
22	Gas Burner (F-400/400-33)
24	Dampers
25	Rack Lift Pulley
26	Electrical Components
Back	Miscellaneous Controls



PL-51409

**FAN**

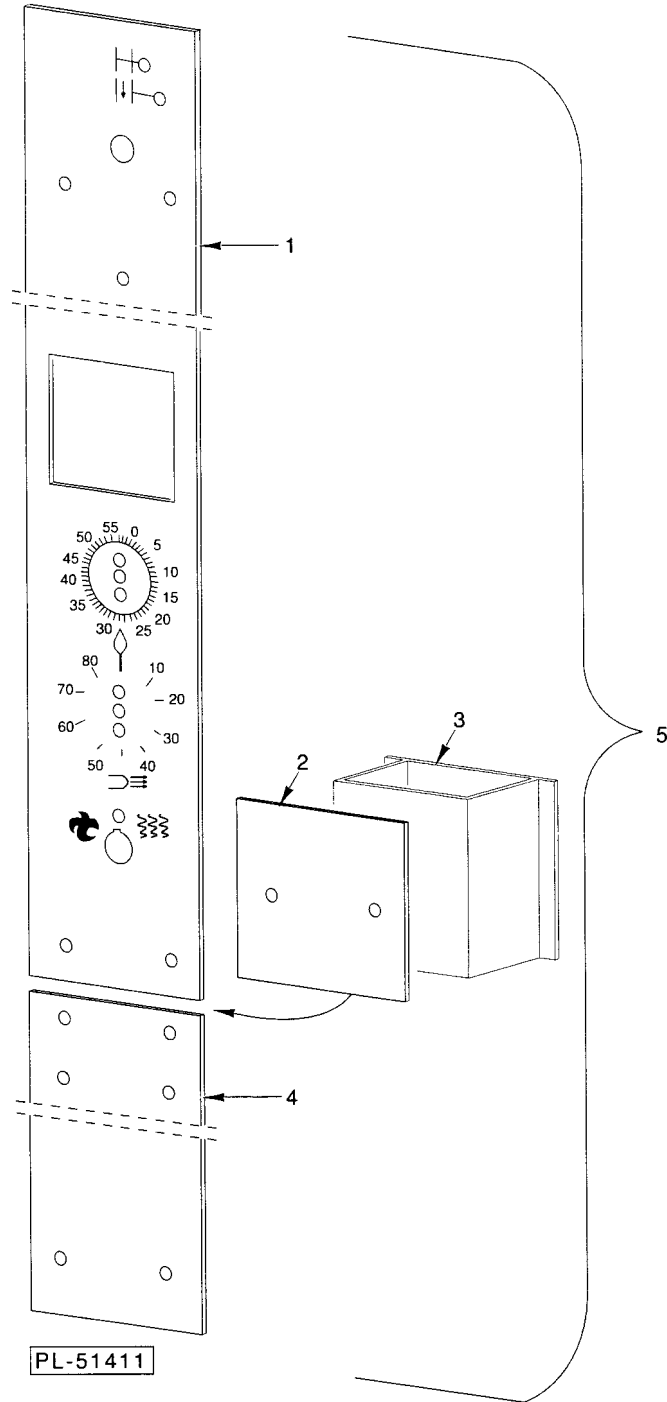
ILLUS. PL-51409	PART NO.	NAME OF PART	AMT.
1	688717	Fan .....	
2	688895	Bushing .....	
3	688894	Spring .....	
4	793506	Steering Panel .....	
5	793505	Disc - Cooling .....	
6	688625	Motor (3 Ph., 220-480 V., 60 Hz.) .....	
7	793507	Duct - Ventilation .....	



PL-51410

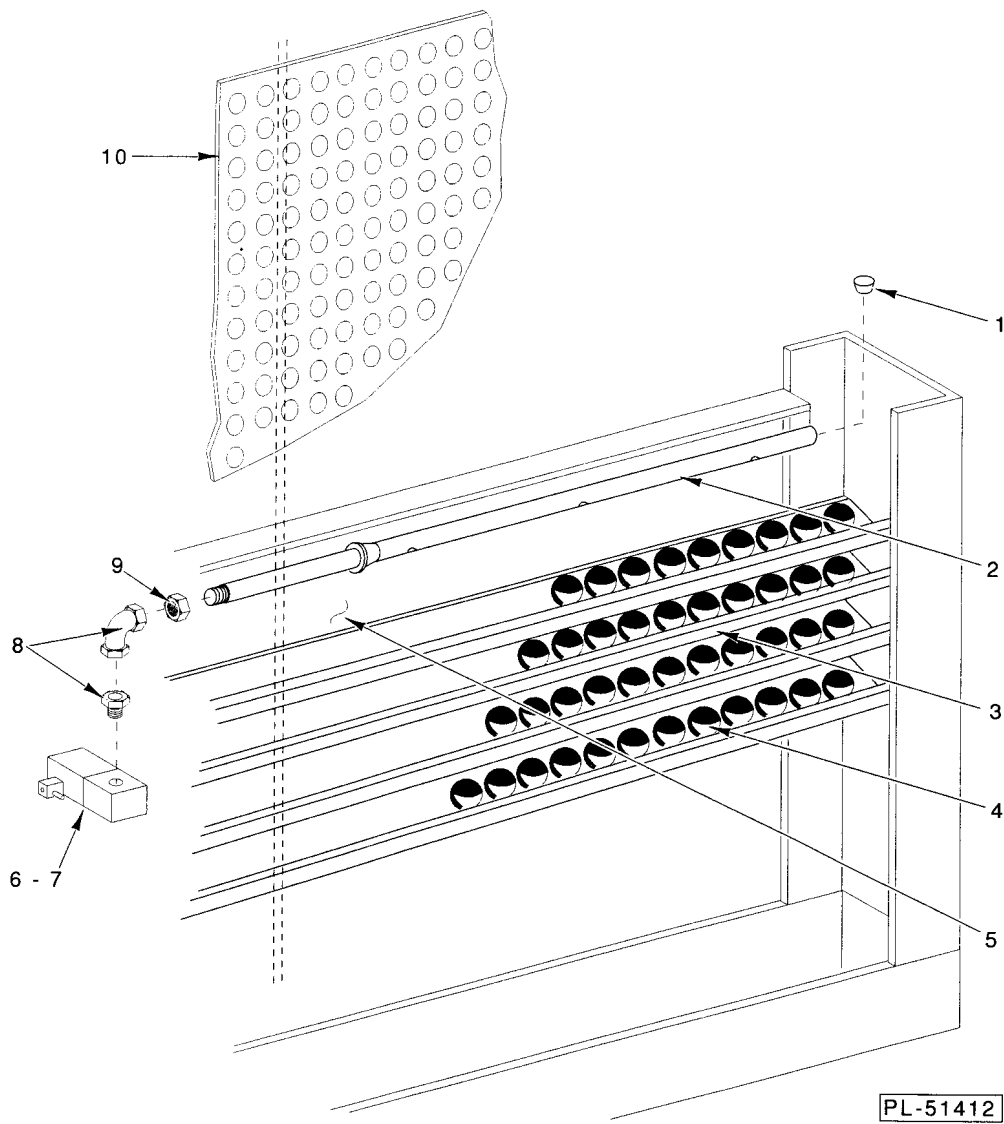
### HEATING EQUIPMENT

ILLUS.	PART NO.	NAME OF PART	AMT.
1	688646	Cover (619) .....	
2	688647	Cover - Inner (619) .....	
3	688648	Exchanger - Heat (619) .....	
4	688649	Seal (619) .....	
5	613425	Sealing Material (1'Lg., need 18')(619) .....	
6	688651	Clamp Material (Includes Clamp)(619) .....	
7	688652	Seal - Al-Glass (619) .....	
8	688650	Plate - Burner (619) .....	
9	688759	Cover (620) .....	
10	688756	Cover - Inner (620) .....	
11	688760	Exchanger - Heat (620) .....	
12	683107	Seal (620) .....	
13	613425	Sealing Material (1'Lg. need 18')(620) .....	
14	688757	Clamp Material (Includes Clamp)(620) .....	
15	688652	Seal - AL-Glass (620) .....	
16	688758	Plate - Burner (620) .....	



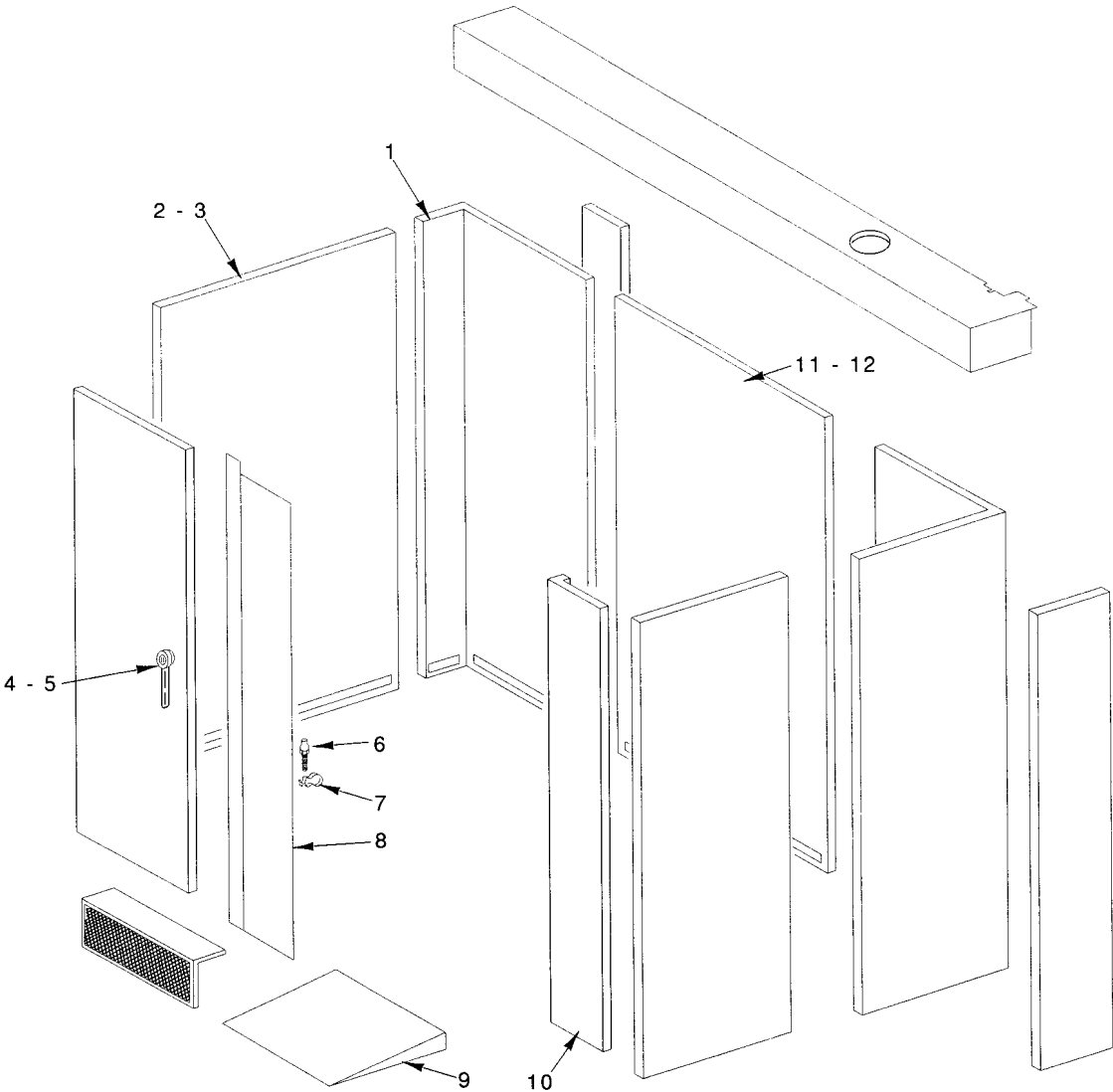
**CONTROL PANEL**

ILLUS. PL-51411	PART NO.	NAME OF PART	AMT.
1	683421	Panel - Top .....	
2	683529	Panel - Adjustment .....	
3	691663	Panel (With Glove Holder) .....	
4	683790	Panel - Bottom .....	
5	683530	Panel Assy.(Incls.items 1, 2 & 4) .....	



**STEAM UNIT**

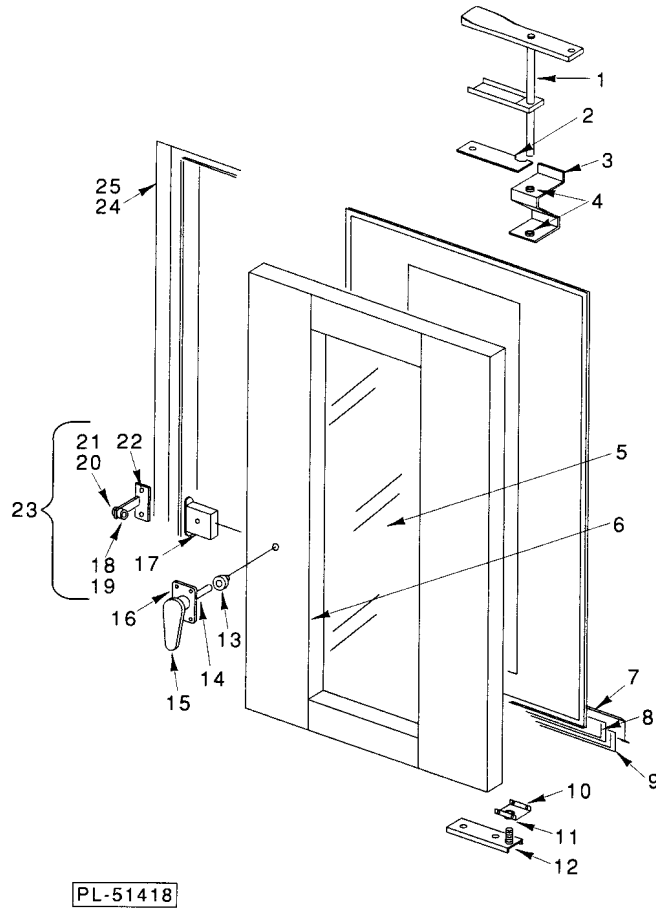
ILLUS.	PART NO.	NAME OF PART	AMT.
1	687947	Plug .....	
2	683503	Tube - Sprinkler .....	
3	688311	Bed - Ball (23 Per Oven) .....	
4	613618	Ball (1,056 Per Oven) .....	
5	683711	Shield - Splash .....	
6	687196	Valve - Solenoid (3/8)(115 V., 60 Hz.)(Incls.item 8) .....	
7	618902	Valve - Solenoid (220 V., 50/60 Hz.)(Incls.item 8) .....	
8	687946	Coupling - Radiator .....	
9	688313	Cover .....	
10	688312	Plate - Perforated .....	
	683593	Control - Steam (Not Shown) .....	



PL-51413

**STAINLESS COVER**

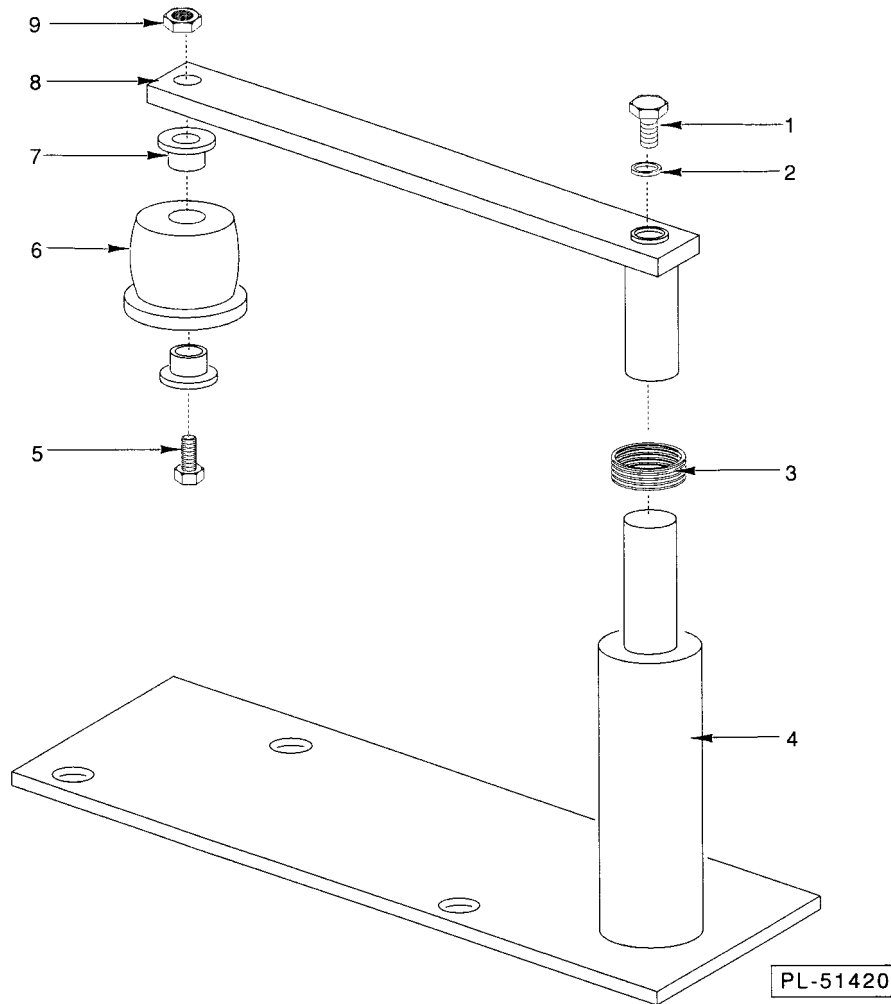
ILLUS. PL-51413	PART NO.	NAME OF PART	AMT.
1	688966	Panel - Rear (L.H.) .....	
2	688967	Panel - Side (L.H.)(619) .....	
3	688968	Panel - Side (L.H.)(620) .....	
4	688741	Handle - Door (Standard, Without Key) .....	
5	688742	Handle - Door (With Key) .....	
6	688761	Stud - Control Panel .....	
7	688762	Clip .....	
8	688730	Strip - Corner .....	
9	688690	Ramp - Door .....	
10	688691	Cover .....	
11	- - -	Panel - Rear (Standard) .....	
12	683192	Window - Rear (Not Shown) .....	



OVEN DOOR

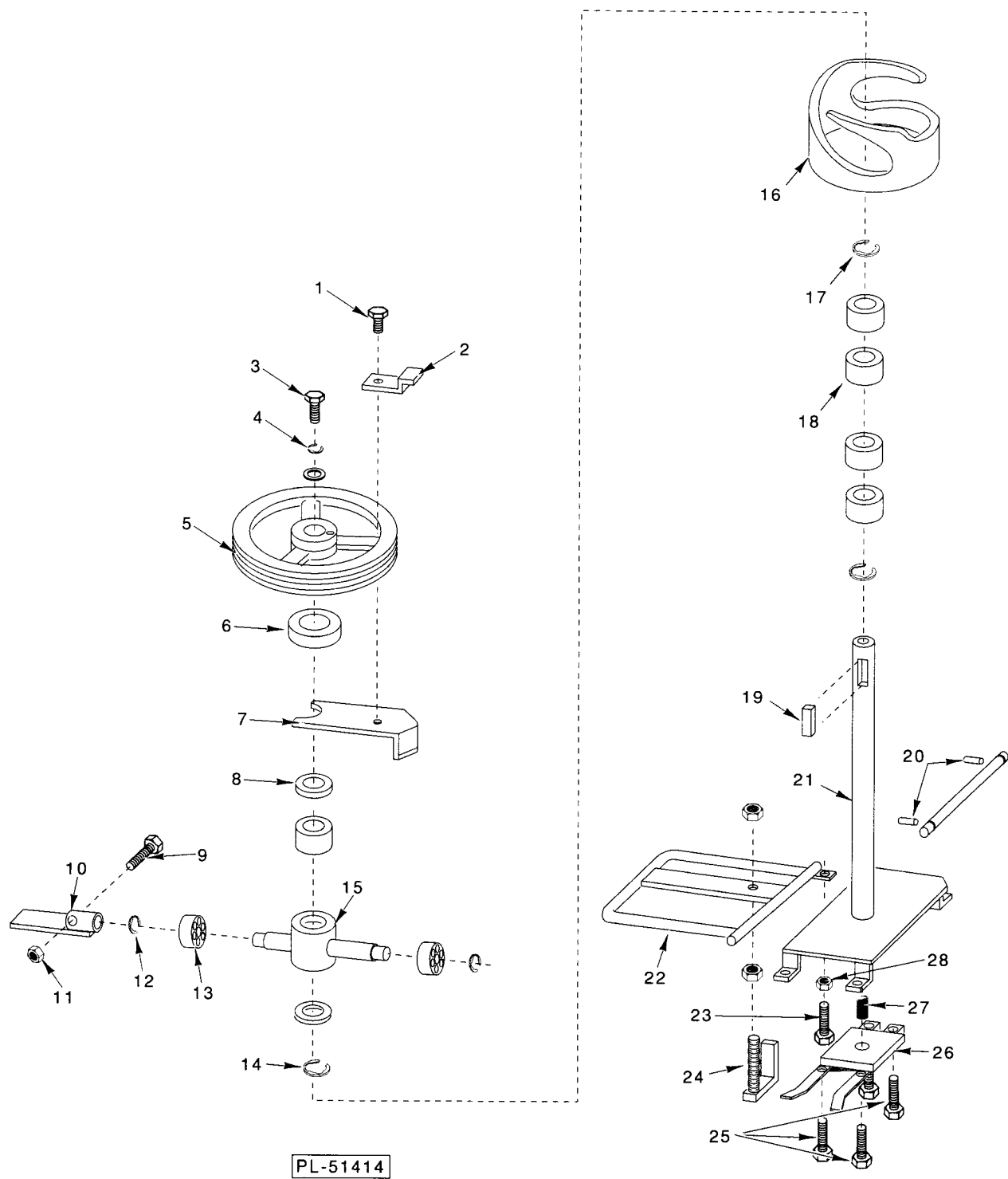
ILLUS. PL-51418	PART NO.	NAME OF PART	AMT.
	1	Hinge - Door (Upper) .....	
	2	Support - Fork .....	
	3	Hinge - Upper .....	
	4	Bushing .....	
	5	Glass .....	
	6	Cover .....	
	7	Holder - Sealing .....	
	8	Support - Sealing .....	
	9	Sealing .....	
	10	Hinge Door (1/2) .....	
	11	Bushing .....	
	12	Hinge (1/2) .....	
	13	Bushing - Nylon .....	
	14	Shaft - Door Handle .....	
	15	Door Handle Assy .....	
	16	Screw - Door Handle Mtg. ....	
	17	Latch Assy. (Right) .....	
	18	Bearing .....	
	19	Screw MFS 10 x 25 .....	
	20	Slot Nut M10 .....	
	21	Washer 21 x 36 .....	
	22	Bracket .....	
	23	Door Bracket Assy. (Incls. items 18 thru 22) .....	
	24	Sealing - Door L= 5m .....	
	25	Adhesive - Door Gasket (Not Shown) .....	
		Door Assy. (Not Shown) .....	





**BELT TENSION**

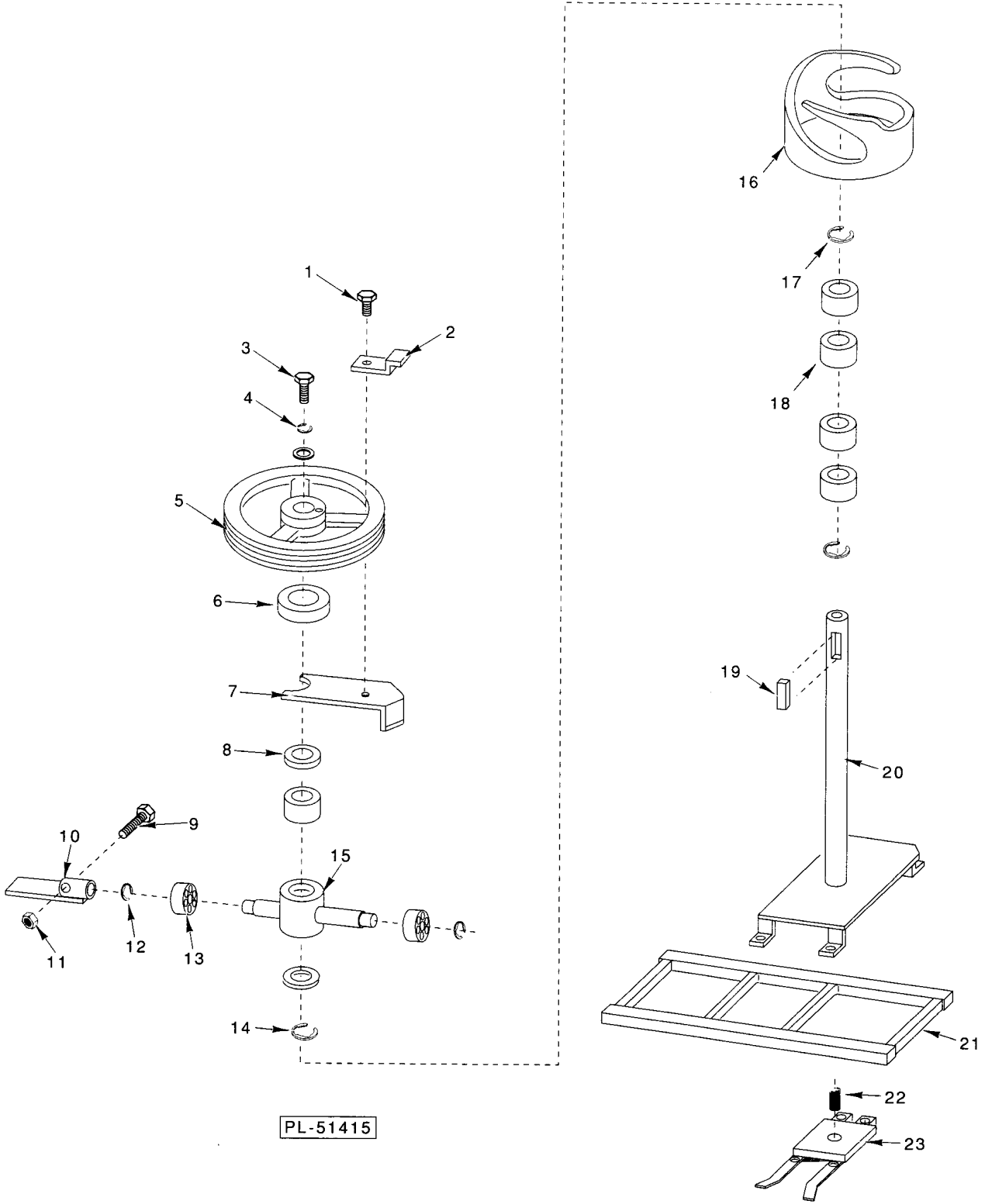
ILLUS. PL-51420	PART NO.	NAME OF PART	AMT.
1	688334	Screw M6S 6 x 16 FZB .....	
2	688337	Washer TBRSB 6,4 x 22 .....	
3	686709	Spring .....	
4	688415	Holder .....	
5	688335	Screw M6S 10 x 75 FZB .....	
6	686707	Roller .....	
7	686702	Bushing - Brass .....	
8	686705	Arm .....	
9	688336	Nut M6M FZB .....	
	617713	Tensioner - V-Belt (Not Shown) .....	



**RACK LIFT (ASSEMBLY A)**

**RACK LIFT (ASSEMBLY A)**

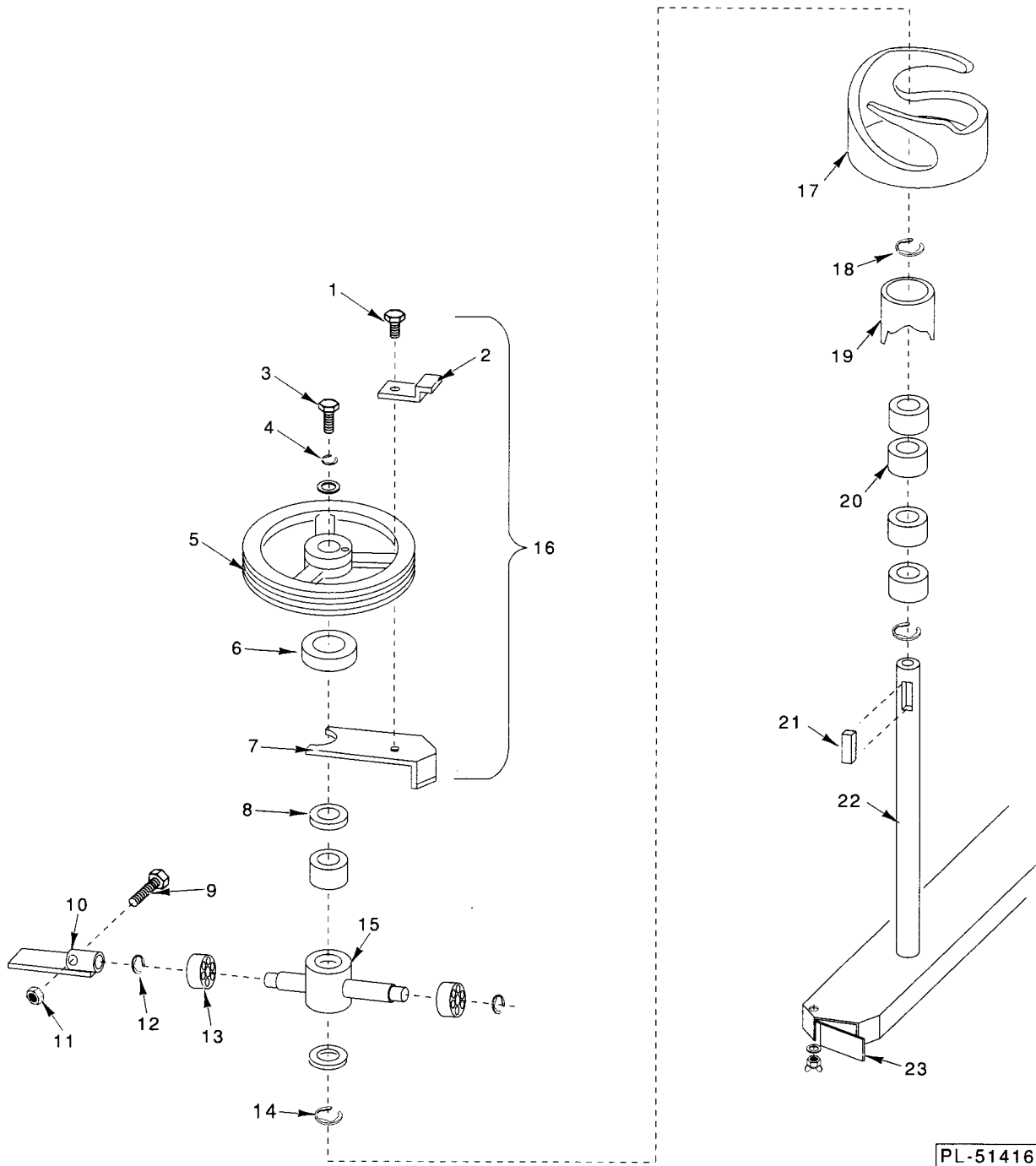
ILLUS. PL-51414	PART NO.	NAME OF PART	AMT.
1	688334	Screw M6S 6 x 16 FZB .....	
2	690171	Chucking Device .....	
3	613631	Screw M6S 12 x 25 .....	
4	610096	Washer - Locking FBB 12,2 .....	
5	688604	V-Belt Pulley .....	
6	630121-2	Sleeve - Spacing .....	
7	690772	Stop - Rotation .....	
8	614468	Bearing - Ball Thrust .....	
9	655039	Screw M6S 8 x 40 .....	
10	683116	Arm - Turn .....	
11	616228	Nut M6M 8 .....	
12	610221	Circlip .....	
13	611363	Bearing - Ball .....	
14	610219	Circlip .....	
15	683119	Support - Lift Center .....	
16	687925	Cam - Lift .....	
17	610227	Circlip .....	
18	610411	Bushing - Brass .....	
19	614907	Key - Flat .....	
20	616745	Pin - Locking 4 x 24 Dia. ....	
21	610173	Shaft - Main .....	
22	683103	Support - Rack .....	
23	688329	Screw M6S 10 x 30 .....	
24	687987	Hook .....	
25	655014	Screw M6S 8 x 25 .....	
26	610390	Guide - Rack .....	
27	687641	Spring .....	
28	688331	Nut M6M 10 .....	
	683242	Rack Lift Device Assy (Not Shown) .....	



**RACK LIFT (ASSEMBLY B)**

## RACK LIFT (ASSEMBLY B)

ILLUS. PL-51415	PART NO.	NAME OF PART	AMT.
1	688334	Screw M6S 6 x 16 FZB .....	
2	690171	Chucking Device .....	
3	613631	Screw M6S 12 x 25 .....	
4	610096	Washer - Locking FBB 12,2 .....	
5	688604	V-Belt Pulley .....	
6	630121-2	Sleeve - Spacing .....	
7	690772	Stop - Rotation .....	
8	614468	Bearing - Ball Thrust .....	
9	655039	Screw M6S 8 x 40 .....	
10	683116	Arm - Turn .....	
11	616228	Nut M6M 8 .....	
12	610221	Circlip .....	
13	611363	Bearing - Ball .....	
14	610219	Circlip .....	
15	683119	Support - Lift Center .....	
16	687925	Cam - Lift .....	
17	610227	Circlip .....	
18	610411	Bushing - Brass .....	
19	614907	Key - Flat .....	
20	628155	Shaft - Main .....	
21	628152	Support - Rack .....	
22	610390	Guide - Rack .....	
23	687641	Spring .....	

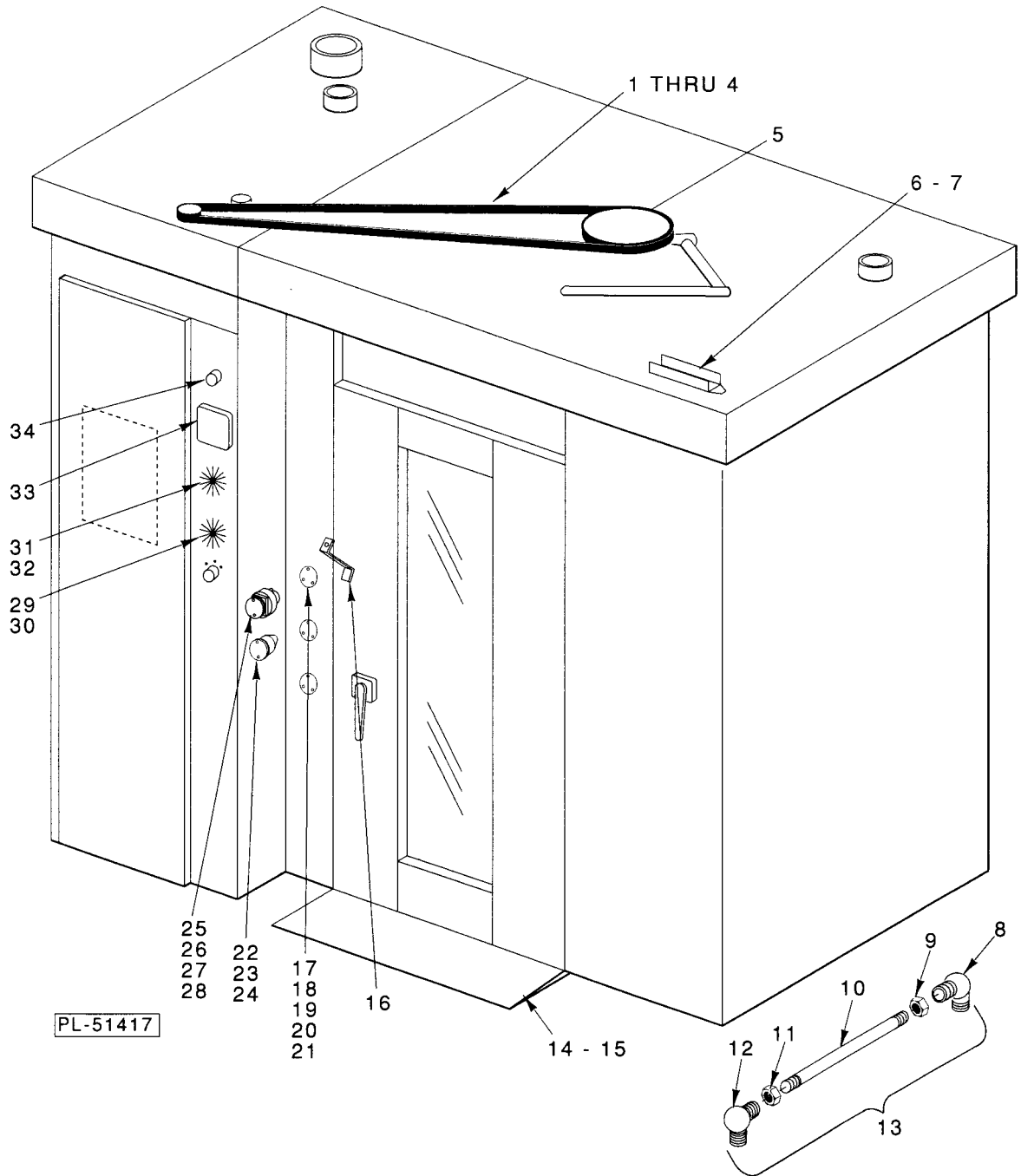


PL-51416

RACK LIFT (ASSEMBLY C)

### RACK LIFT (ASSEMBLY C)

ILLUS. PL-51416	PART NO.	NAME OF PART	AMT.
1	688334	Screw M6S 6 x 16 FZB .....	
2	690171	Chucking Device .....	
3	613631	Screw M6S 12 x 25 .....	
4	610096	Washer - Locking FBB 12,2 .....	
5	688604	V-Belt Pulley .....	
6	630121-2	Sleeve - Spacing .....	
7	690772	Stop - Rotation .....	
8	614468	Bearing - Ball Thrust .....	
9	655039	Screw M6S 8 x 40 .....	
10	683116	Arm - Turn .....	
11	616228	Nut M6M 8 .....	
12	610221	Circlip .....	
13	611363	Bearing - Ball .....	
14	610219	Circlip .....	
15	683119	Support - Lift Center .....	
16	688653	Rotation Stop Assy.(Incls.items 1, 2 & 7) .....	
17	687925	Cam - Lift .....	
18	610227	Circlip .....	
19	688688	Tube - Rack Lift (Incls.items 18 & 20) .....	
20	610411	Bushing - Brass .....	
21	614907	Key - Flat .....	
22	688721	Rack Support (Incls.item 23) .....	
23	688763	Stop - Rack .....	

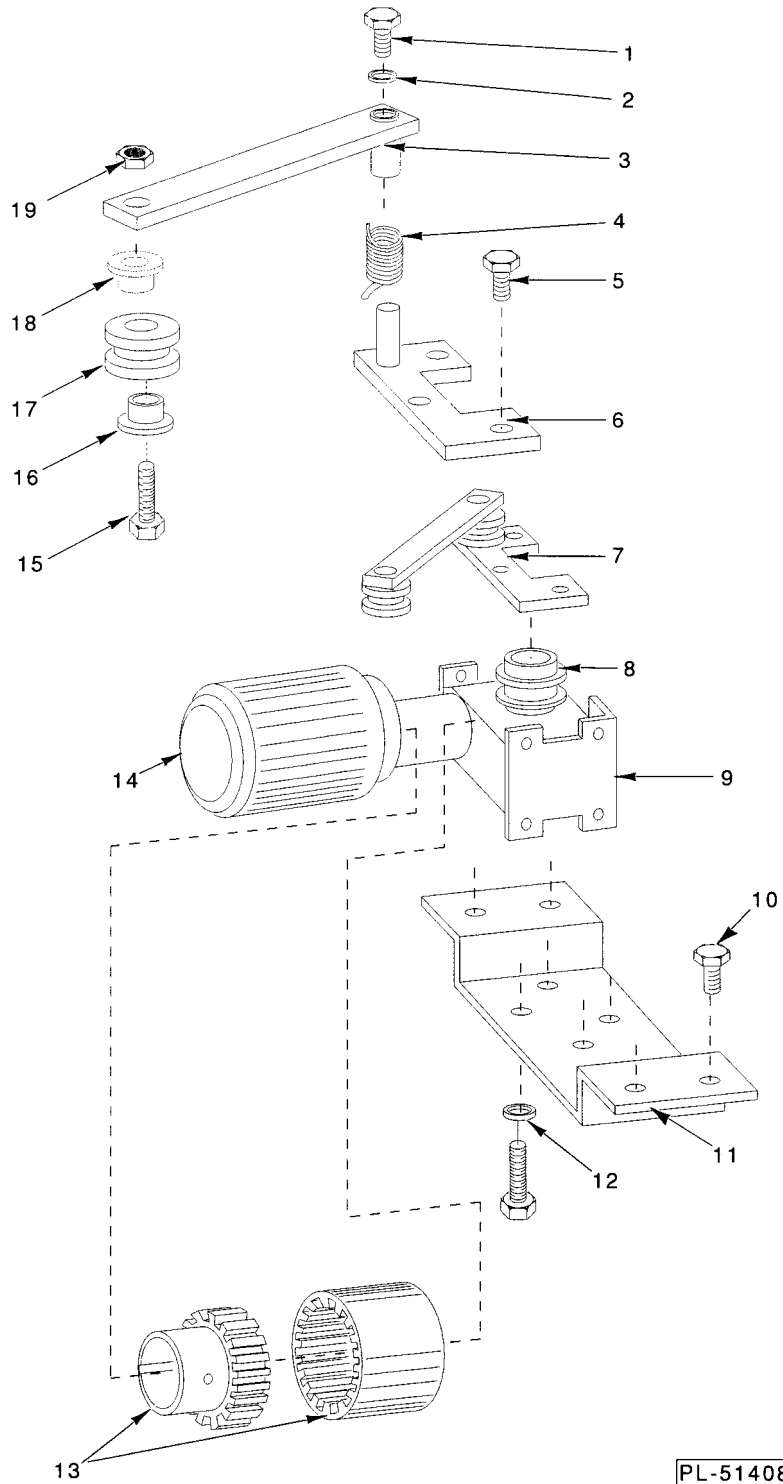


**FRAME**



## FRAME

ILLUS. PL-51417	PART NO.	NAME OF PART	AMT.
1	687950	V-Belt - Rotation (105") .....	
2	610071	V-Belt Rotation (98") .....	
3	664556	V-Belt Rotation (114") .....	
4	610070	V-Belt Rotation (95") .....	
5	615643	Switch - Rack Stop (W/Roller)(Not Shown) .....	
6	610150	Stopper - Door (Rubber) .....	
7	610144	Switch - Door W/Plunger (Not Shown) .....	
8	613562	Joint - 90 Degree Angular Toggle (for Door Rod) .....	
9	616226	Nut ML6M 14 x 1,5 .....	
10	688719	Bar - Toggle .....	
11	616226	Nut ML6M 14 x 1,5 .....	
12	613562	Joint - 90 Degree Angular Toggle (for Door Rod) .....	
13	688719-1	Toggle Bar Assy.(Incls.items 8 thru 12) .....	
14	688845	Ramp (For Ovens W/Rack Lift) .....	
15	688846	Ramp (For Ovens W/Platform) .....	
16	688817	Bracket .....	
17	614189	Screw M6S 5 x 20 .....	
18	614822	Gasket - Lampglass .....	
19	610292	Lamp 40W (125 V.) .....	
20	610547	Lamp 40 W (240 V.) .....	
21	610331	Glass - Lamp (Slotted - 5¼) .....	
22	688820	Cup - Mounting .....	
23	683979	Disc - Insulator (Behind Lamp Assy.) .....	
24	610158	Base - Round .....	
25	688820	Cup - Mounting .....	
26	683979	Disc - Insulator (Behind Lamp Assy.) .....	
27	687758	Lamp Socket (Square Style) .....	
28	688880	Guard Assy.(Incls. Screws, Guard & Spacers) .....	
29	617699-1	Knob - Timer (Red) .....	
30	687819	Timer - Steaming (90 Second, 115 - 220V., 60 Hz.) .....	
31	617699	Knob - Timer (With Screws) .....	
32	687818	Timer - Baking (60 Min., 115 - 220 V., 60 Hz.) .....	
33	610133	Thermostat (F) .....	
34	655002	Knob - Damper Rod .....	
	688777	Key (To Open Electrical Panel)(Not Shown) .....	

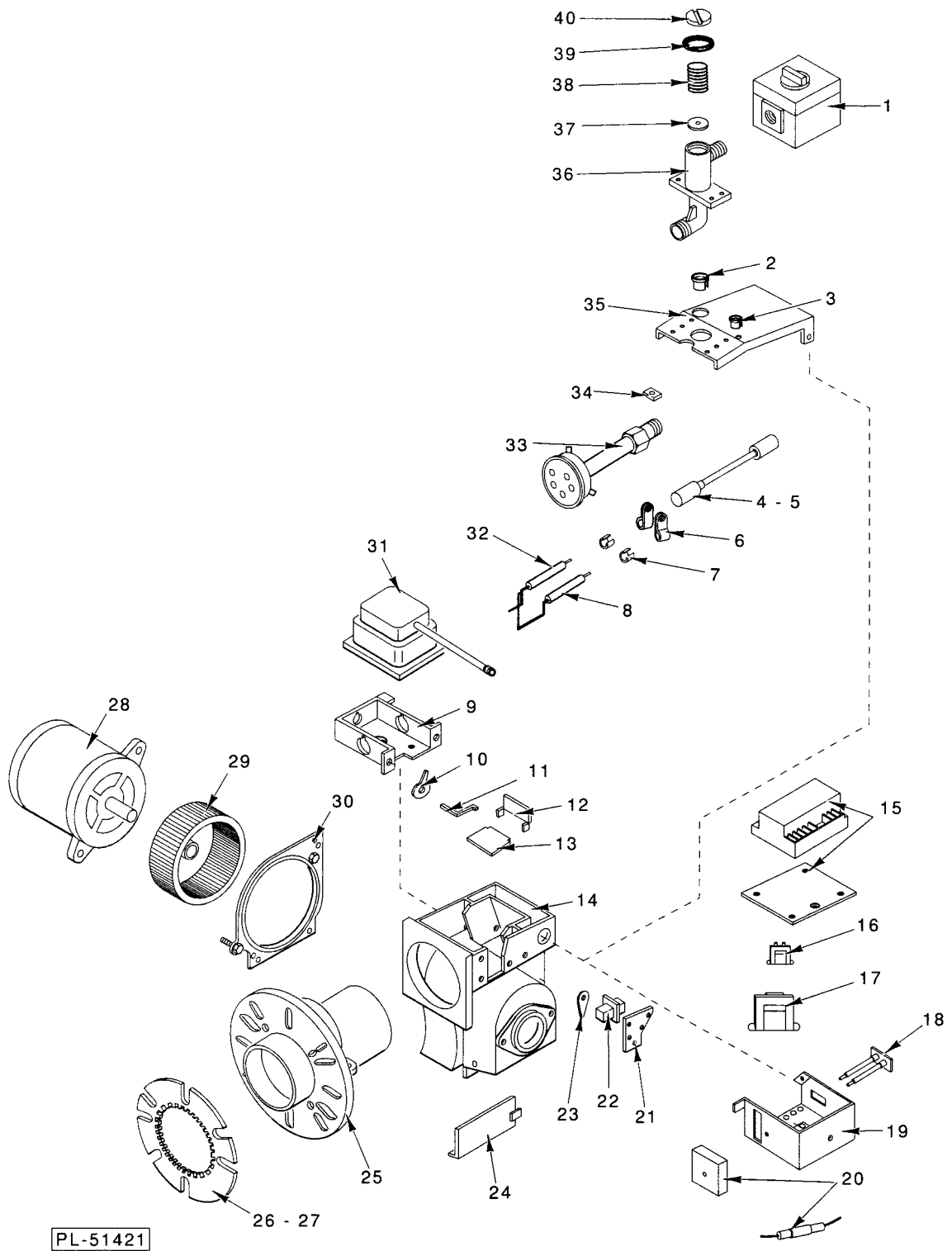


PL-51408

ROTATION DRIVE UNIT

### ROTATION DRIVE UNIT

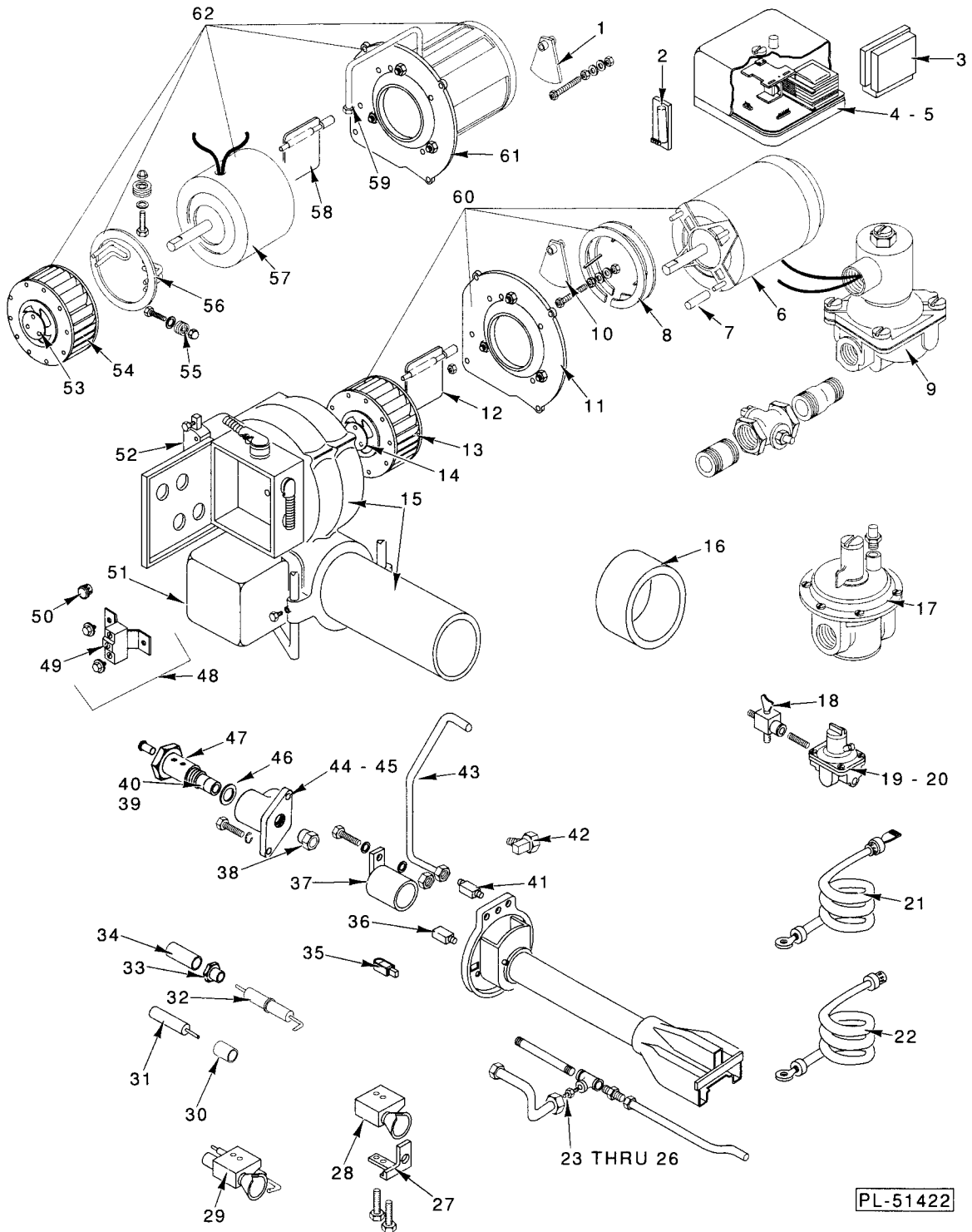
ILLUS. PL-51408	PART NO.	NAME OF PART	AMT.
1	688350	Screw M6S 6 x 16 .....	
2	688371	Washer TRSB 6.4 x 22 .....	
3	686704	Arm .....	
4	686709	Spring .....	
5	688296	Screw M6SF 8 x 16 .....	
6	688372	Holder .....	
7	688680	Belt Tension Assy. ....	
8	688303	Pulley - V-Belt 1A-63 .....	
9	688236	Gearbox 64:1 .....	
10	688296	Screw M6SF 8 x 16 .....	
11	688373	Plate - Mounting .....	
12	688370	Washer BRB 8.4 x 16 .....	
13	688237	Coupling .....	
14	688235	Motor (208 - 220/440 - 480V., 60Hz., ¼ HP) .....	
15	684528	Screw M6S 10 x 65 .....	
16	686706	Bushing .....	
17	688374	Roller .....	
18	686706	Bushing .....	
19	688331	Nut M6M 10 .....	



400 GAS BURNER

## 400 GAS BURNER

ILLUS. PL-51421	PART NO.	NAME OF PART	AMT.
1	688287	Valve - Gas 7000DERHC .....	
2	688282	Bushing - Strain Relief/Ignition Wire .....	
3	688281	Bushing - Strain Relief/Sensor Wire .....	
4	688279	Wire - Ignition 8" .....	
5	688278	Wire - Sensor 11" .....	
6	688277	Support - Electrode Bracket (Incls.items 7, 34 & Set Screws) .....	
7	688274	Bushing - Insulator .....	
8	688273	Sensor Probe Assy .....	
9	688270	Box - Junction .....	
10	688263	Pointer - Damper Indicator .....	
11	688267	Arm - Adjustment Off-Cycle Damper .....	
12	688269	Bracket - Off-Cycle Damper Mtg. ....	
13	688268	Plate - Off-Cycle Damper .....	
14	688250	Housing - Burner .....	
15	688262	Control - Primary Safety Without 30 Sec. Prepurge (S89E-1033)(See TSB-806) .....	
16	688261	Relay - Motor .....	
17	688260	Transformer 24 Volt .....	
18	688266	Strip - Thermostat Terminal .....	
19	688258	Box - Control .....	
20	688259	Timer With Resistor Wire Assy. (See TSB-806) .....	
21	688265	Switch Mounting Plate Slot Cover Assy .....	
22	688264	Switch - Air Proving .....	
23	688263	Pointer - Damper Indicator .....	
24	688257	Damper - Combustion Air Inlet .....	
25	688251	Tube - Air (6¼") .....	
26	688253	Gasket - Flange .....	
27	688252	Adjustable Flange Assy .....	
28	688256	Motor - Split Phase ½ or ¼ HP., 3450 RPM, 115V/60 .....	
29	688254	Wheel - Blower 5½" OD .....	
30	688255	Plate - Side .....	
31	688271	Transformer - Ignition 7500V .....	
32	688272	Electrode Assy .....	
33	688275	Manifold - Chamber 6¼" .....	
34	688276	Clip - Electrode Bracket .....	
35	688280	Plate - Top/Housing Cover .....	
36	688283	Housing - Orifice .....	
37	688289	Orifice (.468" Drill) .....	
38	688284	Spring - Orifice .....	
39	688285	Gasket - Orifice .....	
40	688286	Cap - Orifice .....	



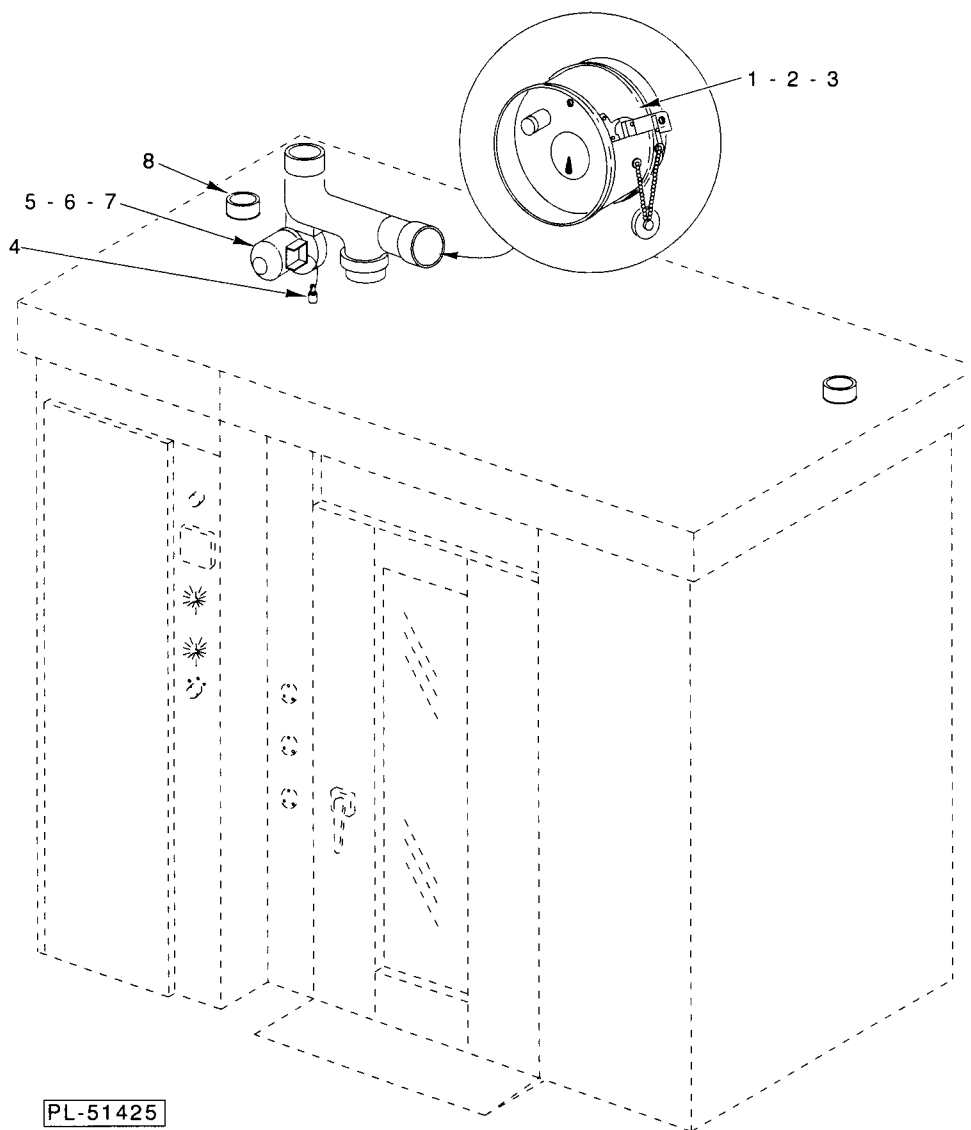
PL-51422

**BURNER  
(F-400-33 AND 400-33)(MIDCO)**

**BURNER**  
**(F-400-33 AND 400-33)(MIDCO)**

ILLUS. PL-51422	PART NO.	NAME OF PART	AMT.
1	687761	Quadrant - Air Shutter Adjustment .....	
2	610126	Timer - Prep. (30 Sec.) .....	
3	610053	Amplifier .....	
4	688382	Protectorelay (RA890F) .....	
5	610246	Control (Honeywell) .....	
6	618885	Motor 1/8 HP, 120/1/60 .....	
7	688390	Spacer - Motor .....	
8	688493	Grill - Blower Inlet .....	
9	618889	Valve - Main Automatic (1" NPT) .....	
10	687761	Quadrant - Air Shutter Adjustment .....	
11	688486	Plate - Inlet Side .....	
12	688375	Shutter - Internal Air .....	
13	618887	Wheel - Blower (With Centrifugal Actuator and Disc) .....	
14	688377	Disc - Centrifugal Actuator .....	
15	688385	Blower Housing and Burner Tube Assy (9") (F400-33) .....	
16	687951	Sleeve - Stainless (4" Dia.) .....	
17	610108	Regulator - Main Gas Pressure 1 1/4" .....	
18	688045	Pilot (1/8 NPT) ("B" Cock) .....	
19	683488	Regulator - Pilot (1/8" NPT) .....	
20	687119	Regulator - Pilot 3/4" NPT .....	
21	687533	Wire - Flamerod 15" Burner Tube .....	
22	687638	Cable - Spark 15" Burner Tube .....	
23	683206	Spud - Pilot #55 (.052 Drill) (Natural and Propane) .....	
24	683205	Spud - Pilot #68 (.031 Drill) (Natural and Propane) .....	
25	688494	Spud - Pilot (.021) (Propane) .....	
26	688495	Spud - Pilot (.032) (Natural) .....	
27	687528	Baffle - Pilot Air .....	
28	687635	Tip - Pilot (With Cone, Less Insulators, Rods, Temflex & Baffle) .....	
29	687529	Pilot Assy. (Incls.items 25, 26 & 28 thru 32) .....	
30	688490	Sleeve - Spark Rod Insulator .....	
31	618893	Spark Rod Assy .....	
32	618892	Flamerod Assy .....	
33	687527	Nut - Flame Rod Gland .....	
34	687530	Temflex 105 (1/16" Tube Fitting - Air Line) .....	
35	687532	Relief - Strain (Spark Rod Wire) .....	
36	688379	Pass-Thru (1/2" Sq. for 1/4" Tube Fitting - Air Line) .....	
37	688485	Primary Air Shutter Kit .....	
38	688388	Spud - Main 29/64" Drill (.390) (Natural) .....	
39	688389	Spud - Main #21 Drill (.159) (Propane) .....	
40	689386	Extension - Main Spud .....	
41	688380	Pass-Thru (3/16" Tube Fitting - Air Line) .....	
42	687531	Relief - Strain (Flame Rod Wire) .....	
43	688378	External Pilot Air Tube Kit .....	
44	688492	Elbow - Orifice (1" NPT) (F400-33) .....	
45	688484	Elbow - Orifice (3/4" NPT) (400-33) .....	
46	688384	Gasket - Orifice Holder Sealing .....	
47	688376	Holder - Main Orifice .....	
48	618895	Switch - Blower Interlock (With Bracket) .....	
49	618895	Switch - Blower Interlock (With Bracket) .....	
50	688386	Bushing - Snap (Control Box) .....	
51	618891	Transformer - Ignition (120/1/60) .....	
52	618896	Valve - Pilot Solenoid .....	
53	688377	Disc - Centrifugal Actuator .....	
54	618898	Wheel - Blower (With Centrifugal Actuator and Disc) .....	
55	688404	Mount - Rubber (With Nuts) .....	
56	688396	Ring - Motor Mounting (Less Rubber Mounts and Nuts) .....	
57	618894	Motor (120/1/60) (Less Mounting Ring and Rubber Mounts) .....	
58	688375	Shutter - Internal Air .....	
59	688395	Conduit - Motor (With Hardware) .....	
60	688391	Motor Wheel & Slide Plate Assy. (120/1/60)(F400-33)(Incls.items 6,8,11,13 & 14) .....	
61	688486	Plate - Inlet Side .....	
62	688403	Motor Wheel & Side Plate & Cage Assy. (400-33)(Incls.items 51,52,54,55 & 59) .....	
*	618096	Flange - Mounting 4" .....	
*	688491	Extension - Accessory Blast Tube (4" Long) .....	
*	688387	Extension - Accessory Blast Tube (8" Long) .....	
*	686231	Kit (Converts Natural Burner to Propane) .....	
*	494400	Spud - Blank .....	
*	841637	Arrestor - Surge .....	
*	689386	Extension - Main Spud .....	

\* Not Shown.

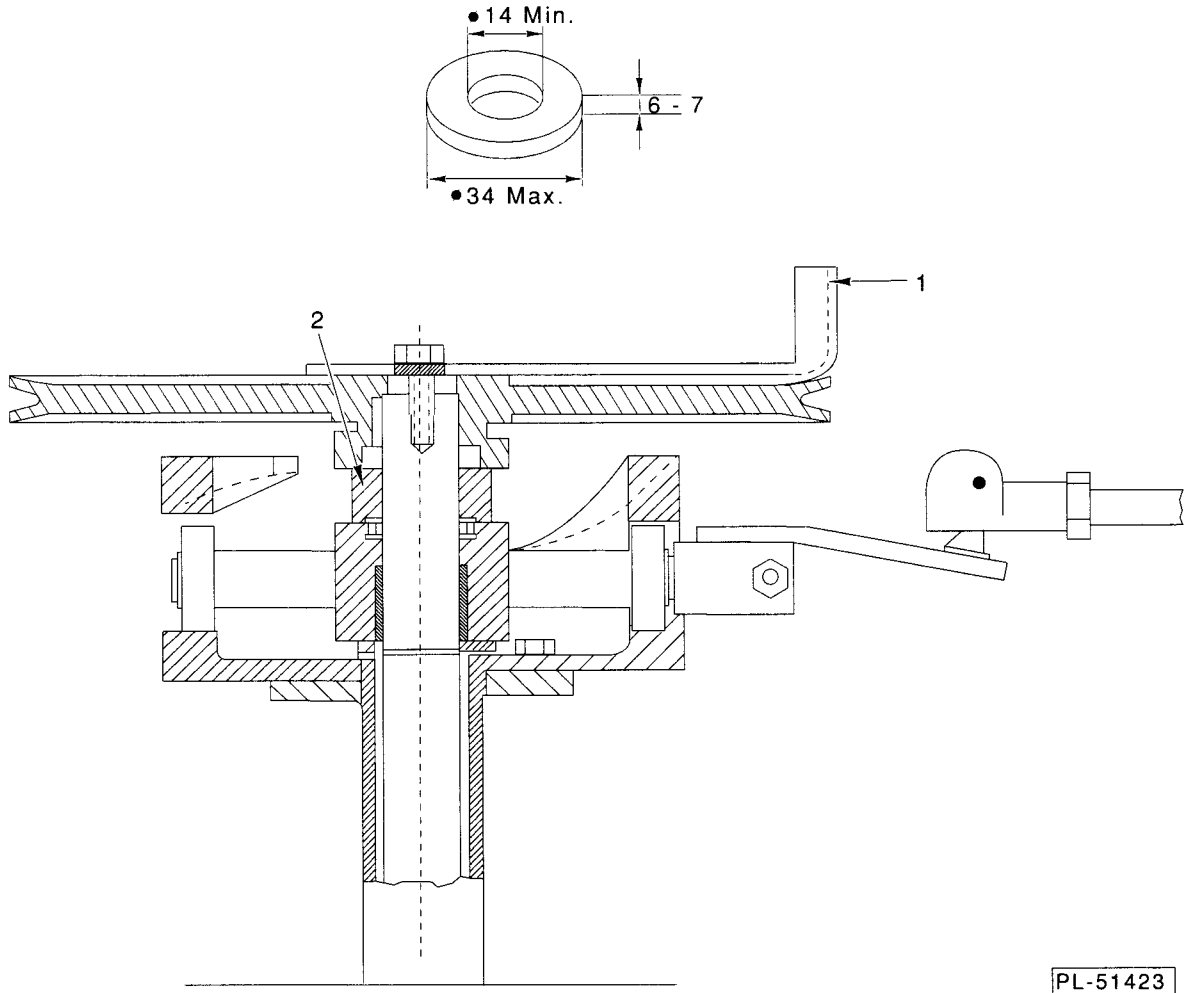


PL-51425

### DAMPERS

ILLUS.	PART NO.	NAME OF PART	AMT.
1	616597	Damper - Barometric 8" (Gas) .....	
2	613589	Damper - Barometric 8" Oil .....	
3	616598	Damper - Barometric 10" Gas or Oil .....	
4	684320	Switch - Air .....	
5	687483	Motor Horizontal Run .....	
6	616595	Inducer - Draft (Standard Run Up to 15') .....	
7	686062	Inducer - Draft (16' to 100') .....	
8	687801	Evacuation - Steam .....	

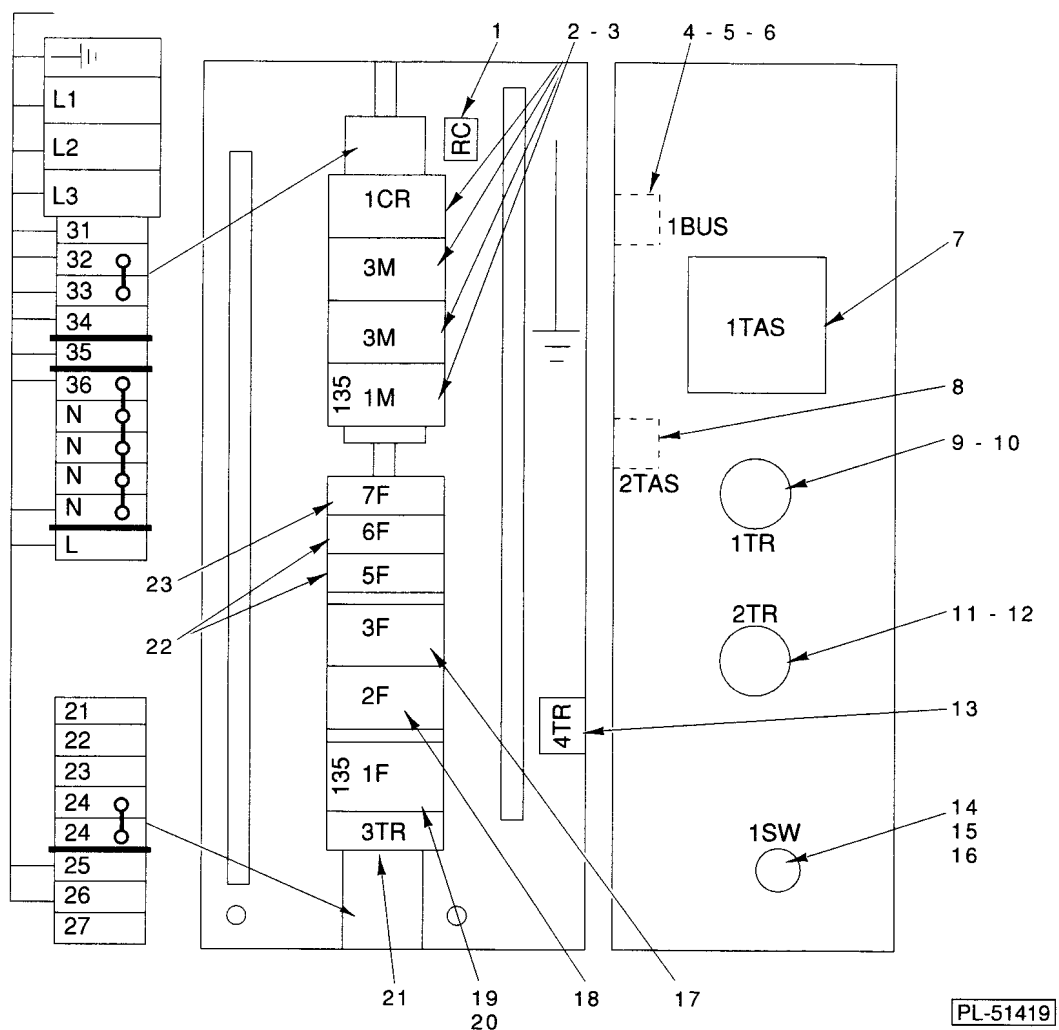




PL-51423

**RACK LIFT PULLEY**

ILLUS. PL-51423	PART NO.	NAME OF PART	AMT.
1	629857	Actuator .....	
2	688230	Spacer .....	



**ELECTRICAL COMPONENTS**

## ELECTRICAL COMPONENTS

ILLUS. PL-51419	PART NO.	NAME OF PART	AMT.
1	688921	Suppressor - Voltage (RC) .....	
2	683809	Contactora (ASEA)(1CR, 3M, 1M) .....	
3	688708	Contactora (Klock - Moeler)(1CR, 3M, 1M) .....	
4	613542	Buzzer (110 V.)(Strap Mounted)(Edwards)(1 Bus) .....	
5	687193	Buzzer (220 V.)(Strap Mounted)(Edwards)(1 Bus) .....	
6	688214	Buzzer (110 V.)(Sonalert)(1 Bus) .....	
7	610133	Thermostat (1TAS) .....	
8	616020	Hi-Limit Switch (2TAS) .....	
9	686818	Timer - Bake (1TR) .....	
10	617699	Knob - Gray .....	
11	686819	Timer - Steam (2TR) .....	
12	617699-1	Knob - Timer (Red) .....	
13	688663	Relay - Time Delay (Draft Inducer)(4TR) .....	
14	683464	Switch - Selector (Norwesco)(1SW) .....	
15	683562	Switch - Selector (Klocker - Moeller)(1SW) .....	
16	687197	Switch - Selector (Klocker - Moeller)(Use W/Glass Back Panel)(1SW) .....	
17	688684	Motor - Starter (3F) .....	
18	688683	Motor - Start (2F) .....	
19	688681	Motor - Starter (1F)(Use with item 20) .....	
20	688682	Controls - Auxiliary .....	
21	688907	Relay - Time Delay (Steam)(3TR) .....	
22	683480	Breaker - Circuit (6 Amp)(5F/6F) .....	
23	688709	Breaker - Circuit (10 Amp)(7F) .....	

**MISCELLANEOUS CONTROLS**

ILLUS. PL-51424	PART NO.	NAME OF PART	AMT.
1	610066	Block - Terminal .....	
2	610374	Contact .....	
3	683698	Contact .....	
4	683477	Contact - Auxiliary .....	
5	689218	Switch - Main .....	
6	610379	Connector 1/2 x 90 .....	
7	610380	Connector 3/8 x 90 .....	
8	615639	Switch - Limit .....	
9	616020	Switch - Limit Temperature .....	
10	618853	Element - Heating 4300W, 220V. ....	
11	664504	Element - Heating 4300W, 480V. ....	
12	664541	Valve - Solenoid 120V. ....	
13	664648	Filter - Water Conditioner .....	
14	677157	Fuse 6-1/4A, 250V. ....	
15	677159	Fuse 10A, 250V. ....	
16	677160	Fuse 15A, 250V. ....	
17	683061	Control - Over-Temp. ....	
18	683809	Control 115V., 60Hz., ASEA .....	
19	683375	Relay - Overload .....	
20	683376	Relay - Overload .....	
21	683377	Relay - Overload .....	