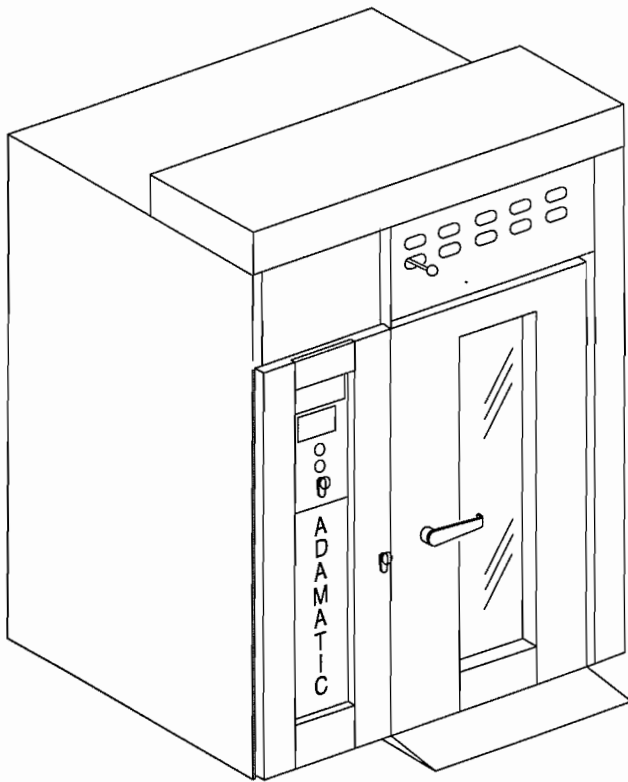


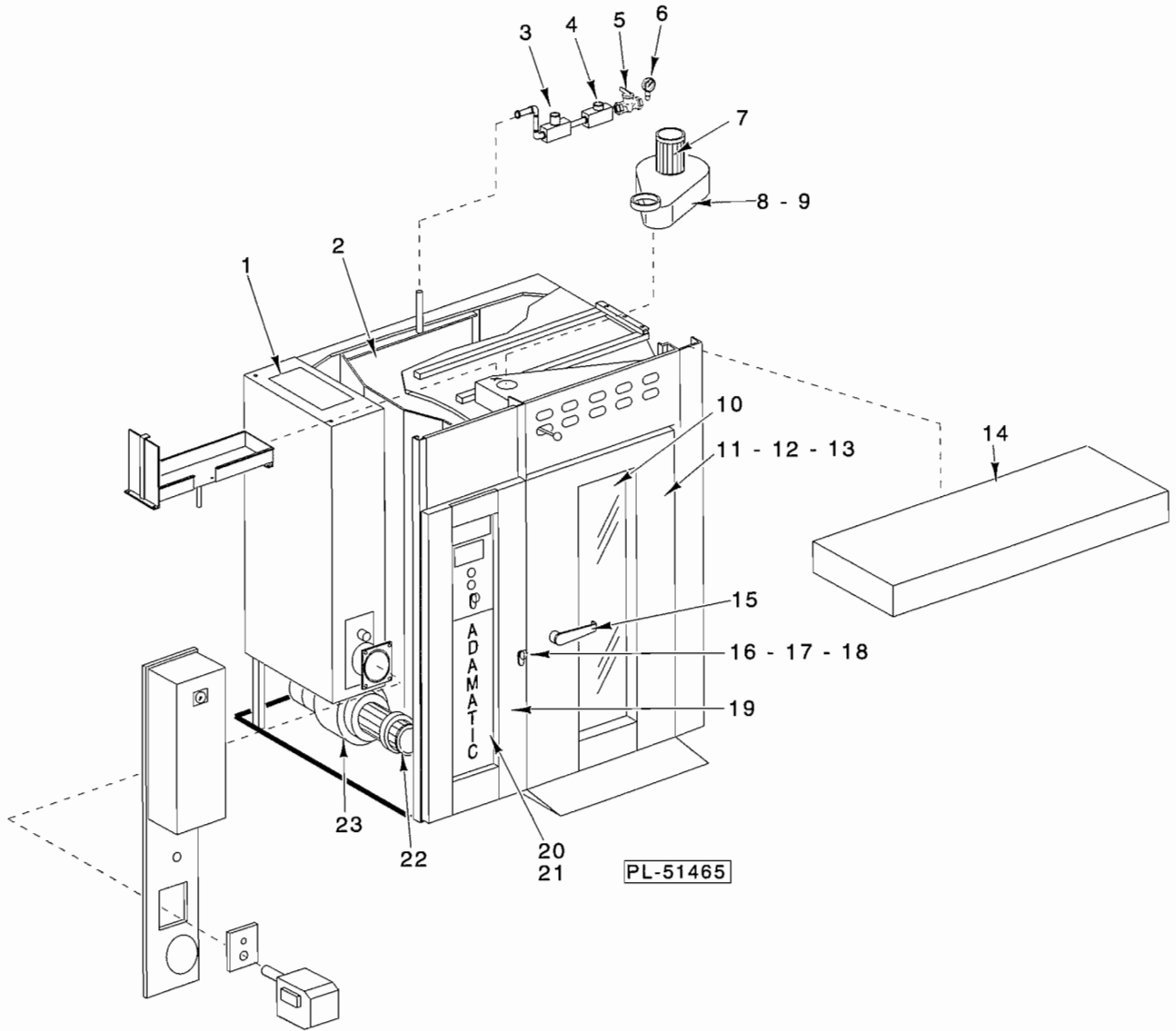
CATALOG OF REPLACEMENT PARTS

Model CRO-E ELECTRIC RACK OVEN



ADAMATIC

A **HOBART** CORPORATION COMPANY

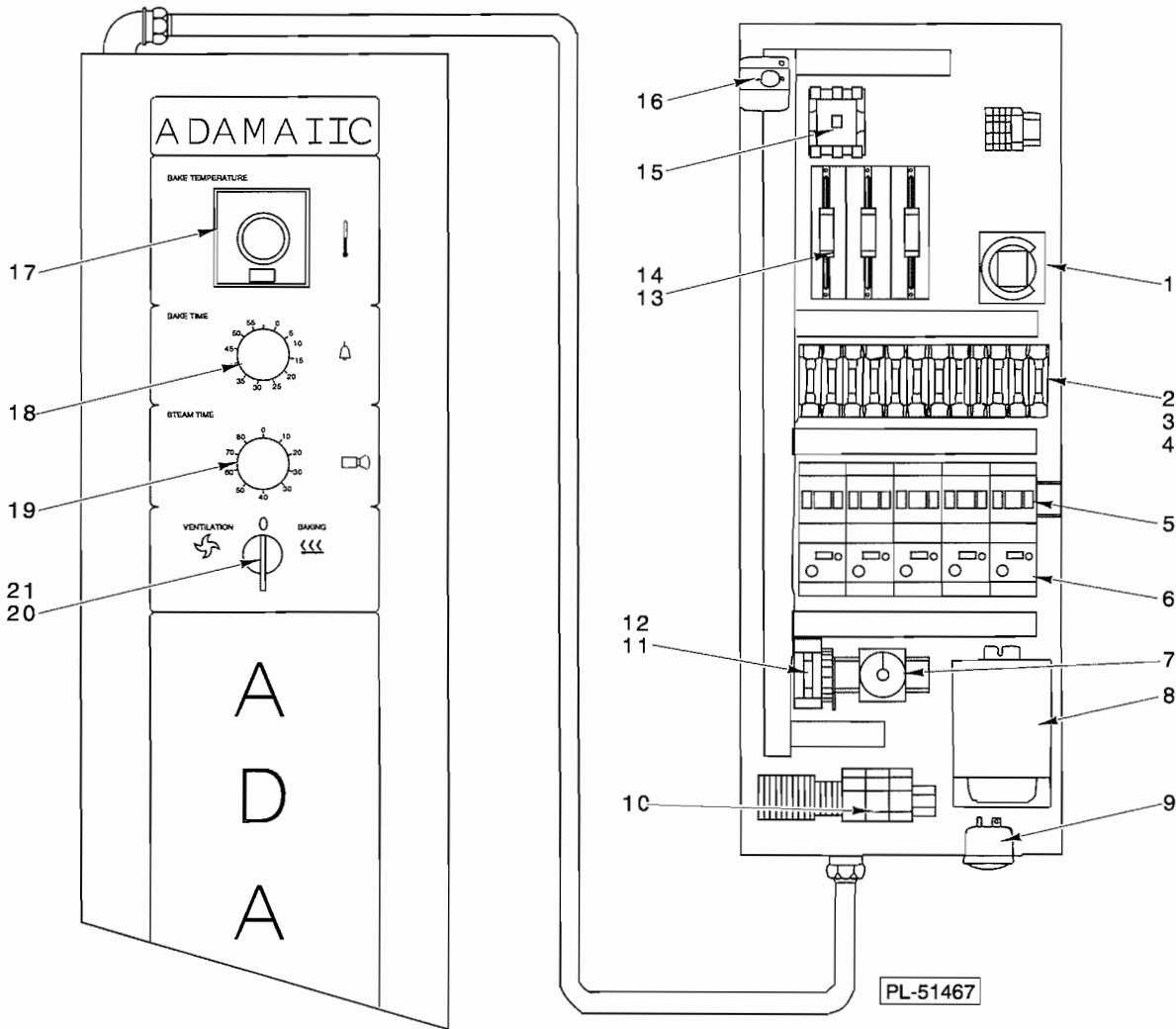


OVERVIEW

OVERVIEW

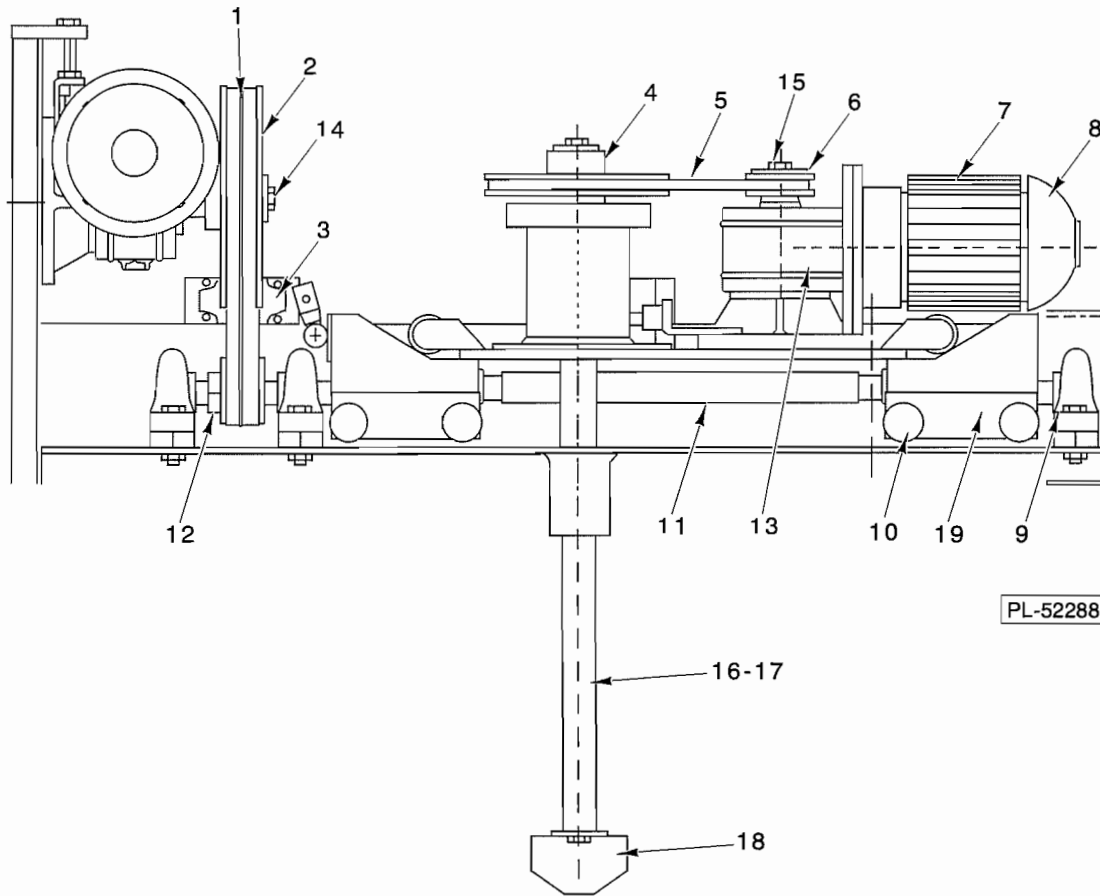
ILLUS. PL-51465	PART NO.	NAME OF PART	AMT.
1	00-688544	Elements - Heating (Set of 6)	1
2	00-688592	Generator - Steam	1
3	00-688552	Filter - Magnet Solenoid Valve	1
4	00-688550	Valve - Water Solenoid	1
5	00-690799	Regulator - Pressure	1
6	00-690800	Gauge - Pressure	1
7	00-688543	Aspirator - Steam Suction W/Motor	1
8	00-688562	Motor - Steam Suction	1
9	00-688563	Motor - Steam Suction-W/Impeller	1
10	00-688546	Glass - Door (Rectangular)	1
11	00-688572	Door - Oven Baking	1
12	00-688576	Gasket - Oven (Set)	1
13	00-688881	Hinge - Upper	1
14	00-688549	Hood - Oven (Complete)	1
15	00-688564	Handle - Door	1
16	00-688548	Bearing - Door Lock	1
17	00-688578	Lock, Control Board Door	1
18	00-688577	Lock - Door W/Handle & Bearing	1
19	00-688573	Door - Control Board	1
20	00-688574	Box - Control (Complete)(Mounted Behind Panel)	1
21	00-688656	Panel - Blue	1
22	00-688559	Motor - Fan	1
23	00-688558	Motor - Fan W/Impeller	1

MODEL CRO-E REPLACEMENT PARTS



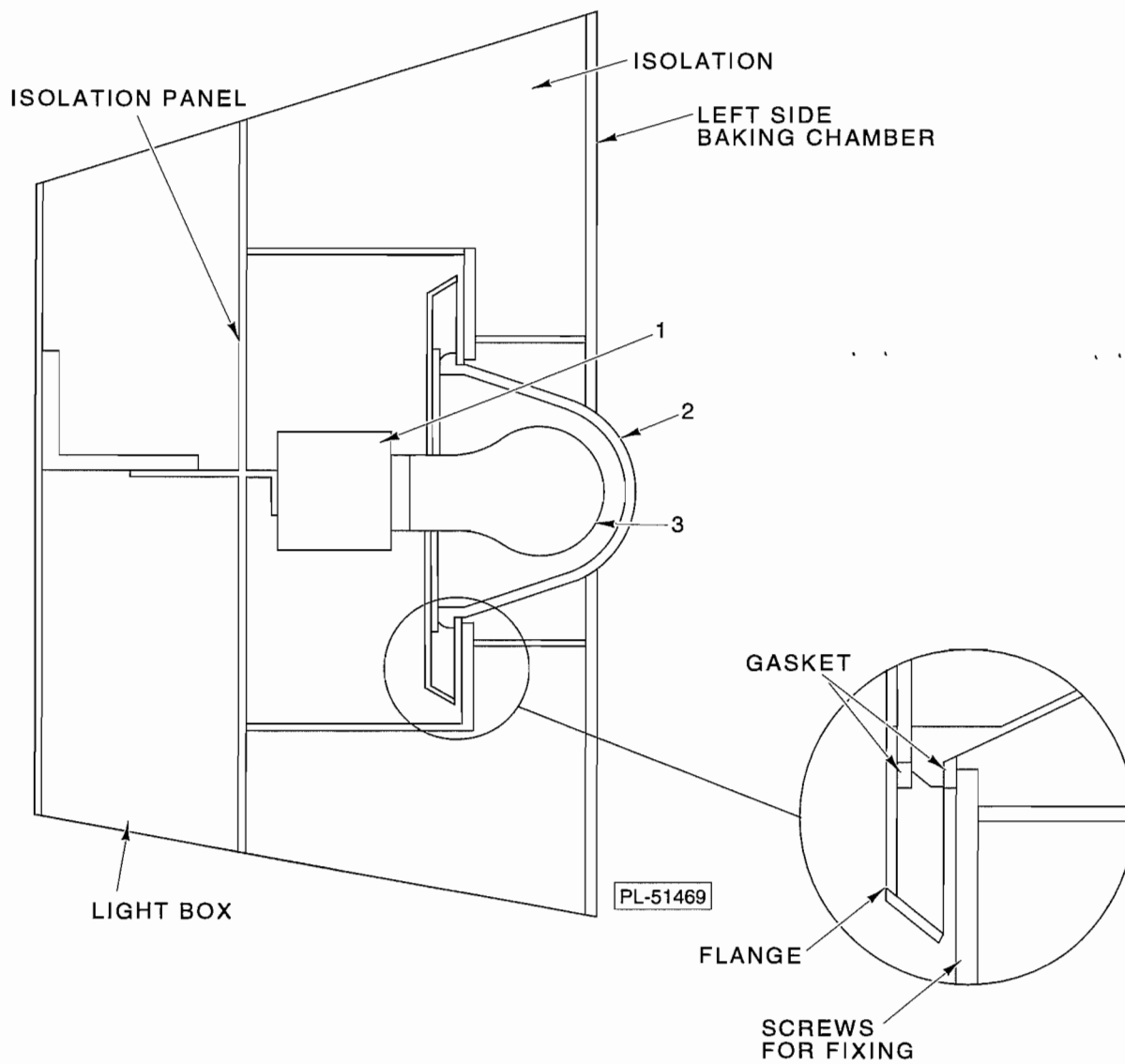
CONTROL PANEL

ILLUS. NO.	PART NO.	NAME OF PART	AMT.
1	00-688556	Switch - Main (For Electric Heated Oven)	1
2	00-688570	Fuse Holder	12
3	00-677169	Fuse (10 Amp/250 V.)	9
4	00-688664	Fuse (6 Amp/250 V.)	3
5	00-688588	Contactor	5
6	00-688589	Relay - Thermal (Motor Protection)(1.6 - 2.5 Amps)	4
7	00-688585	Timer - Steam/Baking (Mechanical)(Set in Seconds)	1
8	00-688586	Transformer	1
9	00-688580	Alarm - Sound	1
10	00-688575	Relay	3
11	00-688570	Fuse Holder	1
12	00-613441	Fuse (4 Amp/250 V.)	1
13	00-688569	Fuse Holder	3
14	00-688663	Fuse 80 Amp	3
15	00-688587	Contactor - Heater Element	1
16	00-688583	Switch - Hi-Limit	1
17	00-610133	Thermostat (F)	1
18	00-688590	Timer - Baking	1
19	00-688591	Timer - Steam	1
20	00-688579	Switch (3 Positions)	1
21	00-688714	Knob - Main Switch	1



LIFTING DEVICE

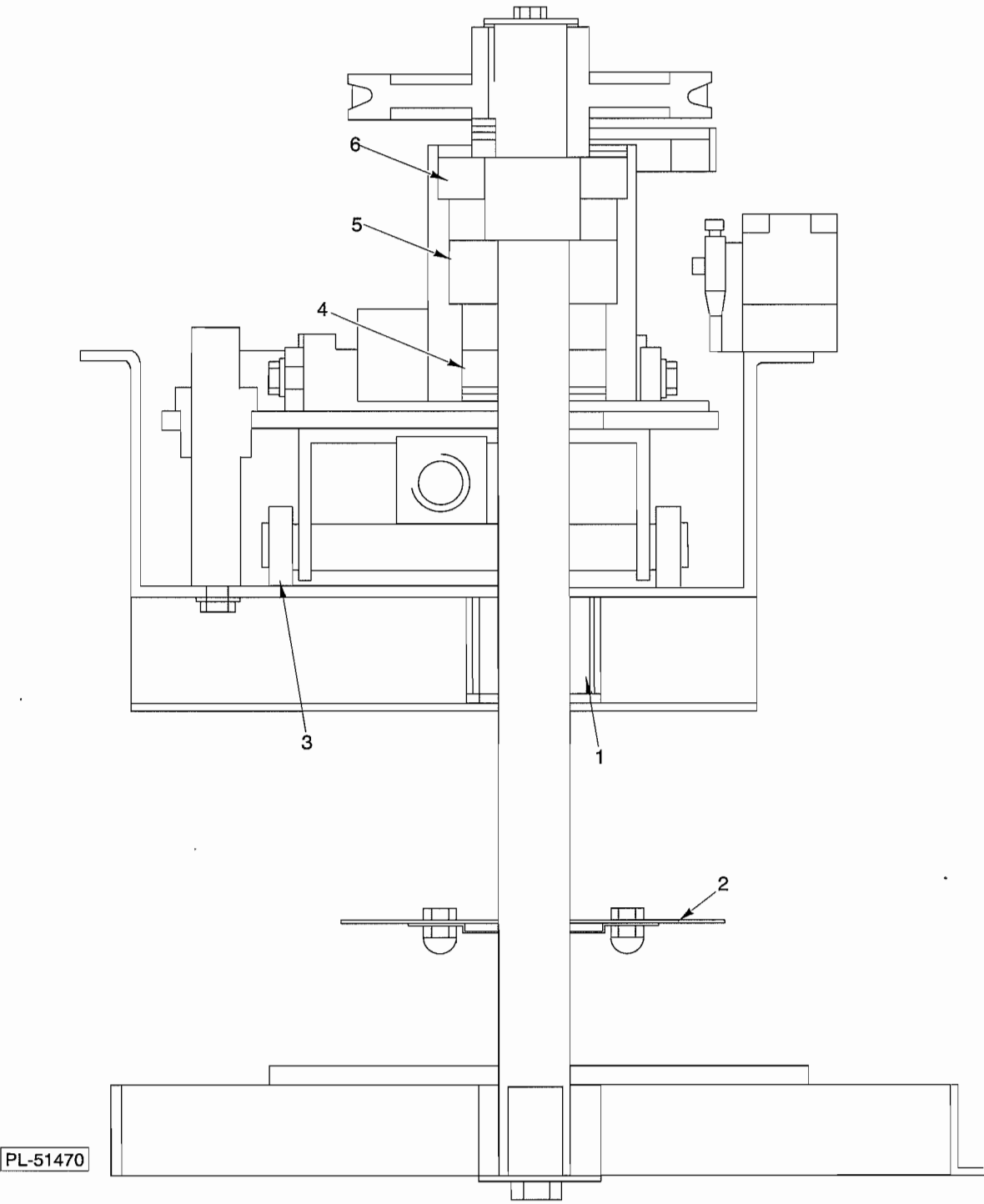
ILLUS. PL-52288	PART NO.	NAME OF PART	AMT.
1	00-611734	Belt - Lifting	1
2	00-688566	Pulley - Lifting Engine	1
3	00-688551	Switch - Door & Rack Limit	1
4	00-688567	Pulley - Connection Rotation	1
5	00-688593	Belt - Rotation	1
6	00-688565	Pulley - Rotation Engine	1
7	00-688560	Rack Gear Motor Assy. (Incls. item 8)	1
8	00-688561	Motor Assy.	1
9	00-688581	Support - Lifting	AR
10	00-688582	Bearings (Rack or Lifting)	AR
11	00-688554	Screw (Lifting)	AR
12	00-688568	Pulley - Connection Lifting	1
13	00-688560-00001	Gearbox - Rackturn/Racklift	1
14	00-793870	Shaft - Racklift for Double Pulley	1
15	00-793869	Shaft - Rackturn for Single Pulley	1
16	00-688553-00001	Shaft - Main Lift (Standard Length)	1
17	00-792792	Shaft - Main Lift (Special Length)	1
18	00-688702	Device - Centering	1
19	00-793855	Sled Lifting Assy.	1



LIGHTS

ILLUS.	PART NO.	NAME OF PART	AMT.
1	00-688571	Holder - Lamp Ceramic	1
2	00-688545	Cup - Shaped - Light Glass	1
3	00-688557	Lamp - Oven Illumination (60 W., 110 V.)	1

Note: Units from serial number 95030028 and up use 45mm Dia. bulb.



PL-51470

LIFTING SHAFT

ILLUS.	PART	NAME OF PART	AMT.
PL-51470	NO.		
1	00-688904	Bushing	1
2	00-688910	Support - Flange	1
3	00-688582	Bearings (Rack or Lifting)	2
4	00-688899	Bearing	1
5	00-688900	Bearing	1
6	00-686512	Bearing	1