

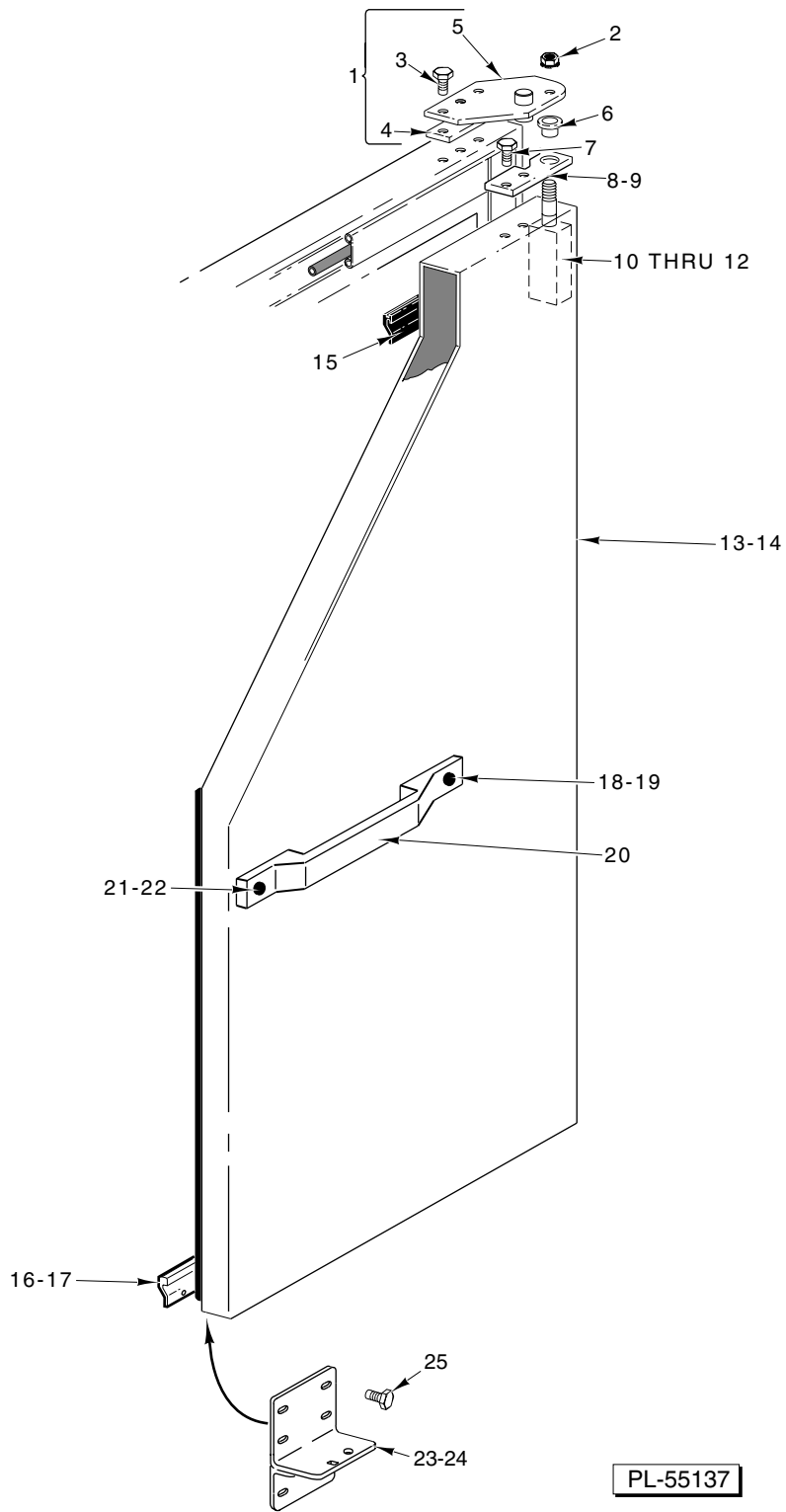


CATALOG OF REPLACEMENT PARTS



PEQ SERIES PROOFERS

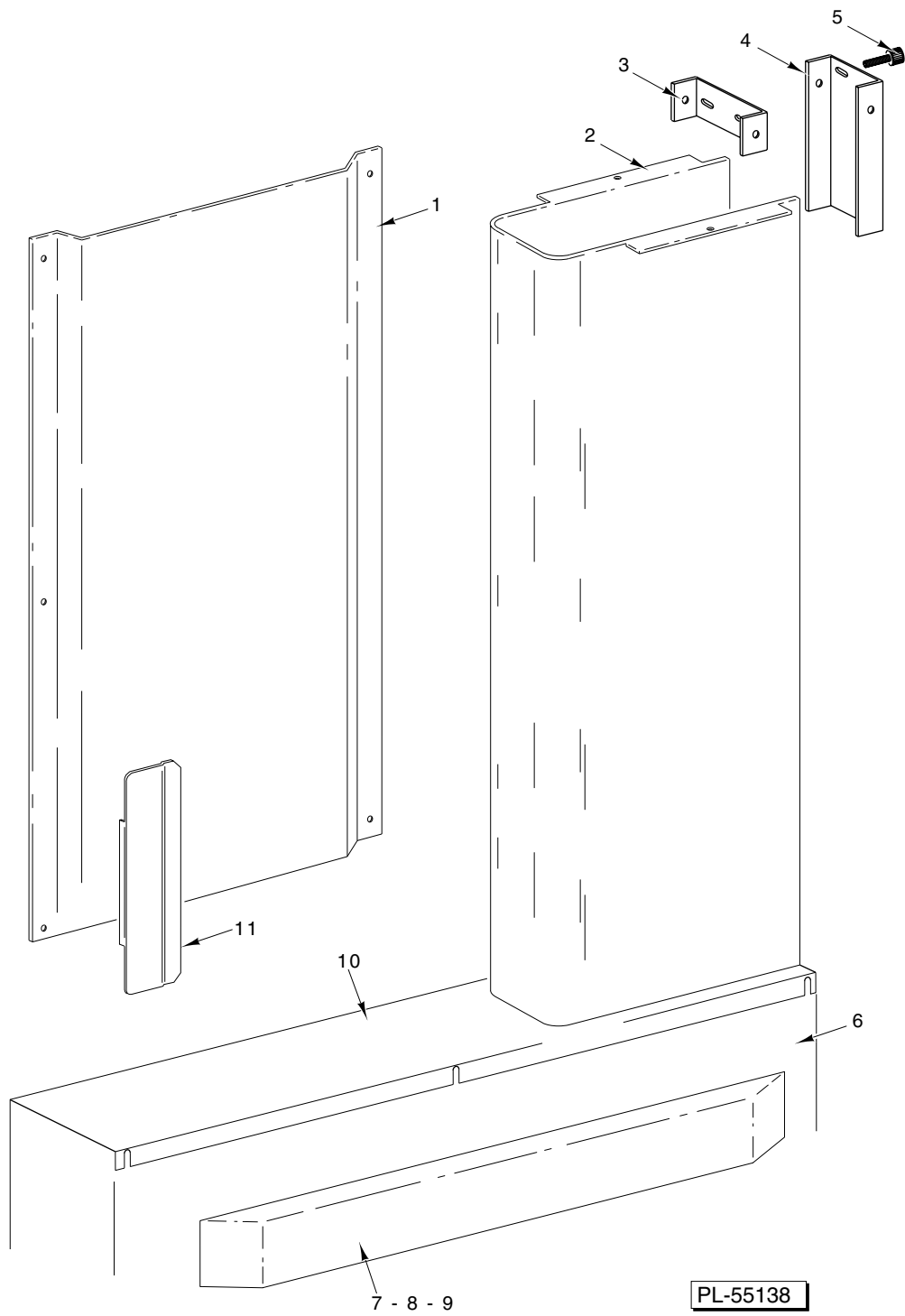
PEQ1	ML-111037
PEQ2	ML-111038
PEQ3	ML-111039



DOOR ASSEMBLY

DOOR ASSEMBLY

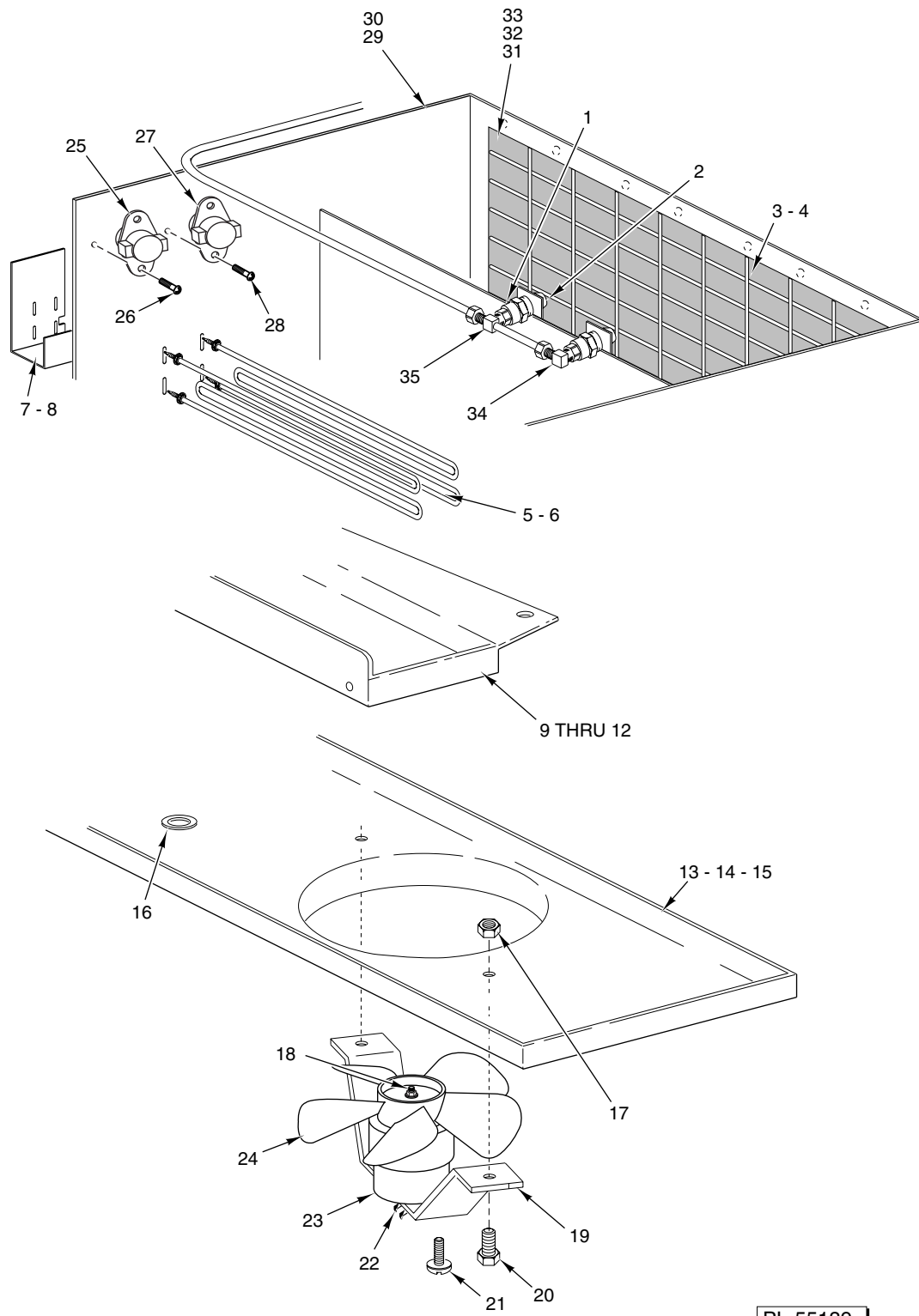
ILLUS. PL-55137	PART NO.	NAME OF PART	AMT.
1	00-267261-00018	Hinge Assy. (Incls. items 3, 4 & 5)	1
2	NS-048-66	Nut - Stop 1/4-28	1
3	SD-038-71	Screw - Drive 5/16-18 Type TT	3
4	00-265716	Plate - Washer Hinge (Solid Doors, Upper Hinge)	3
5	00-283065	Plate - Mounting Hinge Door	1
6	00-239558	Bushing - Door Stop	2
7	SD-039-12	Screw - Drive 10-24 Type T	4
8	00-239665	Stop - Door (L.H.)	1
9	00-239666	Stop - Door (R.H.)	1
10	00-239157	Hinge Mechanism Assy.	2
11	SA-021-45	Mach. Screw 10-32 x 5/16 Assy.	4
12	WS-019-20	Washer	1
13	00-283300-00001	Face - Door (L.H.) (SST)	1
14	00-283300-00002	Face - Door (R.H.) (SST)	1
15	00-283089-00002	Gasket - Door	1
16	SD-033-32	Self-Tapping Screw 8 x 7/8 Phil. Truss Hd., Type A	5
17	00-432344	Wiper Assy.	1
18	PB-004-26	Plug Button	3
19	SD-038-70	Screw - Drive 10-24 Type T	1
20	00-281548	Handle - Door (Horiz.)	1
21	SC-126-55	Mach. Screw 10-32 x 1 1/2	2
22	FE-019-01	Bushing - Electrical Heyco 2073	1
23	00-282259-00001	Bracket Hinge Assy. (LH)	1
24	00-282259-00002	Bracket Hinge Assy. (RH)	1
25	SD-038-34	Screw - Drive 1/4-20 Type F	6
	00-283303-00001	Ramp - Door (L.H.)	1
	00-283303-00002	Ramp - Door (R.H.)	1
	00-432436	Retainer - Ramp	1
	SD-033-34	Screw - Drive 10-24 Type D (Mounts Retainer Ramp to Cabinet)	4



CABINET

CABINET

ILLUS. PL-55138	PART NO.	NAME OF PART	AMT.
1	00-281937	Duct - Air (Down) (PEQ1 Only)	1
2	00-267569-00002	Duct - Down SST (PEQ2 & 3)	1
3	00-283274	Bracket - Tapping (PEQ2 & 3)	3
4	00-283277	Support - Bracket Duct Assy. (PEQ1, 2 & 3)	1
5	00-266357-00003	Thumbscrew 10-32 (PEQ1, 2 & 3)	AR
6	00-281929	Duct - Partition (Side)	AR
7	00-281944	Bumper	6
8	00-281945	Bracket - Bumper Mounting	6
9	00-266357-00003	Screw - Thumb	6
10	00-281928	Duct - Partition (Top)	AR
11	00-282260	Guard - Scuff (SST) (2 Per Door Opening) 1	2
	00-267615-00002	Duct - Air Assy. SST (Incls. items 2 & 3) (PEQ2 & 3)	AR
	00-265780-00010	Insert - ADVEL (Alum.) (Use with item 2)	6

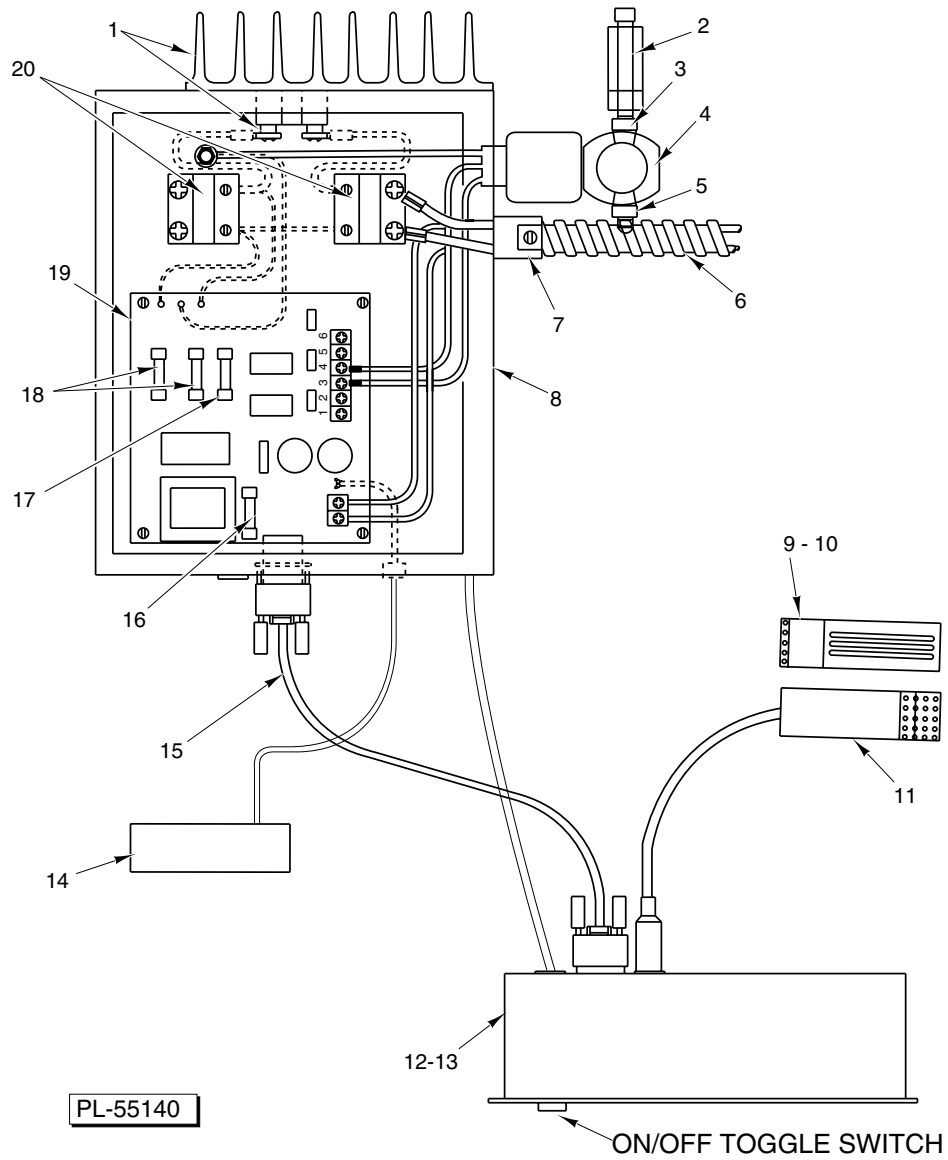


PL-55139

FAN ORIFICE ASSEMBLY

FAN ORIFICE ASSEMBLY

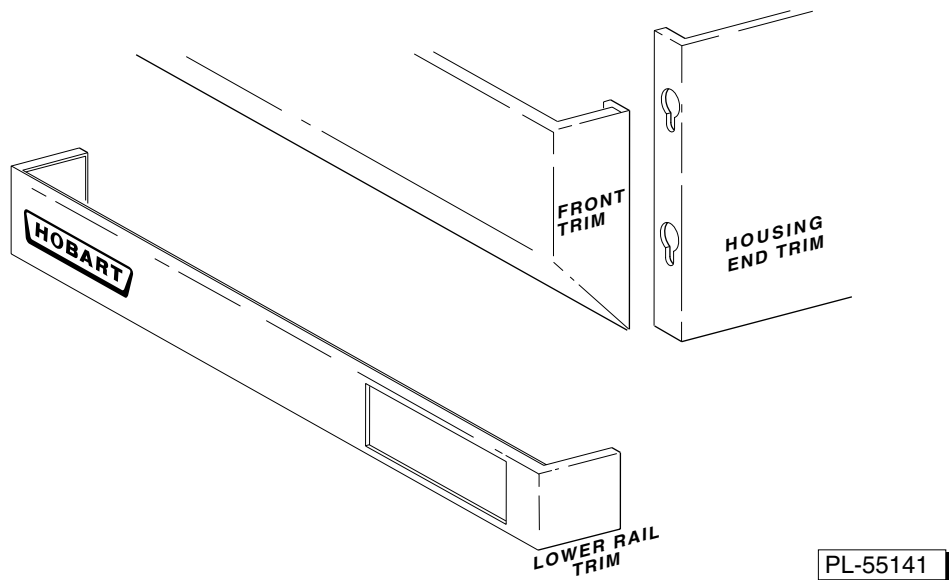
ILLUS. PL-55139	PART NO.	NAME OF PART	AMT.
1	00-281909	Adapter - Nozzle	AR
2	00-687926	Nozzle	AR
3	00-281903	Screen Assy. (PEQ 2 & 3)	1
4	00-281922	Screen Assy. (PEQ 1)	1
5	00-281914-00001	Heater (240 V., 2400 W) (24 $\frac{3}{4}$ Lg.) (PEQ 2 & 3)	2
6	00-281914-00003	Heater (204 V., 2400 W) (17 Lg.) (PEQ 1)	1
7	00-281919	Support - Heater (R.H.) (PEQ 2 & 3)	1
8	00-281918	Support - Heater (L.H.) (PEQ 2 & 3)	1
9	00-281942	Drain Pan Assy. (PEQ 1)	1
10	00-281940	Drain Pan Assy. (PEQ 2 & 3)	1
11	00-282747	Clip - Pan Support (PEQ 1)	2
12	SD-033-32	Self-Tapping Screw 8 x $\frac{7}{8}$ Phil. Truss Hd., Type A	8
13	00-282726	Orifice - Fan (PEQ 1)	1
14	00-282728	Orifice - Fan (PEQ 2)	1
15	00-282757	Orifice - Fan (PEQ 3)	1
16	FE-021-18	Relief - Strain Electrical	1
17	NS-047-86	Nut - Stop $\frac{1}{4}$ -20	AR
18	00-263339	Nut - Hex $\frac{1}{4}$ -20 "KEPS"	AR
19	00-282727	Bracket - Fan	AR
20	00-263175	Well Nut	AR
21	SC-115-68	Mach. Screw $\frac{1}{4}$ -20 x $\frac{3}{4}$ Hex Washer Hd.	AR
22	00-283024	Clip - Wire	1
23	00-281912	Motor - Fan	AR
24	00-265773-00001	Blade - Fan (9")	AR
25	00-282759	Switch - Limit (250F) (Manual Reset)	1
26	SD-032-31	Self-Tapping Screw 8-18 x $\frac{3}{8}$ Phil. Pan Hd., Type B	2
27	00-282746	Switch - Limit (200F) (Auto Reset)	1
28	SD-032-31	Self-Tapping Screw 8-18 x $\frac{3}{8}$ Phil. Pan Hd., Type B	2
29	00-282925	Retainer - Screen (PEQ 1)	1
30	00-282926	Retainer - Screen (PEQ 2 & 3)	1
31	00-281925	Screen (PEQ 1)	1
32	00-281906	Screen (PEQ 2 & 3)	1
33	SD-032-31	Self-Tapping Screw 8-18 x $\frac{3}{8}$ Phil. Pan Hd., Type B	AR
34	FP-087-75	Pipe - Union Elbow	1
35	FP-087-74	Pipe - Union Tee	1
	00-282746	Switch - Limit (200F) W/Automatic Reset (Use with item 9)	1
	00-282759	Switch - Limit (250F) W/Manual Reset (Use with item 9)	1
	SD-033-33	Self-Tapping Screw 8-18 x $\frac{3}{8}$ Phil Truss Hd., Type A	4
	00-281977	Filter Repair Kit (Incls. O-Rings & Filter Element) (Not Shown)	1
	00-281927	Orifice - Fan Assy. (PEQ 1) (Incls. items 13, 16 thru 24)	1
	00-281917	Orifice - Fan Assy. (PEQ 2) (Incls. items 14, 16 thru 24)	1
	00-281968	Orifice - Fan Assy. (PEQ 3) (Incls. items 15 thru 24)	2



CONTROLS

CONTROLS

ILLUS. PL-55140	PART NO.	NAME OF PART	AMT.
1	00-281974	Relay with Heat Sink	1
2	00-281911	Filter - Water Line	1
3	FP-087-77	Coupling	1
4	00-281913	Valve - Solenoid	1
5	FP-087-76	Union	1
6	00-282772-00002	Conduit	1
7	FE-002-04	Connector	1
8	00-281969	Box - High Voltage	1
9	00-282764	Shield - Sensor (PEQ 1)	1
10	00-282204	Shield - Sensor (PEQ 2 & 3)	1
11	00-281972	Sensor Probe (Incls. Cable)	1
12	00-281970	Control Panel Assy. (Proofer)	1
13	00-281971	Control Panel Assy. (Thaw Proofer)	1
14	00-281950	Control - Remote	1
15	00-281973	Cable	1
16	FE-009-26	Fuse - Glass (250 V. 1.5 Amp.) (Type AGC)	1
17	FE-009-25	Fuse (1/2 Amp)	1
18	FE-019-28	Fuse 250 V., 10 Amp	2
19	00-281980	Board	1
20	00-281979	Terminal Block	2



HOUSING END TRIM	PEQ1	PEQ2	PEQ3
ROLL IN	432329-1 (SST)		
ROLL IN	432329-2 (SLV)		
PASS THRU	432376-1 (SST)		
PASS THRU	432376-2 (SLV)		
FRONT TRIM			
	432330-1 (SST)	432330-5	423330-9 (SST)
	432330-2 (SLV)	432330-6	423330-10 (SLV)
TRIM RAIL (SST)			
REAR	282267-4	282267-5	282267-6
FRONT	282267-1	282267-2	282267-3

ML'S USED TO MAKE THIS CATALOG

ML-111037	PEQ1 ROLL-IN (SST CABINET)
ML-111038	PEQ2 ROLL-IN (SST CABINET)
ML-111039	PEQ3 ROLL-IN (SST CABINET)
ML-111040	PEQ1 SYSTEM
ML-111041	PEQ2 & 3 SYSTEM
ML-111043	PEQ1 ROLL-THRU (SST CABINET)
ML-111044	PEQ2 ROLL-THRU (SST CABINET)
ML-111045	PEQ3 ROLL-THRU (SST CABINET)
ML-111046	PEQ1 ROLL-IN (SILVER)
ML-111047	PEQ2 ROLL-IN (SILVER)
ML-111048	PEQ3 ROLL-IN (SILVER)
ML-111049	PEQ1 ROLL-THRU (SILVER)
ML-111050	PEQ2 ROLL-THRU (SILVER)
ML-111051	PEQ3 ROLL-THRU (SILVER)
ML-111052	PEQ1 ROLL-IN (SILVER/SST)
ML-111053	PEQ2 ROLL-IN (SILVER/SST)
ML-111054	PEQ3 ROLL-IN (SILVER/SST)
ML-111055	PEQ1 ROLL-THRU (SILVER/SST)
ML-111056	PEQ2 ROLL-THRU (SILVER/SST)
ML-111057	PEQ3 ROLL-THRU (SILVER/SST)

