



# CATALOG OF REPLACEMENT PARTS



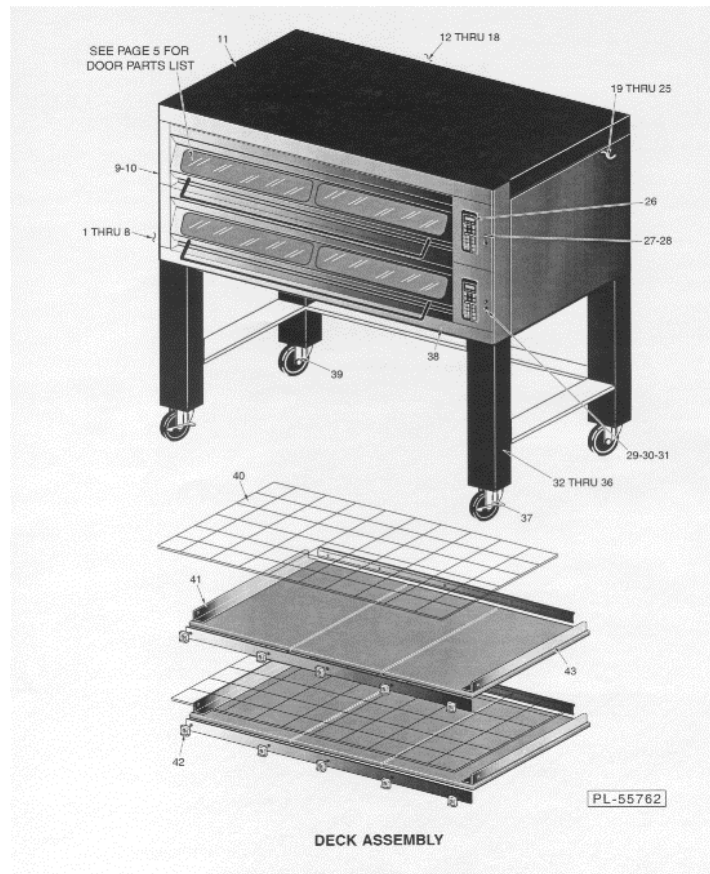
30781

**HBDO ELECTRIC DECK OVEN  
(ML's 132239, 132240, 132241,  
132242, 132243, 132244, 132245,  
132246, 132247, 132248, 132249 ,  
132250, 132279)**



### **Table of Contents**

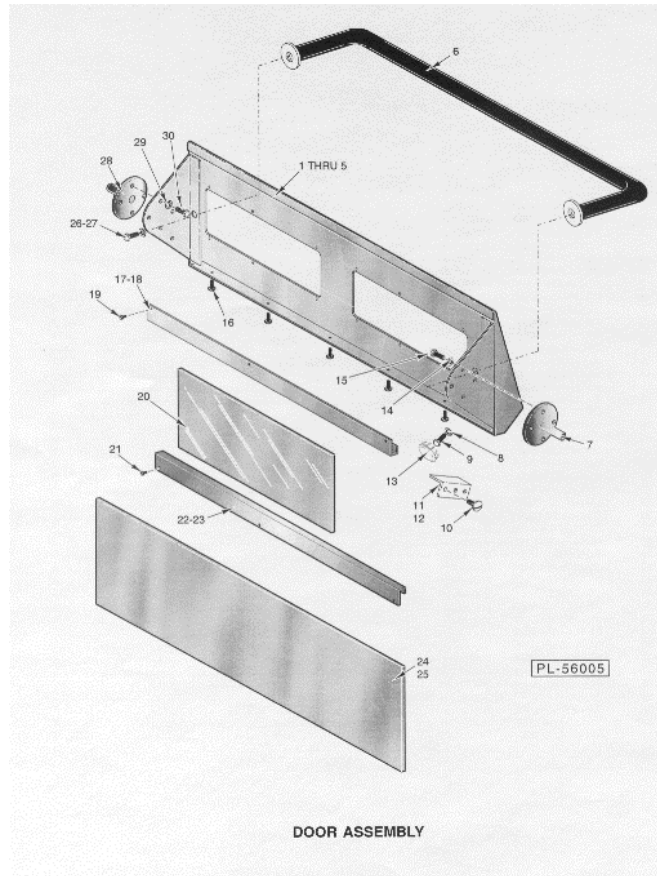
5	DECK ASSEMBLY
7	DOOR ASSEMBLY
9	DOOR MECHANISM
11	CONTROL PANEL
13	COMPONENT CONTROL PANEL
15	WATER FEED PLUMBING
17	DRAIN PIPE ASSEMBLY
19	HEATING ELEMENTS



## DECK ASSEMBLY

**DECK ASSEMBLY**

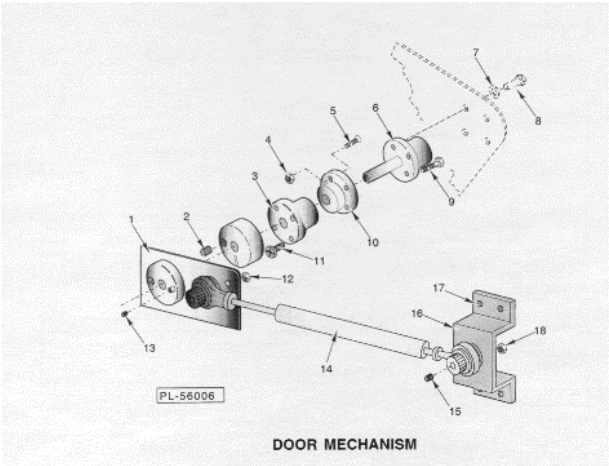
ILLUS.	PART NO.	NAME OF PART	AMT.
1	01-1M3139-00001	NLA - Obsolete--Side (LH) 10.....	2
2	01-1M3185-00001	Panel (LH) 10.....	1
3	01-1M3188-00001	Panel Side (LH) 8.....	1
4	01-1M3212-00002	Panel Side (LH & RH) 10.....	2
5	01-1M3226-00002	NLA - Obsolete--Panel Side (LH & RH) 8.....	2
6	01-1M3212-00001	Panel Side (LH & RH) 10 (SST).....	2
7	01-1M3226-00001	Panel Side (LH & RH) 8 (SST).....	2
8	01-1M3184-00001	NLA - Obsolete--Panel End (LH) 8.....	1
9	01-1M3142-00001	NLA - Obsolete--Holder - Insulation (LH) (8 In.).....	1
10	01-1M3143-00001	NLA - Obsolete--Holder - Insulation (LH) (10 In.).....	1
11	01-1M3202-00001	Panel - Top.....	1
12	01-1M3164-00001	NLA - Obsolete--Panel - Rear.....	1
13	01-1M3211-00002	NLA - Obsolete--Panel - Rear 10.....	1
14	01-1M3225-00002	NLA - Obsolete--Panel - Rear 8.....	1
15	01-1M3170-00001	NLA - Obsolete--Panel - Rear 8.....	1
16	01-1M3211-00001	Panel - Rear 10 (SST).....	1
17	01-1M3225-00001	Panel - Rear 8 (SST).....	1
18	01-1M3215-00001	Base - Top Rear (SST).....	1
19	01-1M3215-00001	Panel - Rear.....	2
20	01-1M3140-00001	End (RH) 8.....	1
21	01-1M3189-00001	Side (RH) 8.....	2
22	01-1M3193-00001	End (RH) 10.....	2
23	01-1M3191-00001	Side (RH) 10.....	2
24	01-1M3192-00001	Side (RH) 10 Steam.....	2
25	01-1M3190-00001	NLA - Obsolete--Side (RH) 8 Steam.....	2
26	01-100V10-00154	Controller.....	2
27	01-100V10-00158	Buzzer.....	2
28	SC-089-26	Cap Screw 5/16-24 x 1 1/4 Socket Hd.....	2
29	01-100V10-00157	Fuseholder.....	2
30	01-100V10-00173	Fuse (10 Amp.).....	2
31	SC-038-01	NLA - Obsolete--Cap Screw 10-24 x 1/2 Phil. Truss Hd.....	4
32	01-1M3157-00003	NLA - Obsolete--Leg.....	4
33	01-1M3157-00001	Leg Assy. (30 In.).....	4
34	01-1M3157-00002	NLA - Obsolete--Leg Assy. (22 In.).....	4
35	01-1M3157-00003	NLA - Obsolete--Leg.....	4
36	01-1M3157-00004	Plate - Caster.....	4
37	01-100V14-00043	Caster W/Brake.....	2
38	01-1M3154-00001	Bull - Nose.....	2
39	01-100V14-00044	Caster W/O Brake.....	2
40	01-100V16-00405	Grid.....	2
41	01-1M3246-00001	Guide Pan (LH).....	4
42	01-1000V7-00067	Clip.....	10
43	01-1M3245-00001	Guide Pan (RH).....	4



## DOOR ASSEMBLY

**DOOR ASSEMBLY**

ILLUS.	PART NO.	NAME OF PART	AMT.
PL-56005			
1	01-1M3210-00003	NLA - Obsolete--Door (8 In.).....	1
2	01-1M3210-00004	Door (10 In.).....	1
3	01-100V16-00404	Gasket - V-Channel.....	2
4	01-100V21-00111	Gasket - Door Side (13 In.).....	2
5	01-100V21-00011	Gasket - Door Side (11 In.).....	2
6	01-1M4166-00001	Handle Door (Plastic).....	1
7	01-1M3278-00001	Shaft Door (LH).....	1
8	00-730320	Lockwasher 1/4 .....	1
9	00-073010	NLA - Obsolete--Screw - Handle 3/8 x 3/4 Hex Cres. Hd.....	1
10	SC-038-01	NLA - Obsolete--Cap Screw 10-24 x 1/2 Phil. Truss Hd.....	6
11	01-1M3253-00001	Stop - Door (LH).....	2
12	01-1M3253-00002	Stop - Door (RH).....	2
13	00-719987	Button - Handle.....	2
14	00-730320	Lockwasher 1/4 .....	4
15	00-730060	Cap Screw 1/4-28 x 3/8 Hex Hd.....	4
16	01-1000V4-00129	NLA - Obsolete--Screw 10-24 x 1/2 Flat Hd. (SST).....	6
17	01-1M3218-00001	Retainer - Door Glass (Top) (8 In.).....	2
18	01-1M3252-00001	Retainer - Door Glass (Top) (10 In.).....	2
19	SC-038-01	NLA - Obsolete--Cap Screw 10-24 x 1/2 Phil. Truss Hd.....	6
20	01-100V16-00395	Glass - Door.....	2
21	SC-038-01	NLA - Obsolete--Cap Screw 10-24 x 1/2 Phil. Truss Hd.....	2
22	01-1M3205-00001	Retainer - Door Glass (Bottom) (10 In.).....	2
23	01-1M3227-00001	Retainer - Door Glass (Bottom) (8 In.).....	2
24	01-1M3199-00001	Plate - Front Door (10 In.).....	1
25	01-1M3204-00001	Plate - Front Door (8 In.).....	1
26	00-730101	Screw - Hinge.....	1
27	00-730320	Lockwasher 1/4 .....	1
28	01-1M3277-00001	Shaft - Door (RH).....	1
29	00-730320	Lockwasher 1/4 .....	4
30	00-730060	Cap Screw 1/4-28 x 3/8 Hex Hd.....	4
	01-100V21-00113	Gasket 1/2 x 64 (W/Wire Clips).....	1

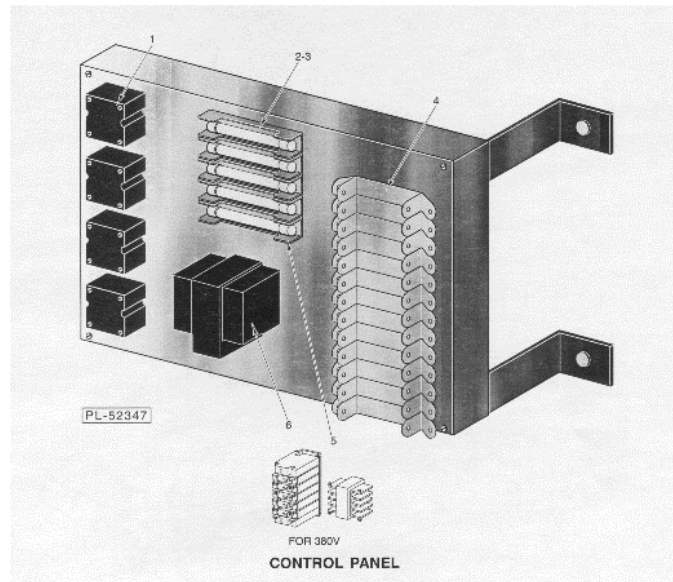


**DOOR MECHANISM**



### DOOR MECHANISM

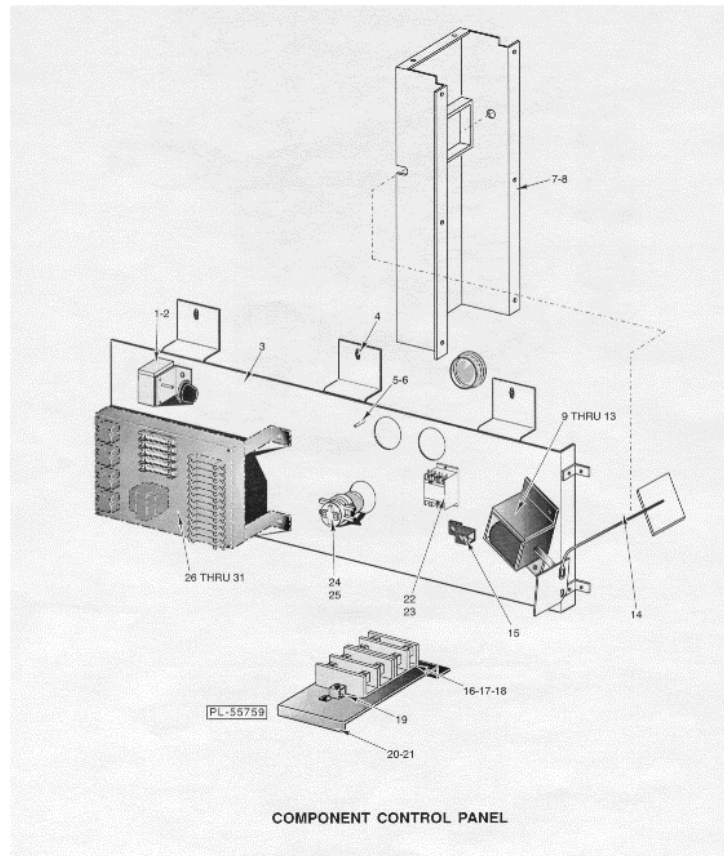
ILLUS. PL-56006	PART NO.	NAME OF PART	AMT.
1	01-1M3257-00001	Pivot Plate Assy.....	1
2	01-1000V4-00133	Cap Screw 1/4-28 x 3/8 Socket Hd.....	1
3	01-1M3284-00001	Hub Assy.....	1
4		Nut 1/4-20 KEPS.....	4
5		Screw 1/4-20 Phil. Cres. Hd.....	4
6	01-1M3277-00001	Shaft - Door (RH).....	1
	01-1M3440-00001	Washer, 0.630 I.D., 2.00 O.D Bronze.....	2
7		Lockwasher 1/4.....	4
8		Screw 1/4-20 x 3/8.....	4
9		Screw 1/4-20 x 3/8.....	4
10	01-1M3284-00001	Hub Assy.....	1
11		Screw.....	4
12		Nut 15/16-24.....	1
13	01-1000V4-00132	Cap Screw 5/16-18 x 1 Socket Hd.....	1
14	01-1M3271-00001	Spring Tube Assy.....	1
15	01-1000V4-00131	Cap Screw 5/16-24 x 1 Socket Hd.....	1
16	01-1M3259-00001	Bracket.....	1
17		Screw.....	4
18		Nut 15/16-24.....	1



## CONTROL PANEL

### CONTROL PANEL

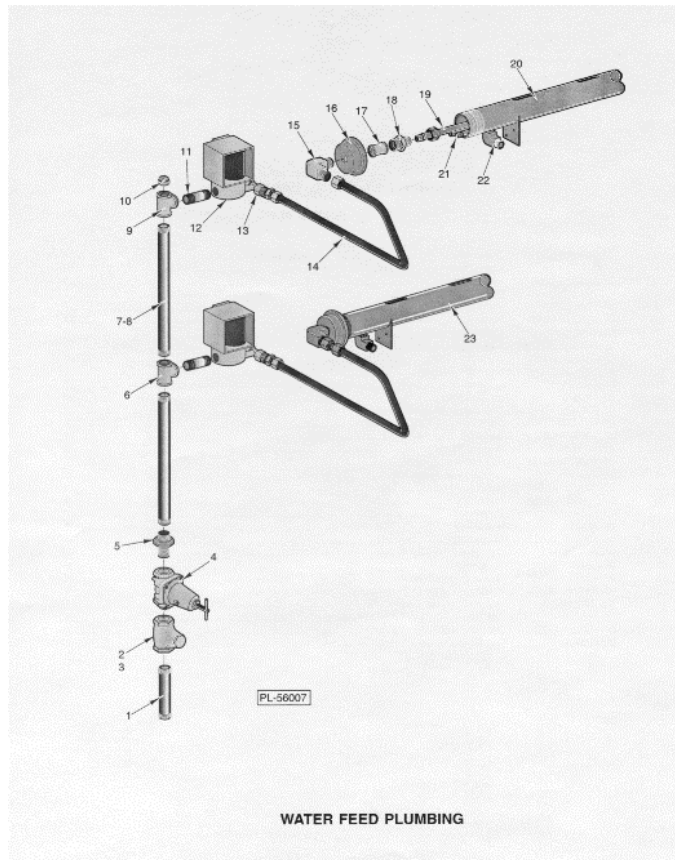
ILLUS.	PART NO.	NAME OF PART	AMT.
PL-52347			
1	01-100V6-00201	Relay - Solid State.....	4
2	01-100V10-00149	Fuse (20 Amp.).....	4
3	01-100V10-00153	Fuse Holder.....	5
4	01-100V5-00179	Strip - Terminal.....	1
5	01-100V10-00150	Fuse (0.5 Amp.).....	1
6	01-100V10-00151	Transformer (208/240 V., 50/60, Hz.).....	1



### COMPONENT CONTROL PANEL

### COMPONENT CONTROL PANEL

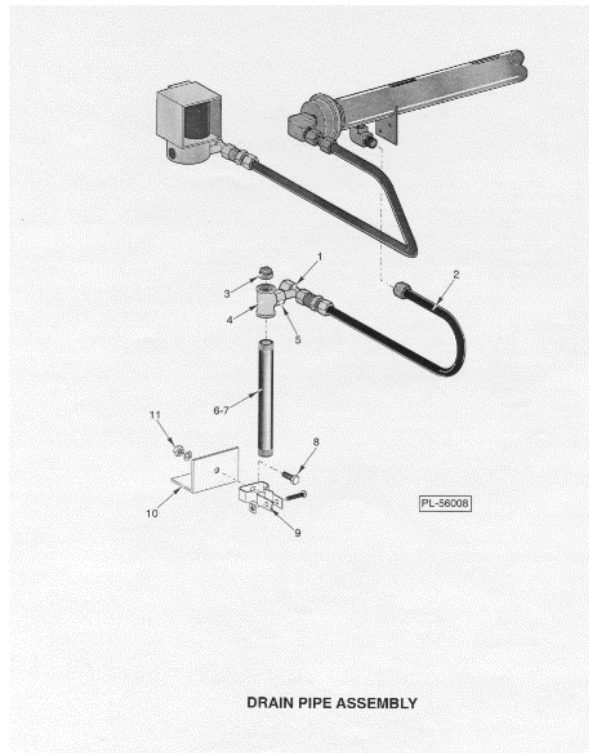
ILLUS.	PART NO.	NAME OF PART	AMT.
PL-55759			
1	00-713694-00000	NLA - Obsolete--Thermostat High Limit.....	1
2		Cap Screw 10-24 x 1/2 Phil. Truss Hd.....	2
3	01-1M3221-00001	NLA - Obsolete--Plate - Control.....	1
4		Screw 10-3/4 Truss Hd.....	3
5	01-100V10-00148	Thermocouple (W/Bracket).....	1
6	01-1000V4-00125	Screw 6-32 x 1/2 Phil. Truss Hd.....	4
7	01-1M3149-00001	NLA - Obsolete--Vent - Rear (10 In.).....	1
8	01-1M3148-00001	NLA - Obsolete--Vent - Rear (8 In.).....	1
9	01-1000V6-00202	Solenoid - Vent.....	4
10	01-1M3216-00001	Bracket - Solenoid.....	1
11	00-730031	Screw 8-32 x 1/4 Sottled Truss Hd.....	4
12	00-730303	Lockwasher.....	4
13	00-730228	Self-Tapping Screw 10-24 x 1/2 Phil. Truss Hd.....	2
14	01-1M3180-00001	NLA - Obsolete--Damper Assy.....	1
15	01-1000V5-00037	Terminal - Lug.....	1
16	01-1000V5-00105	Terminal Block.....	2
17	01-1000V5-00106	End Section.....	1
18		Screw 10-3/4 Truss Hd.....	2
19	01-1000V5-00037	Terminal - Lug.....	1
20	01-1M4256-00001	Plate.....	1
21		Screw.....	2
22	00-730228	Self-Tapping Screw 10-24 x 1/2 Phil. Truss Hd.....	4
23	01-1000V6-00115	Contactora.....	4
24	00-730228	Self-Tapping Screw 10-24 x 1/2 Phil. Truss Hd.....	AR
25	01-1000V7-00027	Lamp - Oven.....	AR
26	01-100V10-00159	Power Control Module Assy. (208-240 V.).....	1
27	01-100V10-00160	Module - Power Control (480 V.).....	1
28	01-100V10-00161	Module - Power Control (380 V.).....	1
29	00-730228	Self-Tapping Screw 10-24 x 1/2 Phil. Truss Hd.....	4
30	01-1M3240-00001	Control Panel Mounting Assy.....	1
31	00-730228	Self-Tapping Screw 10-24 x 1/2 Phil. Truss Hd.....	3



## WATER FEED PLUMBING

### WATER FEED PLUMBING

ILLUS. PL-56007	PART NO.	NAME OF PART	AMT.
1	01-100V17-00105	Pipe 1/2 NPT x 6 Lg.....	1
2	01-100V17-00418	Strainer - V-Type 1/2 .....	1
3	01-100V17-00351	Nipple - Hex 1/2 (Brass).....	1
4	01-100V17-00417	Regulator - Pressure.....	1
5	01-100V17-00424	Adapter - Reducer 1/4 NPT x 1/2 NPT.....	1
6	01-100V17-00156	Tee 1/4 .....	1
7	01-1A2788-00014	Pipe - Water Feed (14 In.).....	1
8	01-1A2788-00016	Pipe - Water Feed (16 In.).....	1
9	01-100V17-00156	Tee 1/4 .....	1
10	01-100V17-00085	Plug - Pipe 1/4 NPT (Brass).....	1
11	01-100V17-00421	Pipe 1/4 NPT x 1 1/2 Lg.....	1
12	01-100V17-00415	Valve - Solenoid Assy.....	1
13	01-100V17-00422	Tee - Male 3/8 CC x 1/4 CP Galvanized.....	1
14	01-100V17-00420	Tube - Flex 3/8 (SST).....	1
15	01-100V17-41953	Elbow - Orifice #53.....	1
16	01-1M3392-00001	Cap End - Pipe 1 1/2 NPT.....	1
17	01-100V17-00211	Coupling 3/8 Lg.....	1
18	01-100V17-00272	Fitting - Strought 3/8 x 3/8 Straight.....	1
19	01-1M3353-00001	Tube 3/8 x 66 1/2 .....	1
20	01-1M3335-00001	Pipe - Steamer.....	1
21	01-1M3352-00001	Rod - Heat Mass 1/4 x 65 (Alum.).....	5
22	01-100V17-41945	Elbow - Orifice #45.....	1
23	01-1M3194-00001	Pipe Assy. (Incls. Items 14 thru 21).....	1

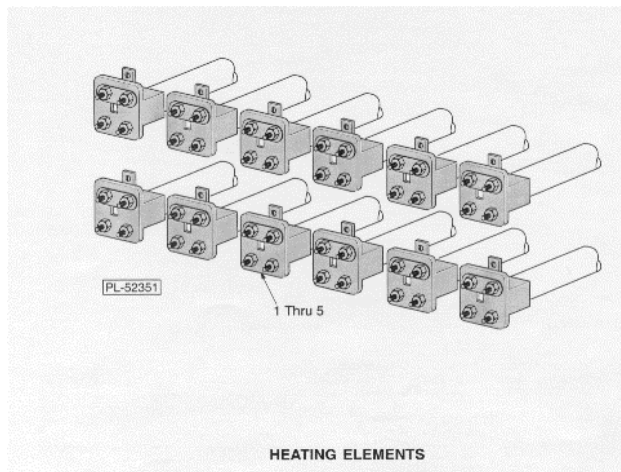


**DRAIN PIPE ASSEMBLY**



### DRAIN PIPE ASSEMBLY

ILLUS. PL-56008	PART NO.	NAME OF PART	AMT.
1	01-100V17-00422	Tee 3/8 CC x 1/4 CP Gavanized.....	1
2	01-100V17-00420	Tube - Flex 3/8 (SST).....	1
3	01-100V17-00085	Plug - Pipe 1/4 NPT (Brass).....	1
4	00-730505	Tee 3/8 Galvanized.....	1
5	00-730308	Bushing 3/8 x 1/4 Galvanized.....	1
6	01-1A2788-00014	Pipe - Water Feed (14 In.).....	1
7	01-1A2788-00016	Pipe - Water Feed (16 In.).....	1
8		Cap Screw 1/4-20 x 3/8 Phil. Cres. Hd.....	1
9	01-1000V1-00048	NLA - Obsolete--Clamp - Pipe Assy.....	1
10	01-1M3224-00001	Bracket - Drain Pipe.....	1
11	00-720899	Nut 1/4-20 KEPS.....	1



## HEATING ELEMENTS

### HEATING ELEMENTS

ILLUS.	PART NO.	NAME OF PART	AMT.
<b>PL-52351</b>			
1	01-100V10-0221B	Element Heating (220 V.).....	AR
2	01-100V10-0221C	Element Heating (480 V.).....	AR
3	01-100V10-0221D	NLA - Obsolete--Element Heating (380 V.).....	AR
4	01-100V10-0221A	Element Heating (208 V.).....	AR
5	01-100V10-0221E	Element Heating (415 V., 770 W.).....	AR

HBDO ELECTRIC DECK OVEN (ML's 132239, 132240, 132241, 132242, 132243, 132244, 132245, 132246, 132247, 132248, 132249, 132250, 132279) REPLACEMENT PARTS

---