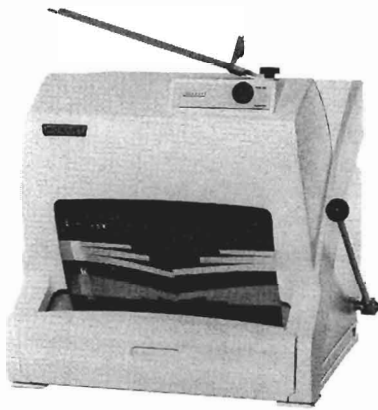


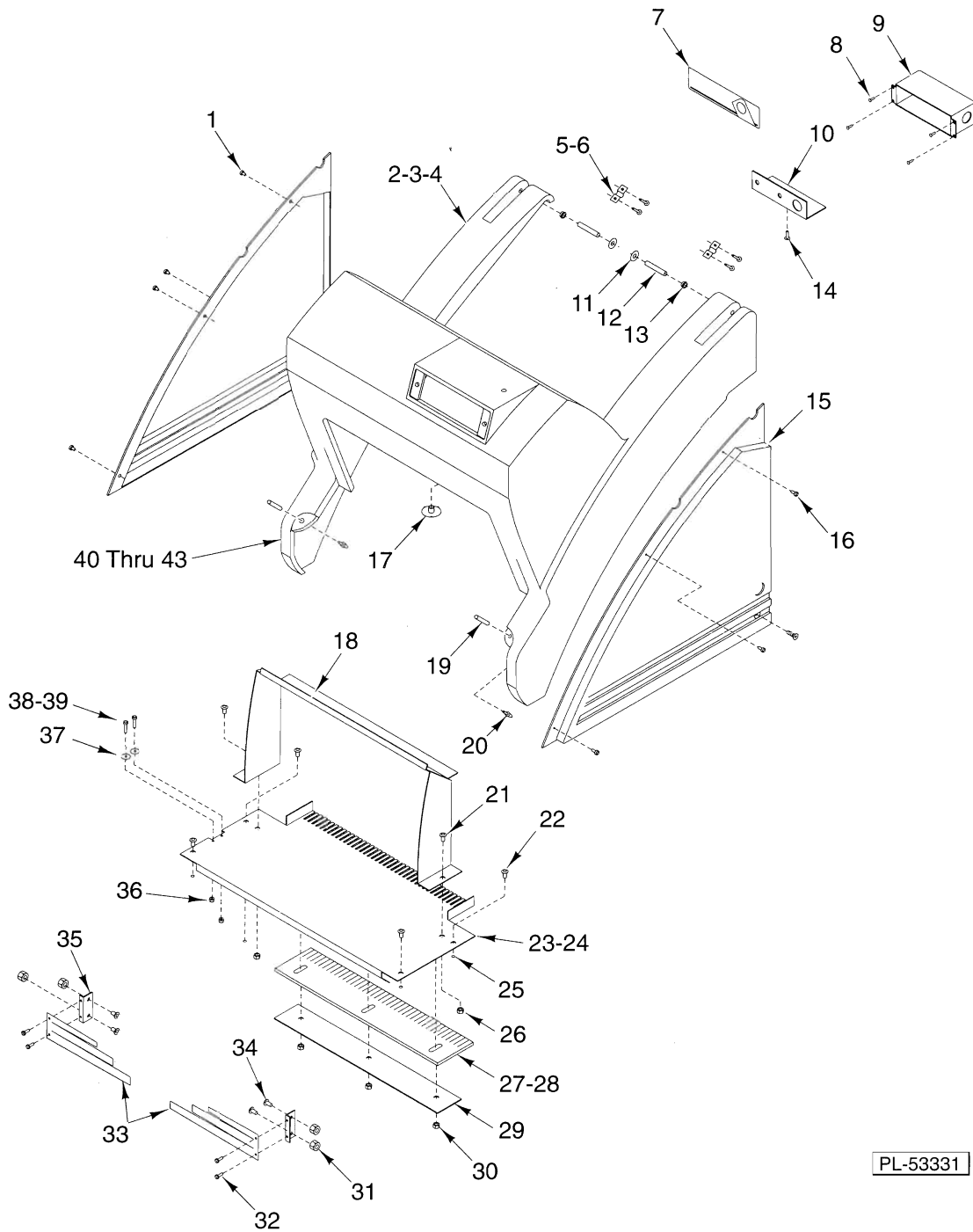


CATALOG OF REPLACEMENT PARTS



HAB100 BREAD SLICER

HAB100 ML-104843



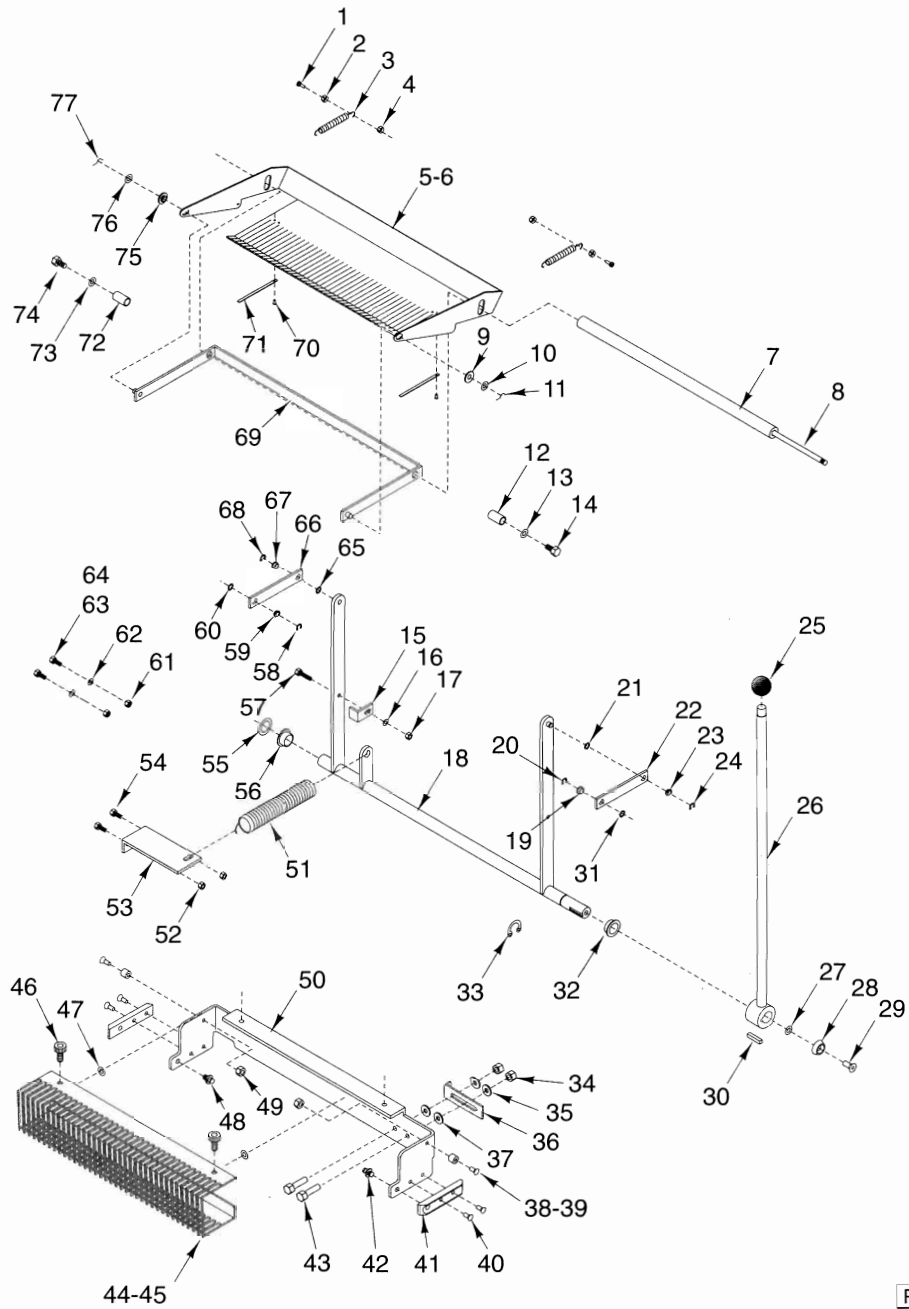
PL-53331

HOUSING UNIT

HOUSING UNIT

ILLUS. PL-53331	PART NO.	NAME OF PART	AMT.
1	SC-117-48	Mach. Screw M6 x 12 mm Pan Hd.	4
2	00-479935-00001	Cover - MCL White	1
3	00-479935-00002	Cover - MCL Yellow	1
4	00-479935-00003	Cover - MCL Red	1
5	00-479991	Staple - Dia. 8	2
6	SC-118-26	Mach. Screw M4 x 10mm Flat Hd.	4
7	00-873124	Label - Control	1
8	SC-118-26	Mach. Screw M4 x 10mm Flat Hd.	4
9	00-873005	Box - Control	1
10	00-873006	Bracket - Control Box	1
11	00-873434	Spacer - Cover	2
12	00-479990	Axle - Cover	2
13	00-479892-00002	Bushing M8 x 15 mm	2
14	SC-117-48	Mach. Screw M6 x 12 mm Pan Hd.	1
15	00-479846	Set - Outer Side (Incls. Left & Right sides)	1
16	SC-117-48	Mach. Screw M6 x 12 mm Pan Hd.	4
17	NS-048-54	Nut - Lock Special M8 Hex	1
18	00-479996	Cover - Frame	1
19	00-873141	Insert - M6	2
20	00-873142	Stud	2
21	SC-117-48	Mach. Screw M6 x 12 mm Pan Hd.	2
22	00-873021-00004	Screw - Knurled Thumb M6 x 15 mm	4
23	00-479867-00001	Table - Front (1/2")	1
24	00-479867-00002	Table - Front (3/8")	1
25	NS-048-47	Nut - Lock Special M6 Hex	4
26	NS-048-47	Nut - Lock Special M6 Hex	2
27	00-479851-00001	Guide - Table (1/2")	1
28	00-479851-00002	Guide - Table (3/8")	1
29	00-479926	Guide - Table	1
30	NS-048-47	Nut - Lock Special M6 Hex	3
31	NS-048-47	Nut - Lock Special M6 Hex	4
32	00-873021-00003	Screw - Knurled Thumb M4 x 10 mm	4
33	00-479901	Flap - Lateral (Includes Both Sides)	1
34	SC-117-48	Mach. Screw M6 x 12 mm Pan Hd.	4
35	00-479997	Bracket - Flap	2
36	NS-048-46	Nut - Lock Special M4 Hex	2
37	WS-030-51	Washer 4.3mm x 12mm x 1.0mm	2
38	SC-120-61	Mach. Screw M4 x 07 x 10mm Cheese Hd.	2
39	00-873053	Magnet	1
40	00-873028	Switch - Reed	1
41	00-873433	Bracket - Reed Switch	1
42	SC-121-22	Mach. Screw M4 x 0.7 x 16mm Cheese Hd.	4
43	NS-048-46	Nut - Lock Special M4 Hex	2

HAB100 BREAD SLICER REPLACEMENT PARTS



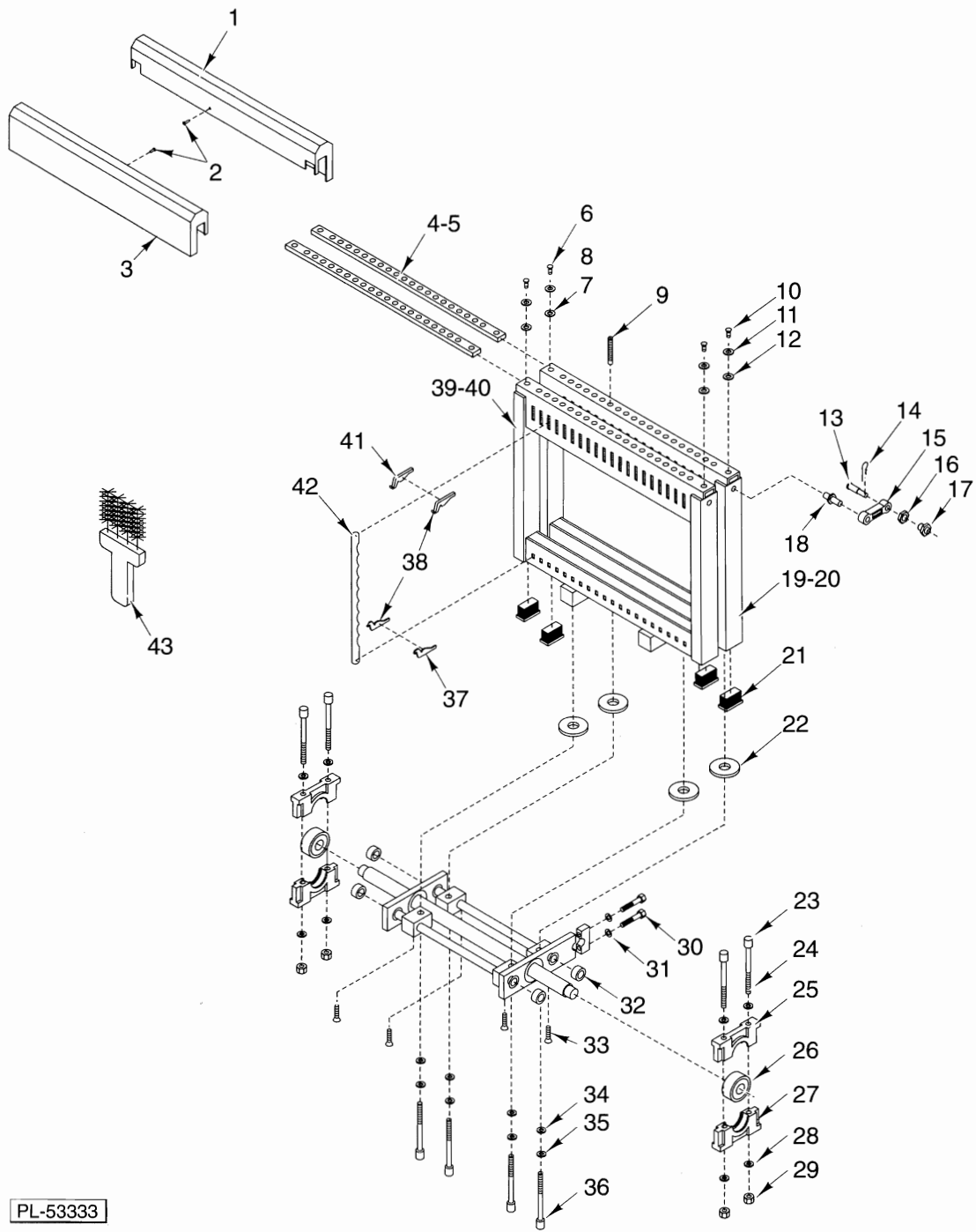
PL-53332

PUSHER UNIT

ILLUS. PL-53332	PART NO.	NAME OF PART	AMT.
	1	SC-123-35 Mach. Screw M6 x 1.0 x 20mm Hex Hd	2
	2	NS-048-47 Nut - Lock Special M6 Hex	2
	3	00-479998 Spring - Pressing Plate	2
	4	NS-048-47 Nut - Lock Special M6 Hex	2
	5	00-479858-00001 Plate - Pressing (1/2")	1
	6	00-479858-00002 Plate - Pressing (3/8")	1
	7	00-479853 Pipe - Pressing Plate	1
	8	00-479923 Axle - Pressing Plate	1
	9	00-479892-00001 Bushing 8 x 2	1
	10	SL-005-09 Spring - Loading	1
	11	RR-011-88 Retaining Ring Series 8	1
	12	00-873035 Stop - Rubber	1
	13	WL-019-74 Lockwasher 8.2mm Medium	1

PUSHER UNIT (CON'T)

ILLUS. PL-53332	PART NO.	NAME OF PART	AMT.
14	SC-118-74	Cap Screw M8 x 40mm Hex Hd.	1
15	00-873003	Stop - Limit Switch	1
16	WS-030-43	Washer 6.4 mm	1
17	NS-048-47	Nut - Lock Special M6 Hex	1
18	00-479896	Axle - Pulling Assy.	1
19	00-479892-00002	Bushing M8 x 15 mm	1
20	RR-011-88	Retaining Ring Series 8	1
21	SL-005-09	Spring - Loading	1
22	00-873002	Plate - Carriage	1
23	00-479892-00002	Bushing M8 x 15 mm	1
24	RR-011-88	Retaining Ring Series 8	1
25	00-479972	Knob 45 Dia.	1
26	00-479967	Lever 700 MM	1
27	WS-030-66	Washer 8.4 mm.	1
28	00-479976	Washer - Conical	1
29	SC-118-70	Cap Screw M8 x 20 mm Flat Hd.	1
30	00-873034	Lever - Wedge	1
31	SL-005-09	Spring - Loading	1
32	00-479892-00007	Bushing 20 x 11	1
33	RR-012-06	Retaining Ring Din 471	1
34	NS-048-42	Nut - Crown M8 x 1.25	2
35	00-873055	Washer - Nylon	2
36	00-873001	Stop - Carriage	1
37	00-873055	Washer - Nylon	2
38	00-873000	Stop - Cover	2
39	SC-124-94	Mach. Screw M6 x 25 mm Flat Hd.	2
40	SC-124-63	Mach. Screw M6 x 16 mm Flat Hd.	4
41	00-479843	Guide - Carriage	2
42	00-479977	Pin - Coupling	1
43	SC-121-15	Cap Screw M8 x 16mm Hex Hd.	2
44	00-479830-00001	Pusher - Bread (1/2")	1
45	00-479830-00002	Pusher - Bread (3/8")	1
46	00-873021-00002	Screw - Knurled Thumb M8 x 12 mm	2
47	RR-012-08	Retaining - Ring Din 471	2
48	00-479977	Pin - Coupling	1
49	NS-047-48	Full Nut M4 Hex	2
50	00-479898	Pusher - Carriage	1
51	00-479971	Spring - Traction	1
52	NS-048-47	Nut - Lock Special M6 Hex	2
53	00-873004	Bracket - Spring	1
54	SC-118-54	Cap Screw Met M6 x 1.0 X 16mm Hex Hd.	2
55	00-873037-00001	Washer - Starlock	1
56	00-479892-00007	Bushing 20 x 11	1
57	SC-118-54	Cap Screw Met M6 x 1.0 X 16mm Hex Hd.	1
58	RR-011-88	Retaining Ring Series 8	1
59	00-479892-00002	Bushing M8 x 15 mm	1
60	SL-005-09	Spring - Loading	1
61	NS-048-46	Nut - Lock Special M4 Hex	2
62	WS-030-51	Washer 4.3mm x 12mm x 1.0mm	2
63	SC-118-39	Mach. Screw M4 x 30 mm Flat Hd.	2
64	00-087711-00313	Switch - Limit (Front)	1
65	SL-005-09	Spring - Loading	1
66	00-873002	Plate - Carriage	1
67	00-479892-00002	Bushing M8 x 15 mm	1
68	RR-011-88	Retaining Ring Series 8	1
69	00-479924	Bar - Articulation	1
70	RS-032-99	Rivet - Pop	3
71	00-479985	Guide - Comb	3
72	00-873035	Stop - Rubber	1
73	WL-019-74	Lockwasher 8.2mm Medium	1
74	SC-118-74	Cap Screw M8 x 40mm Hex Hd.	1
75	00-479892-00001	Bushing 8 x 2	1
76	SL-005-09	Spring - Loading	1
77	RR-011-88	Retaining Ring Series 8	1

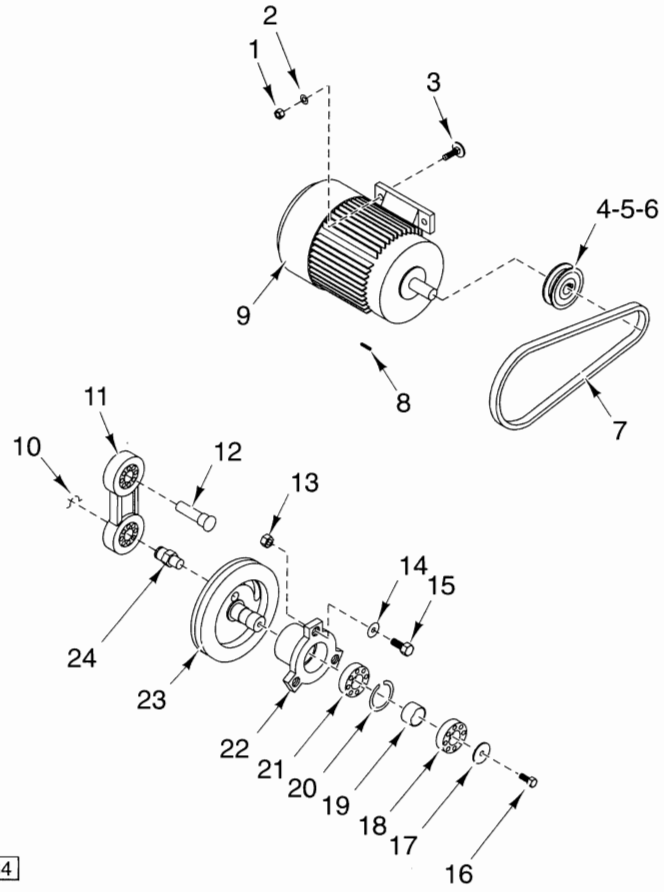


PL-53333

FRAME UNIT

FRAME UNIT

ILLUS. PL-53333	PART NO.	NAME OF PART	AMT.
1	00-873123	Cover - Frame Rear	1
2	SC-121-22	Mach. Screw M4 x 0.7 x 16mm Cheese Hd.	2
3	00-479854	Cover - Frame Front	1
4	00-479826-00001	Plate - Threaded (1/2")	2
5	00-479826-00002	Plate - Threaded (3/8")	2
6	SC-121-15	Cap Screw M8 x 16mm Hex Hd.	2
7	WS-030-44	Washer 8.4 x 16	2
8	WL-019-74	Lockwasher 8.2mm Medium	2
9	SC-124-65	Set Screw M8 x 50 mm Hdls., Flat Pt.	AR
10	SC-121-15	Cap Screw M8 x 16mm Hex Hd.	2
11	WS-030-44	Washer 8.4 x 16	2
12	WL-019-74	Lockwasher 8.2mm Medium	2
13	00-479861	Stub - Axle	2
14	00-873036	Pin	2
15	00-479995	Link - Frame	2
16	NS-048-51	Nut - Hex M12	2
17	00-479860	Socket - Stub Axle	2
18	00-479994	Pivot - Frame	2
19	00-873073-00001	Frame - Rear (1/2")	1
20	00-873073-00002	Frame - Rear (3/8")	1
21	00-479931	Cap - Frame	4
22	00-479979	Washer (Set)	AR
23	SC-119-25	Cap - Screw M8 x 100 mm Hex Hd.	4
24	WS-030-44	Washer 8.4 x 16	4
25	00-479974	Bushing - Shaft Half	2
26	BB-005-46	Ball Bearing - Fafnir 204KDDFS50545	2
27	00-479974	Bushing - Shaft Half	2
28	WS-030-44	Washer 8.4 x 16	4
29	NS-048-48	Nut - Lock Special M8 Hex	4
30	SC-121-87	Cap Screw M8 x 40mm Hex Hd.	2
31	WL-019-74	Lockwasher 8.2mm Medium	2
32	BB-005-19	Ball Bearing - Fafnir #H202PP	4
33	SC-118-68	Cap Screw M6 x 20mm Soc. Fil. Hd.	4
34	WS-030-46	Washer 10.5 x 22	4
35	WL-019-89	Lockwasher M10	4
36	SC-124-62	Cap Screw M10 x 60 mm Soc. Hd.	4
37	00-479825-00002	Holder - Knife (Left)	AR
38	00-479825-00001	Holder - Knife (Right)	AR
39	00-873072-00001	Frame - Front (1/2")	1
40	00-873072-00002	Frame - Front (3/8")	1
41	00-479825-00002	Holder - Knife (Left)	AR
42	00-479824	Knife 10 mm	AR
43	00-873013	Brush - Cleaning	1
	00-479833	Axle - Oscillating Assy. (Incls. items 32)	1

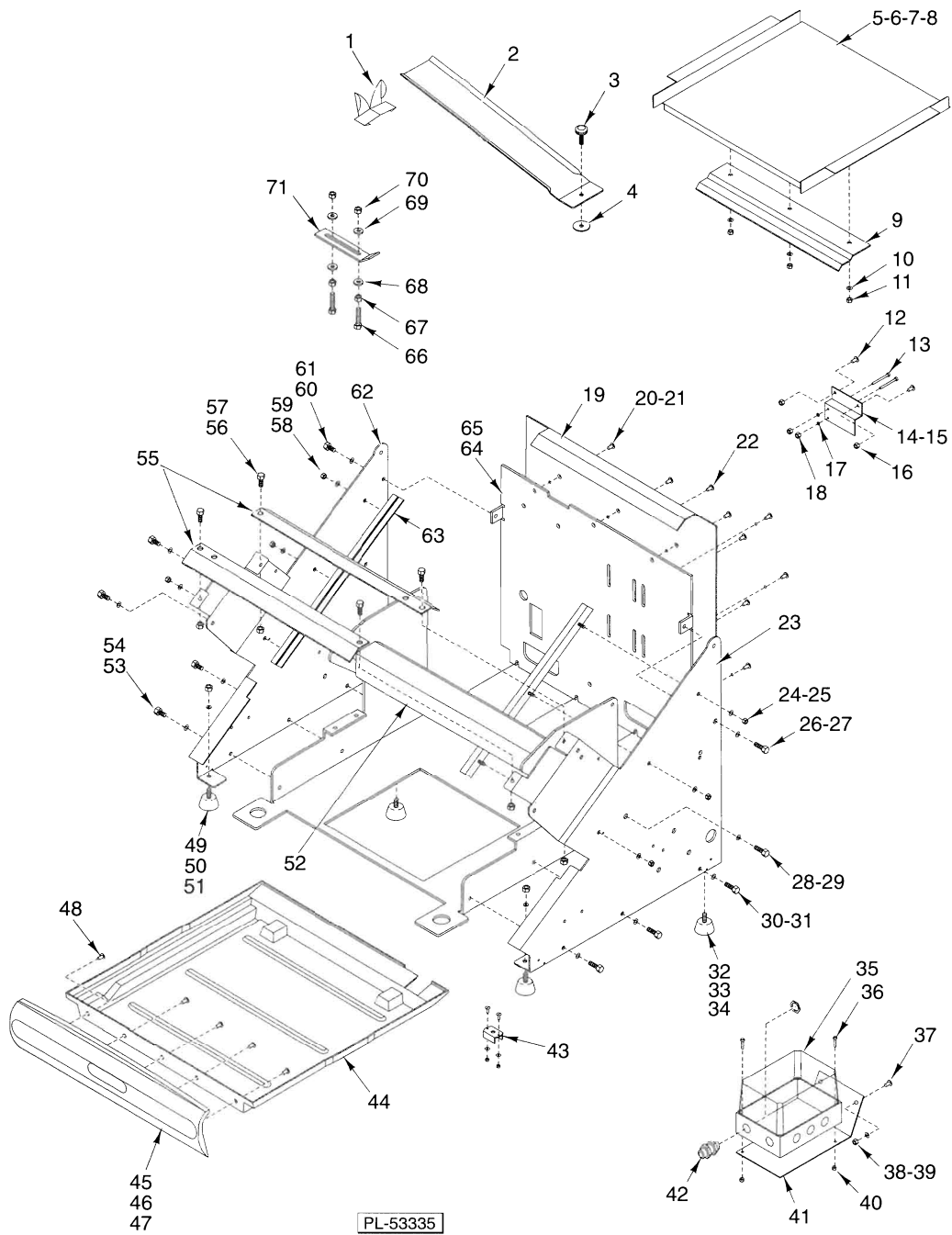


PL-53334

DRIVE UNIT

DRIVE UNIT

ILLUS. PL-53334	PART NO.	NAME OF PART	AMT.
1	NS-048-48	Nut - Lock Special M8 Hex	4
2	WS-030-44	Washer 8.4 x 16	4
3	SC-124-60	Bolt - M8 x 25mm Square Neck. Mushroom Hd. Hd.	4
4	SC-117-35	Set Screw M6 x 1.0 x 10 mm Hdls., Cup Pt.	1
5	SC-117-33	Set Screw M8 x 1.25 x 12mm Hdls. Cup Pt.	1
6	00-479930	Pulley A-56	1
7	BV-013-35	"V" - Belt	1
8	00-873051	Key - Motor Shaft	1
9	00-479929	Motor (Incls. item 8)	1
10	RR-012-06	Retaining Ring Din 471	1
11	00-479885	Rod - Connecting	1
12	00-479841	Pin - Swiveling Axle	1
13	NS-048-49	Nut - Lock M10 Special Hex	3
14	00-873064	Washer M10 Dia.	3
15	SC-124-23	Cap Screw M10 x 30 mm Hex Hd.	3
16	SC-121-15	Cap Screw M8 x 16mm Hex Hd.	1
17	WS-030-66	Washer 8.4 mm.	1
18	BB-017-39	Ball Bearing - MRC 205 SZZ-01-ST-A-92-C	1
19	00-479884	Spacer - Axle Box	1
20	RR-012-07	Retaining Ring Met Din 472	1
21	BB-017-39	Ball Bearing - MRC 205 SZZ-01-ST-A-92-C	1
22	00-479838	Axle - Flywheel Box	1
23	00-479839	Flywheel - Groove A	1
24	00-479840	Pin - Swiveling	1
	00-479883	Flywheel Assy. (Incls. items 10 thru 24)	1



DRAWER, TABLE & HARDWARE

ILLUS. PL-53335	PART NO.	NAME OF PART	AMT.
	1	Stop - Adjustable	1
	2	Spade - Bag	1
	3	Knob	1
	4	Washer	1
	5	Table - Non-Indented	1
	6	Nut - Lock Special M4 Hex	2
	7	Mach. Screw M4 x 07 x 10mm Cheese Hd.	2
	8	Magnet	1
	9	Support - Rear Table	1
	10	Washer 6.4 mm	3
	11	Nut - Lock Special M6 Hex	3

DRAWER, TABLE & HARDWARE (CON'T)

ILLUS. PL-53335	PART NO.	NAME OF PART	AMT.
12	SC-118-54	Cap Screw Met M6 x 1.0 x 16mm Hex Hd.	2
13	SC-118-39	Mach. Screw M4 x 30 mm Flat Hd.	2
14	00-479968	Support - Drawer Switch	1
15	00-087711-00314	Switch - Limit (Drawer)	1
16	NS-048-47	Nut - Lock Special M6 Hex	2
17	WS-030-51	Washer 4.3mm x 12mm x 1.0mm	2
18	NS-048-46	Nut - Lock Special M4 Hex	2
19	00-479992	Cover - Rear	1
20	00-873021-00004	Screw - Knurled Thumb M6 x 15 mm	6
21	00-873037-00002	Washer - Starlock	6
22	SC-118-54	Cap Screw Met M6 x 1.0 x 16mm Hex Hd.	3
23	00-479938-00001	Side - Left	1
24	WS-030-43	Washer 6.4 mm	3
25	NS-048-47	Nut - Lock Special M6 Hex	3
26	WL-019-74	Lockwasher 8.2mm Medium	1
27	SC-121-15	Cap Screw M8 x 16mm Hex Hd.	1
28	WL-019-74	Lockwasher 8.2mm Medium	1
29	SC-121-15	Cap Screw M8 x 16mm Hex Hd.	1
30	WL-019-74	Lockwasher 8.2mm Medium	3
31	SC-121-15	Cap Screw M8 x 16mm Hex Hd.	3
32	00-873011	Foot - Rubber	2
33	WL-019-74	Lockwasher 8.2mm Medium	2
34	NS-048-48	Nut - Lock Special M8 Hex	2
35	00-479983	Box - Control w/Cover	1
36	SC-120-61	Mach. Screw M4 x 07 x 10mm Cheese Hd.	2
37	SC-118-54	Cap Screw Met M6 x 1.0 x 16mm Hex Hd.	2
38	WS-030-32	Washer 6.4mm x 12.5mm x 1.5mm	2
39	NS-048-47	Nut - Lock Special M6 Hex	2
40	NS-048-46	Nut - Lock Special M4 Hex	2
41	00-873008	Support - Electrical Box	1
42	FE-024-10	Strain Relief	11
43	00-873143	Receptacle - Clip	2
44	00-479936	Drawer - Tray	1
45	00-479934-00001	Drawer - Face (White)	1
46	00-479934-00002	Drawer - Face (Red)	1
47	00-479934-00003	Drawer - Face (Yellow)	1
48	SD-038-54	Self - Tapping Screw 6.3 mm x 19 mm Phil. Pan Hd., Type AB	5
49	NS-048-48	Nut - Lock Special M8 Hex	2
50	WL-019-74	Lockwasher 8.2mm Medium	2
51	00-873011	Foot - Rubber	2
52	00-479987-00001	Frame - Link	1
53	SC-121-15	Cap Screw M8 x 16mm Hex Hd.	3
54	WL-019-74	Lockwasher 8.2mm Medium	2
55	00-479988-00001	Frame - Upper	2
56	NS-048-48	Nut - Lock Special M8 Hex	4
57	SC-121-15	Cap Screw M8 x 16mm Hex Hd.	1
58	NS-048-47	Nut - Lock Special M6 Hex	3
59	WS-030-43	Washer 6.4 mm	3
60	SC-121-15	Cap Screw M8 x 16mm Hex Hd.	1
61	WL-019-74	Lockwasher 8.2mm Medium	1
62	00-479937-00001	Side - Right	2
63	00-479862	Pusher - Slide	2
64	00-873028	Switch - Reed	1
65	00-479966-00001	Support - Motor (Rear)	2
66	SC-118-74	Cap Screw M8 x 40mm Hex Hd.	2
67	NS-048-48	Nut - Lock Special M8 Hex	2
68	00-873055	Washer - Nylon	2
69	00-873055	Washer - Nylon	2
70	NS-048-48	Nut - Lock Special M8 Hex	2
71	00-479989	Cover - Stop	1
	00-873024	Terminal Block (Use with Item 35)	2
	00-873025	Terminal Block - Ground (Use with Item 35)	1
	00-873050	Cover - Terminal Block (Use with Item 35)	1
	00-088196-00031	Overload Relay (Use with Item 35)	1
	00-087713-00100	Contacting (Use with Item 35)	1

— NOTES —