

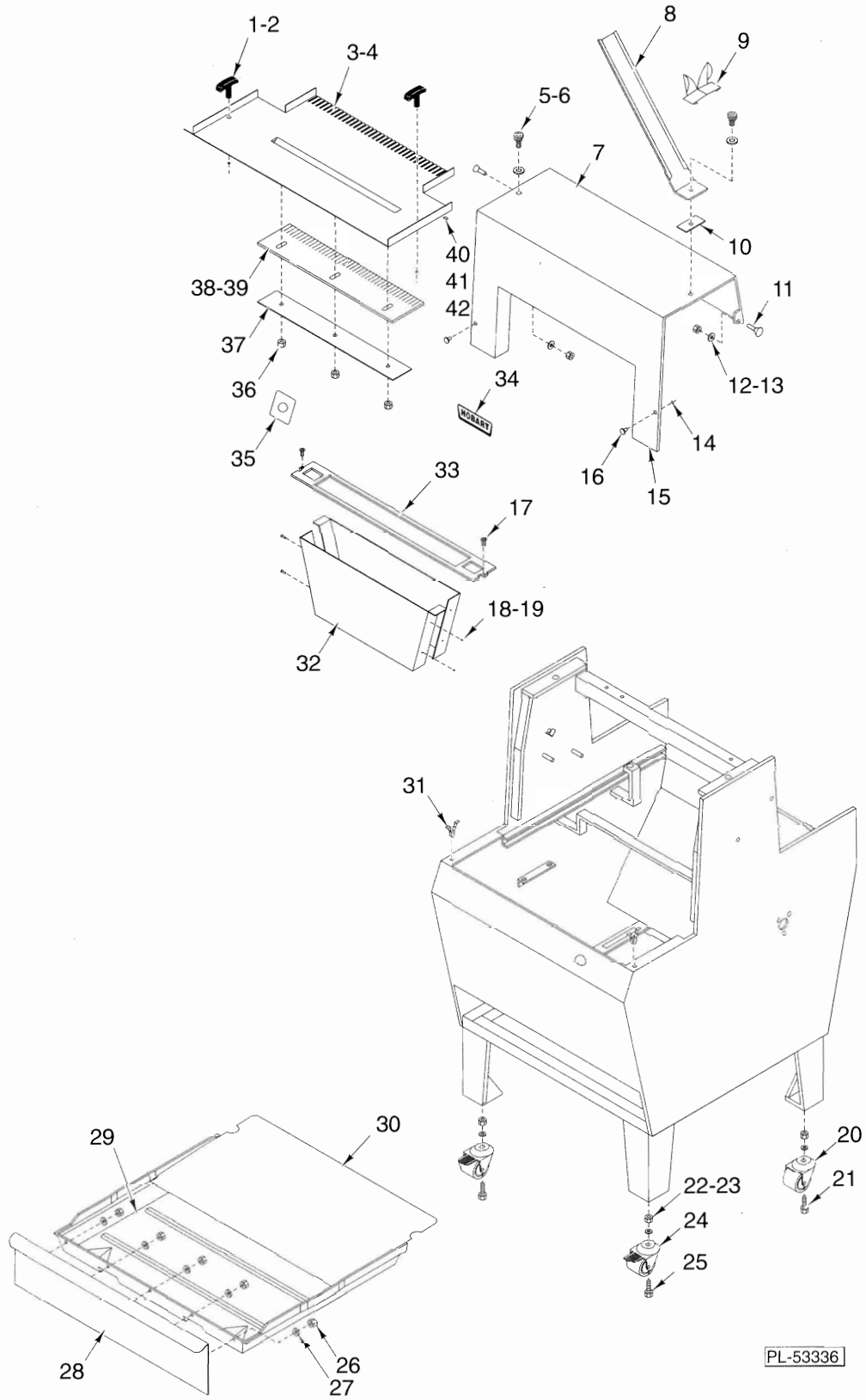


CATALOG OF REPLACEMENT PARTS



HAB300 BREAD SLICER

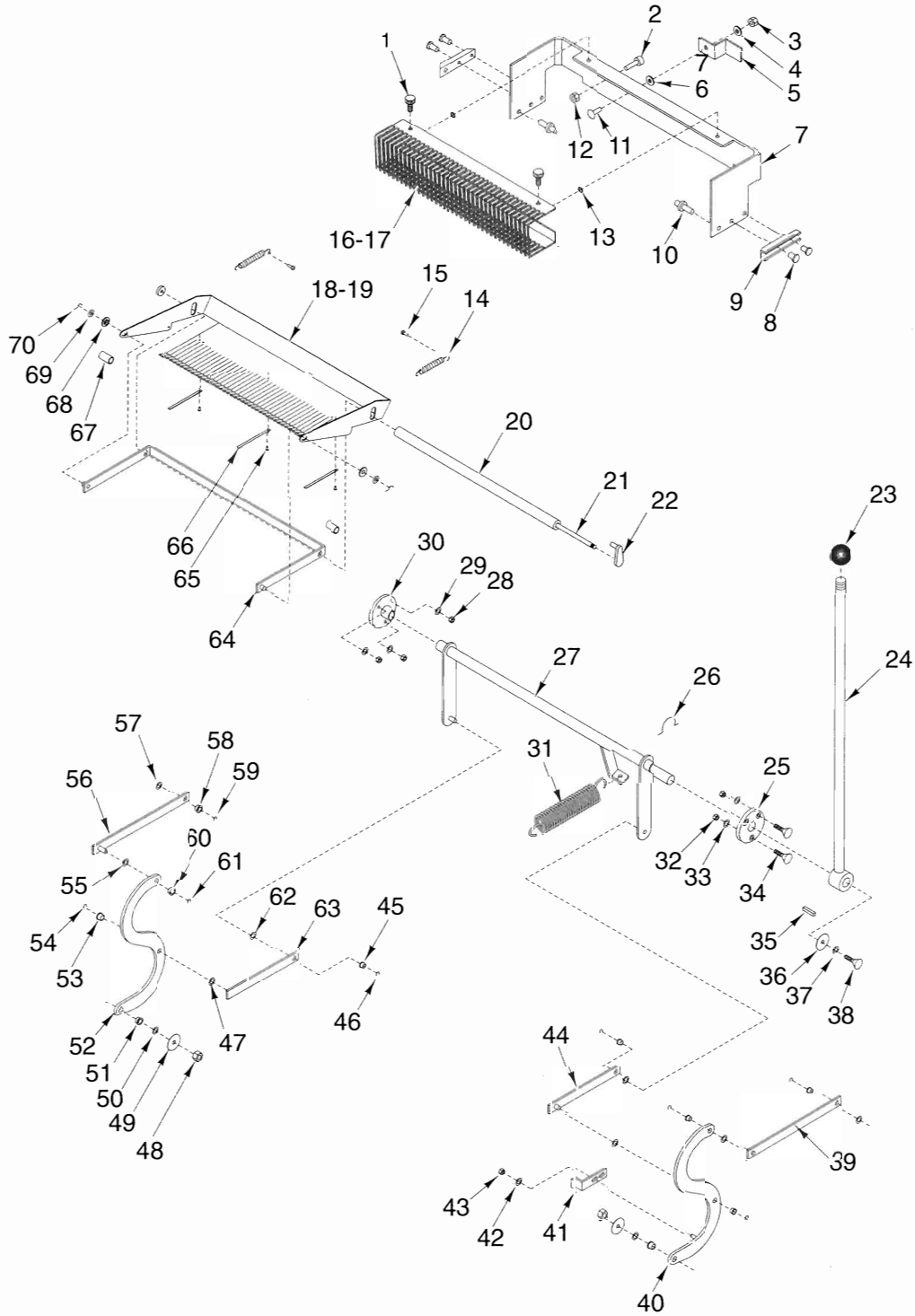
HAB300 ML-104844



COVER, FRONT TABLE & DRAWER UNIT

COVER, FRONT TABLE & DRAWER UNIT

ILLUS. PL-53336	PART NO.	NAME OF PART	AMT.
1	00-873259-00002	Grip - "T"	2
2	00-873142	Stud	2
3	00-479865-00001	Table - Front (1/2" Slice Thickness)	1
4	00-479865-00002	Table - Front (3/8" Slice Thickness)	1
5	00-873029	Knob	2
6	WS-030-44	Washer 8.4 x 16	2
7	00-479904	Cover - BDL 450	1
8	00-479874	Spade - Bag	1
9	00-479842	Stop - Adjustable	1
10	00-873054	Strip - Nylon	1
11	SC-118-70	Cap Screw M8 x 20 mm Flat Hd.	2
12	00-479978	Bushing - Nylon	2
13	NS-048-48	Nut - Lock Special M8 Hex	2
14	00-873037-00002	Washer - Starlock	2
15	00-873028	Switch - Reed	1
16	00-873066-00001	Screw - Knurled Thumb	2
17	SC-124-63	Mach. Screw M6 x 16 mm Flat Hd.	2
18	NS-048-46	Nut - Lock Special M4 Hex	4
19	SC-120-61	Mach. Screw M4 x 07 x 10mm Cheese Hd.	4
20	00-479927	Caster - W/O Brake	2
21	SC-124-61	Cap Screw M10 x 1.50 x 40mm Hex Hd.	2
22	NS-048-49	Nut - Lock M10 Special Hex	4
23	WS-030-46	Washer 10.5 x 22	4
24	00-479887	Caster - W/Brake	2
25	SC-124-61	Cap Screw M10 x 1.50 x 40mm Hex Hd.	2
26	NS-047-34	Nut - Crown M6 x 1 SST.	5
27	WS-030-43	Washer 6.4 mm	5
28	00-479913-00001	Drawer - Face (White)	1
29	00-479933	Drawer - Tray	1
30	00-479855	Panel - Drawer	1
31	00-873143	Receptacle - Clip	4
32	00-479848	Chute - Crumb	2
33	00-479905	Support - Drain	1
34	00-873065	Logo - Hobart	1
35	00-873068	Label - Switch	1
36	NS-048-47	Nut - Lock Special M6 Hex	3
37	00-479926	Guide - Table	1
38	00-479845-00001	Guide - Front Table 1/2"	1
39	00-479845-00002	Guide - Front Table 3/8"	1
40	SC-120-61	Mach. Screw M4 x 07 x 10mm Cheese Hd.	2
41	00-873053	Magnet	1
42	NS-048-46	Nut - Lock Special M4 Hex	2



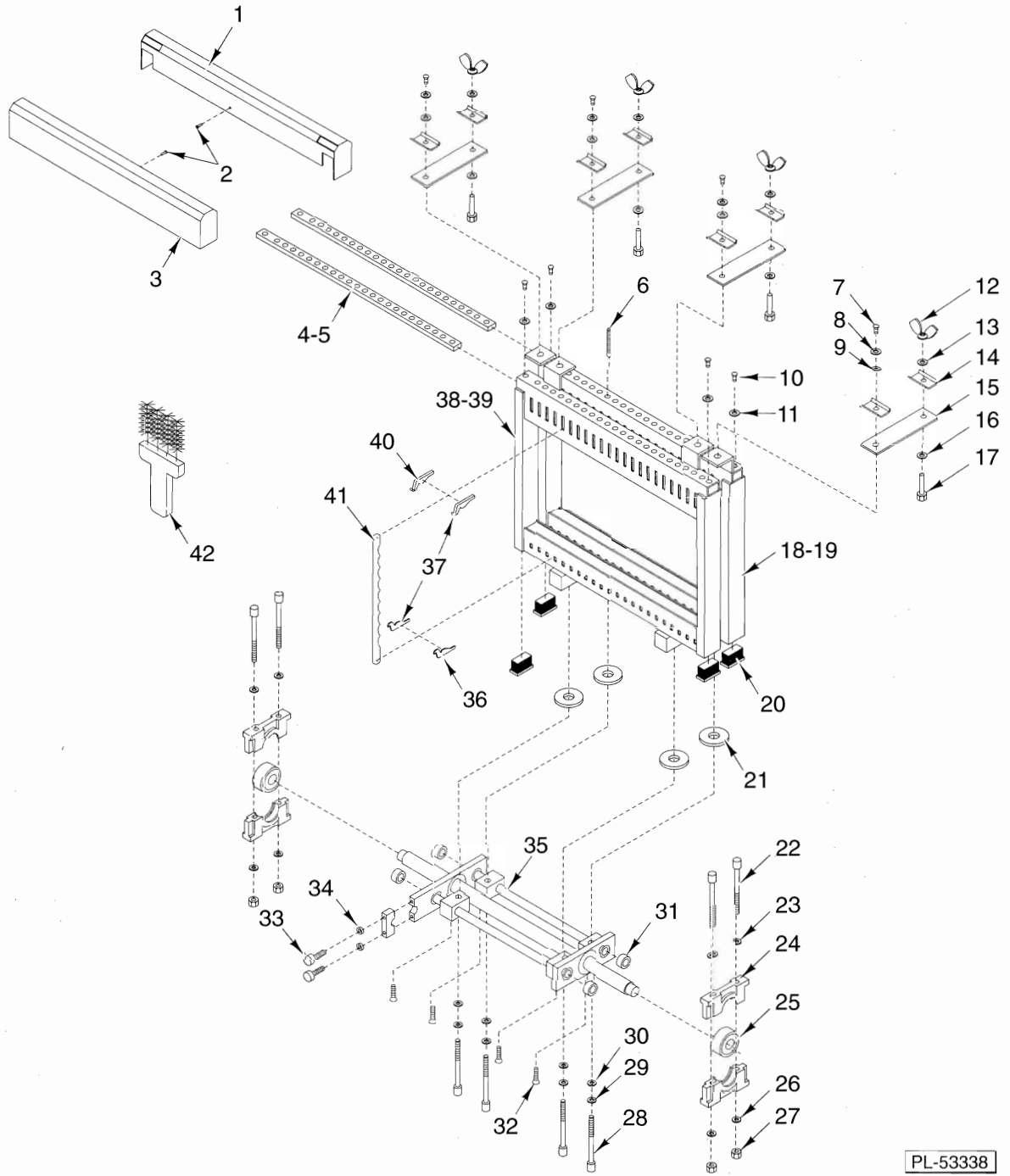
PL-53337

PUSHER UNIT

ILLUS. PL-53337	PART NO.	NAME OF PART	AMT.
1	00-873021-00002	Screw - Knurled Thumb M8 x 12 mm	2
2	SC-118-68	Cap Screw M6 x 20mm Soc. Fil. Hd.	1
3	NS-047-34	Nut - Crown M6 x 1 SST.	1
4	00-873017	Washer	1
5	00-479984	Stop - Carriage	1
6	00-873017	Washer	1

PUSHER UNIT (CON'T)

ILLUS. PL-53337	PART NO.	NAME OF PART	AMT.
7	00-479899	Pusher - Carriage	1
8	SC-124-63	Mach. Screw M6 x 16 mm Flat Hd.	4
9	00-479843	Guide - Carriage	2
10	00-479977	Pin - Coupling	2
11	SC-123-35	Mach. Screw M6 x 1.0 x 20mm Hex Hd.	1
12	NS-047-34	Nut - Crown M6 x 1 SST.	1
13	RR-012-08	Retaining - Ring Din 471	2
14	00-479998	Spring - Pressing Plate	2
15	SC-118-25	Mach. Screw M4 x 6mm Pan Hd.	2
16	00-479829-00001	Pusher - Bread (1/2" Slice Thickness)	1
17	00-479829-00002	Pusher - Bread (3/8" Slice Thickness)	1
18	00-479863-00001	Plate - Pressing (1/2")	1
19	00-479863-00002	Plate - Pressing (3/8")	1
20	00-479849	Pipe - Pressing Plate	1
21	00-479916	Axle - Pressure Plate	1
22	00-873262	Plate - Axle	1
23	00-479972	Knob 45 Dia.	1
24	00-479967	Lever 700 MM	1
25	00-479973	Axle - Bearing	1
26	RR-012-06	Retaining Ring Din 471	1
27	00-479895	Axle - Pulling Assy.	1
28	NS-048-47	Nut - Lock Special M6 Hex	3
29	WS-030-32	Washer 6.4mm x 12.5mm x 1.5mm	3
30	00-479973	Axle - Bearing	1
31	00-479971	Spring - Traction	1
32	NS-048-47	Nut - Lock Special M6 Hex	3
33	WS-030-32	Washer 6.4mm x 12.5mm x 1.5mm	3
34	SC-124-63	Mach. Screw M6 x 16 mm Flat Hd.	3
35	00-873034	Lever - Wedge	1
36	WS-030-66	Washer 8.4 mm.	1
37	00-479976	Washer - Conical	1
38	SC-118-70	Cap Screw M8 x 20 mm Flat Hd.	1
39	00-479890	Link - Long	1
40	00-479893	Lever - S	1
41	00-479891	Lever - Motor Switch	1
42	WS-030-32	Washer 6.4mm x 12.5mm x 1.5mm	1
43	NS-048-47	Nut - Lock Special M6 Hex	1
44	00-479888	Link - Short	1
45	00-479892-00002	Bushing M8 x 15 mm	2
46	RR-011-88	Retaining Ring Series 8	2
47	SL-005-09	Spring - Loading	2
48	NS-048-48	Nut - Lock Special M8 Hex	2
49	WS-030-66	Washer 8.4 mm.	2
50	SL-005-13	Spring - Loading Din 137A	2
51	00-479892-00005	Bushing 10 x 7	2
52	00-479857	Lever - S - Flywheel	1
53	00-479892-00003	Bushing 8 x 6	2
54	RR-011-88	Retaining Ring Series 8	2
55	SL-005-09	Spring - Loading	2
56	00-479890	Link - Long	1
57	SL-005-09	Spring - Loading	2
58	00-479892-00002	Bushing M8 x 15 mm	2
59	RR-011-88	Retaining Ring Series 8	2
60	00-479892-00003	Bushing 8 x 6	2
61	RR-011-88	Retaining Ring Series 8	2
62	SL-005-09	Spring - Loading	2
63	00-479888	Link - Short	1
64	00-479917	Bar - Articulation	1
65	RS-032-99	Rivet - Pop	3
66	00-479985	Guide - Comb	3
67	00-873035	Stop - Rubber	2
68	00-479892-00001	Bushing 8 x 2	2
69	SL-005-09	Spring - Loading	2
70	RR-011-88	Retaining Ring Series 8	2

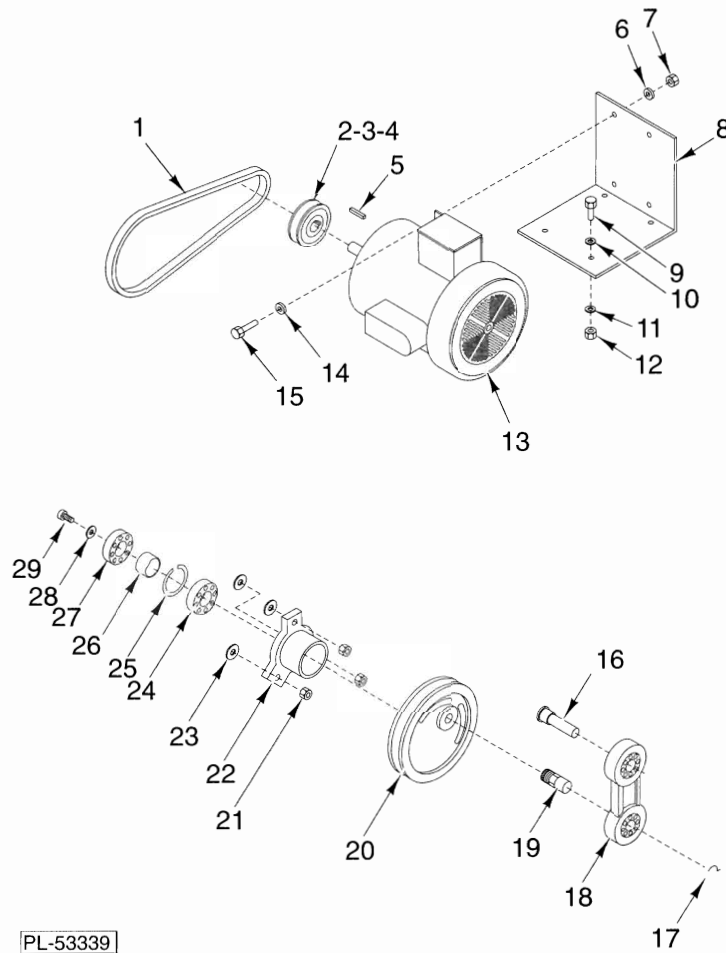


PL-53338

FRAME UNIT

FRAME UNIT

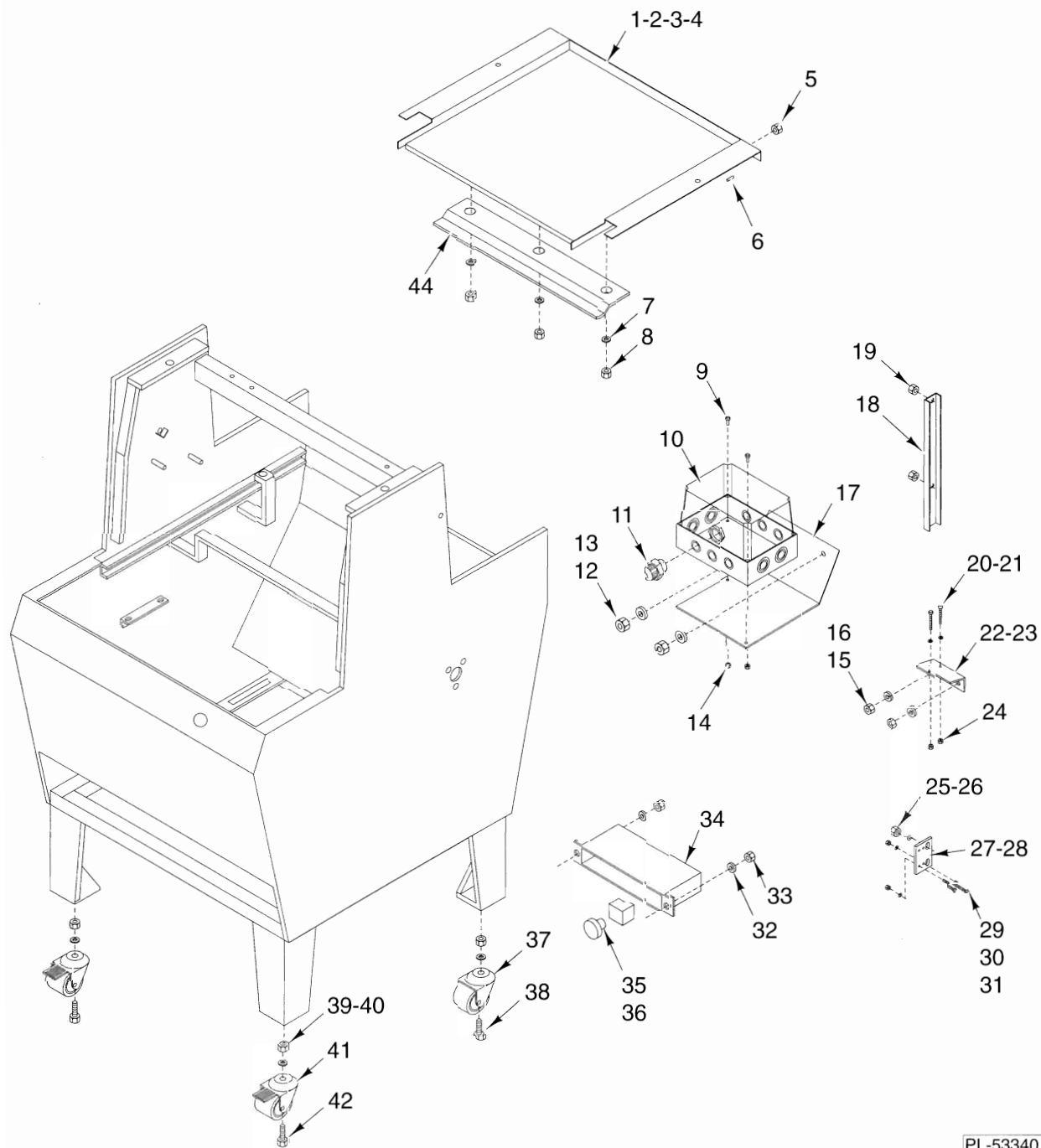
ILLUS. PL-53338	PART NO.	NAME OF PART	AMT.
1	00-873052	Cover - Rear Frame	1
2	SC-121-22	Mach. Screw M4 x 0.7 x 16mm Cheese Hd.	2
3	00-479847	Cover - Front Frame	1
4	00-479835-00001	Plate - Threaded (1/2" Slice Thickness)	2
5	00-479835-00002	Plate - Threaded (3/8" Slice Thickness)	2
6	SC-124-65	Set Screw M8 x 50 mm Hdls., Flat Pt.	AR
7	SC-121-15	Cap Screw M8 x 16mm Hex Hd.	4
8	WL-019-74	Lockwasher 8.2mm Medium	4
9	WS-030-44	Washer 8.4 x 16	4
10	SC-121-15	Cap Screw M8 x 16mm Hex Hd.	4
11	WL-019-74	Lockwasher 8.2mm Medium	4
12	NS-048-53	Nut - Wing M8	4
13	WL-019-74	Lockwasher 8.2mm Medium	4
14	00-479837	Frame - Linkage Fastener	8
15	00-479975	Frame - Linkage 140MM	4
16	WS-030-44	Washer 8.4 x 16	4
17	SC-118-45	Cap Screw M8 x 20mm Hex Hd.	4
18	00-873071-00001	Frame - Rear (1/2")	1
19	00-873071-00002	Frame - Rear (3/8")	1
20	00-479931	Cap - Frame	4
21	00-479979	Washer (Set)	1
22	SC-119-25	Cap - Screw M8 x 100 mm Hex Hd.	4
23	WS-030-44	Washer 8.4 x 16	4
24	00-479974	Bushing - Shaft Half	4
25	BB-005-46	Ball Bearing - Fafnir 204KDDFS50545	2
26	WS-030-44	Washer 8.4 x 16	4
27	NS-048-48	Nut - Lock Special M8 Hex	4
28	SC-124-62	Cap Screw M10 x 60 mm Soc. Hd.	4
29	WL-019-89	Lockwasher M10	4
30	WS-030-46	Washer 10.5 x 22	4
31	BB-005-19	Ball Bearing - Fafnir #H202PP	4
32	SC-118-68	Cap Screw M6 x 20mm Soc. Fil. Hd.	4
33	SC-121-87	Cap Screw M8 x 40mm Hex Hd.	2
34	WL-019-74	Lockwasher 8.2mm Medium	2
35	00-479831	Axle - Oscillating Assy. (Incls. item 31)	1
36	00-479825-00002	Holder - Knife (Left)	AR
37	00-479825-00001	Holder - Knife (Right)	AR
38	00-873070-00001	Frame - Front (1/2" Slice Thickness)	1
39	00-873070-00002	Frame - Front (3/8" Slice Thickness)	1
40	00-479825-00002	Holder - Knife (Left)	AR
41	00-479824	Knife 10 mm	AR
42	00-873013	Brush - Cleaning	1



DRIVE UNIT

DRIVE UNIT

ILLUS. PL-53339	PART NO.	NAME OF PART	AMT.
1	BV-004-01	"V" - Belt (A31)	1
2	00-479930	Pulley A-56	1
3	SC-117-33	Set Screw M8 x 1.25 x 12mm Hdls. Cup Pt.	1
4	SC-117-35	Set Screw M6 x 1.0 x 10 mm Hdls., Cup Pt.	1
5	00-873051	Key - Motor Shaft	1
6	WS-030-44	Washer 8.4 x 16	4
7	NS-048-48	Nut - Lock Special M8 Hex	4
8	00-479925	Support - Motor	1
9	SC-118-45	Cap Screw M8 x 20mm Hex Hd.	4
10	WS-030-44	Washer 8.4 x 16	4
11	WS-030-44	Washer 8.4 x 16	4
12	NS-048-48	Nut - Lock Special M8 Hex	4
13	00-479884	Motor (Incls. item 5)	1
14	WS-030-44	Washer 8.4 x 16	4
15	SC-118-45	Cap Screw M8 x 20mm Hex Hd.	4
16	00-479841	Pin - Swiveling Axle	1
17	RR-012-06	Retaining Ring Din 471	1
18	00-479885	Rod - Connecting	1
19	00-479840	Pin - Swiveling	1
20	00-479839	Flywheel - Groove A	1
21	NS-048-49	Nut - Lock M10 Special Hex	3
22	00-479838	Axle - Flywheel Box	1
23	00-873064	Washer M10 Dia.	3
24	BB-017-39	Ball Bearing - MRC 205 SZZ-01-ST-A-92-C	1
25	RR-012-07	Retaining Ring Met Din 472	1
26	00-479884	Spacer - Axle Box	1
27	BB-017-39	Ball Bearing - MRC 205 SZZ-01-ST-A-92-C	1
28	WS-030-66	Washer 8.4 mm.	1
29	SC-121-15	Cap Screw M8 x 16mm Hex Hd.	1



PL-53340

REAR TABLE & CONTROL BOX

REAR TABLE & CONTROL BOX

ILLUS. PL-53340	PART NO.	NAME OF PART	AMT.
1	00-479875	Table - Non-Indented	1
2	SC-120-56	Mach. Screw M4 x 0.7 x 20mm Cheese Hd.	2
3	NS-048-46	Nut - Lock Special M4 Hex	6
4	00-873053	Magnet	1
5	NS-047-34	Nut - Crown M6 x 1 SST.	2
6	00-873142-00002	Stud	2
7	WS-030-43	Washer 6.4 mm	3
8	NS-048-47	Nut - Lock Special M6 Hex	3
9	SC-120-61	Mach. Screw M4 x 07 x 10mm Cheese Hd.	2
10	00-479983	Box - Control w/Cover	1
11	FE-024-10	Strain Relief	AR
12	NS-048-47	Nut - Lock Special M6 Hex	2
13	WS-030-32	Washer 6.4mm x 12.5mm x 1.5mm	2
14	NS-048-46	Nut - Lock Special M4 Hex	2
15	NS-048-47	Nut - Lock Special M6 Hex	3
16	WS-030-32	Washer 6.4mm x 12.5mm x 1.5mm	2
17	00-479889	Support - Electrical Box	1
18	00-479918	Channel - Wiring	1
19	NS-048-47	Nut - Lock Special M6 Hex	2
20	SC-121-81	Mach. Screw M4 x 40mm Phil. Cheese Hd.	2
21	WS-030-51	Washer 4.3mm x 12mm x 1.0mm	2
22	00-479986	Bracket - Drawer Switch	1
23	00-087711-00314	Switch - Limit (Drawer)	1
24	NS-048-46	Nut - Lock Special M4 Hex	2
25	NS-048-47	Nut - Lock Special M6 Hex	3
26	WS-030-32	Washer 6.4mm x 12.5mm x 1.5mm	2
27	00-479928	Plate - Adapter	1
28	00-087711-00313	Switch - Limit (Front Limit)	1
29	SC-118-39	Mach. Screw M4 x 30 mm Flat Hd.	2
30	WS-030-51	Washer 4.3mm x 12mm x 1.0mm	2
31	NS-048-46	Nut - Lock Special M4 Hex	2
32	WS-030-51	Washer 4.3mm x 12mm x 1.0mm	2
33	NS-048-46	Nut - Lock Special M4 Hex	2
34	00-479908	Box - Switch	1
35	00-087711-00317	Switch - Operator	1
36	00-087711-00318	Switch - Contact Block	1
37	00-479927	Caster - W/O Brake	2
38	SC-124-61	Cap Screw M10 x 1.50 x 40mm Hex Hd.	2
39	NS-048-48	Nut - Lock Special M8 Hex	4
40	WS-030-46	Washer 10.5 x 22	4
41	00-479887	Caster - W/Brake	2
42	SC-124-61	Cap Screw M10 x 1.50 x 40mm Hex Hd.	2
43	00-873028	Switch - Reed	1
44	00-873275	Support - Rear Table	1
	00-088196-00031	Relay - Overload	1
	00-087713-00100	Contactactor	1
	00-873025	Block - Terminal	2
	00-873024	Block - Terminal (Ground)	2
	00-873050	Cover - Terminal Block	1

— NOTES —