



BAXTER

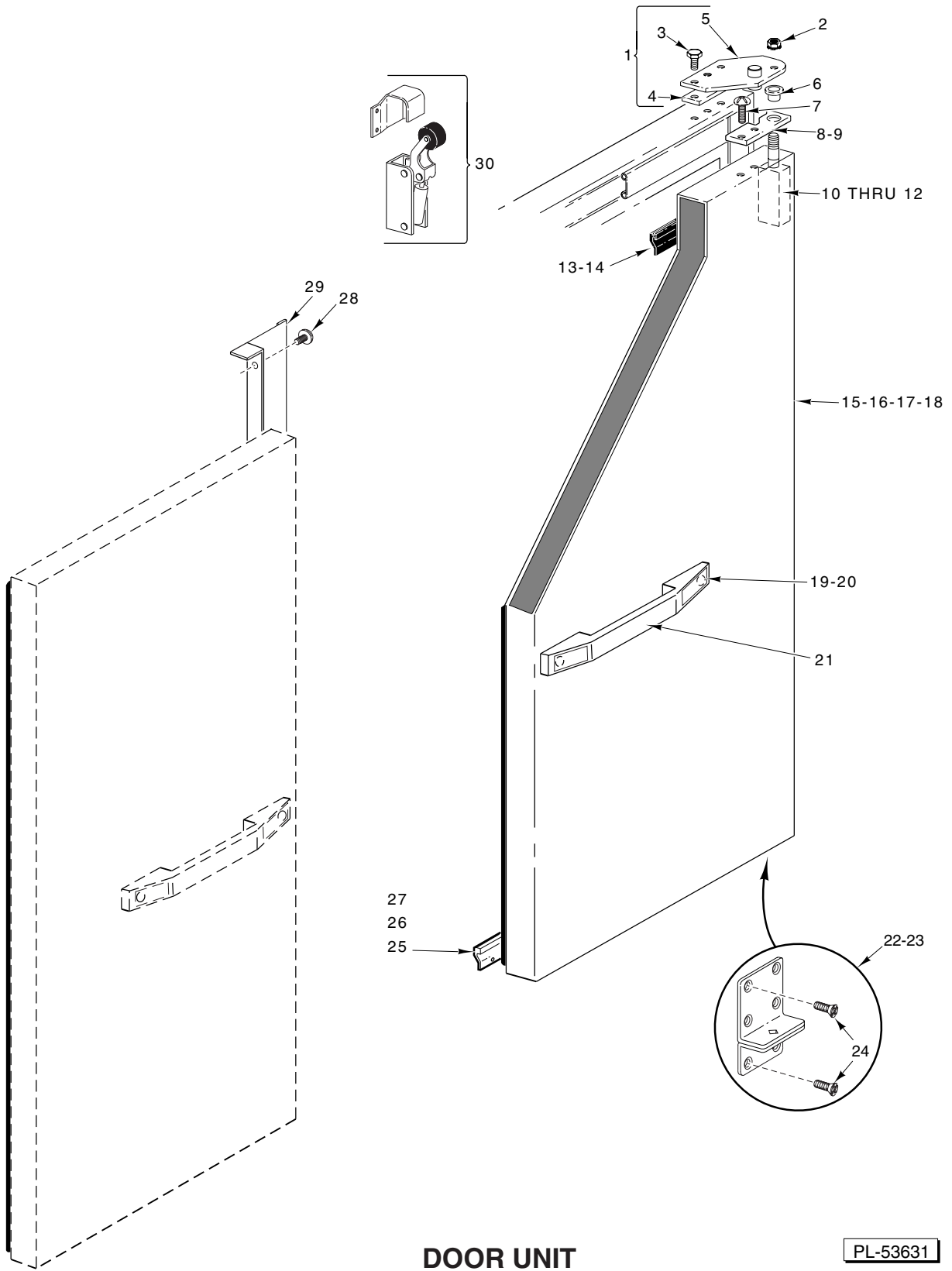
HOBART

CATALOG OF REPLACEMENT PARTS



HPB/BAPB SERIES ROLL-IN PROOF BOXES

HPB1	ML-132003
HPB2	ML-132004
HPB4	ML-132005
BAPB1	ML-132006
BAPB2	ML-132007
BAPB4	ML-132008

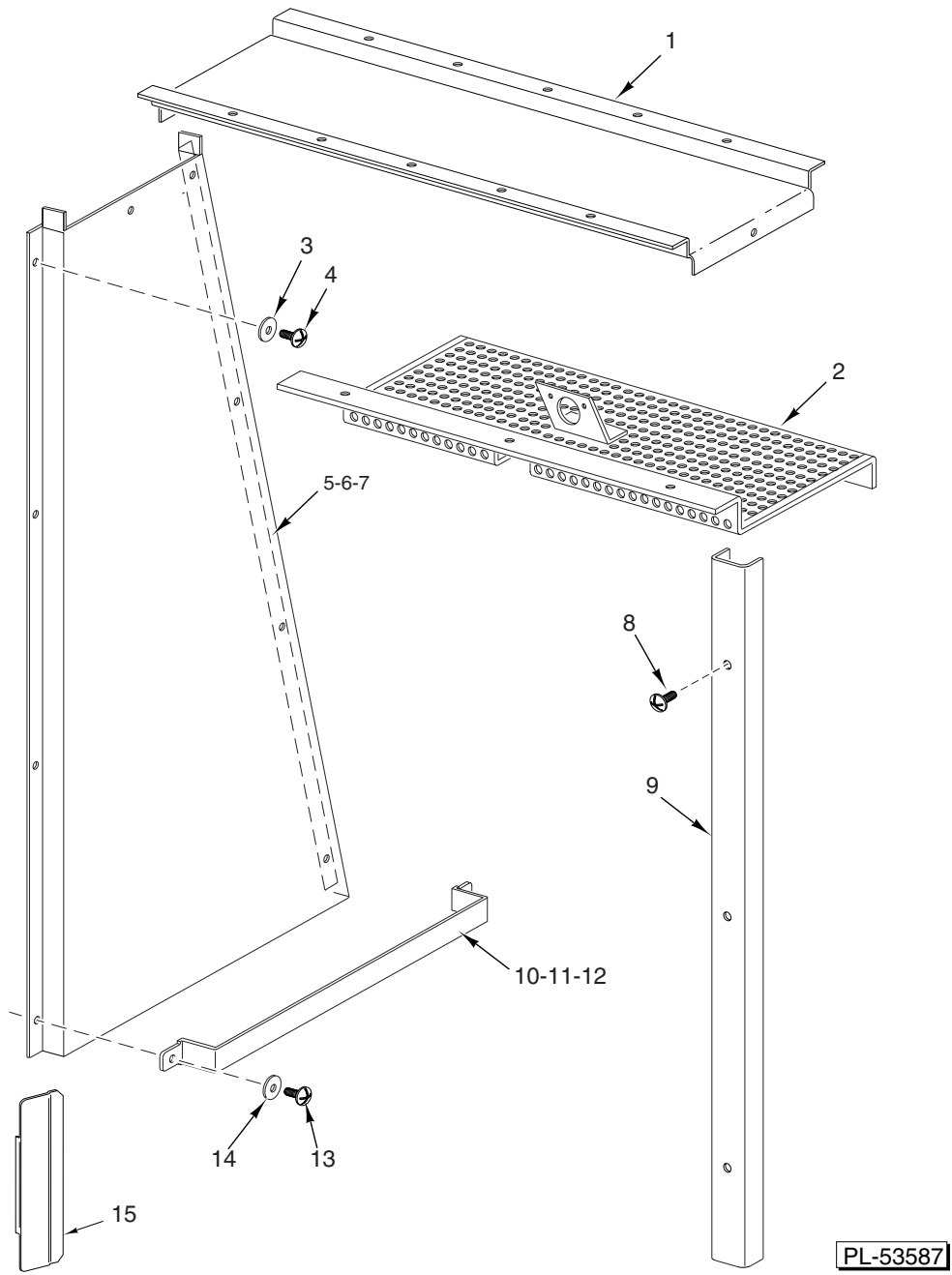


DOOR UNIT
DOOR UNIT

PL-53631

DOOR UNIT

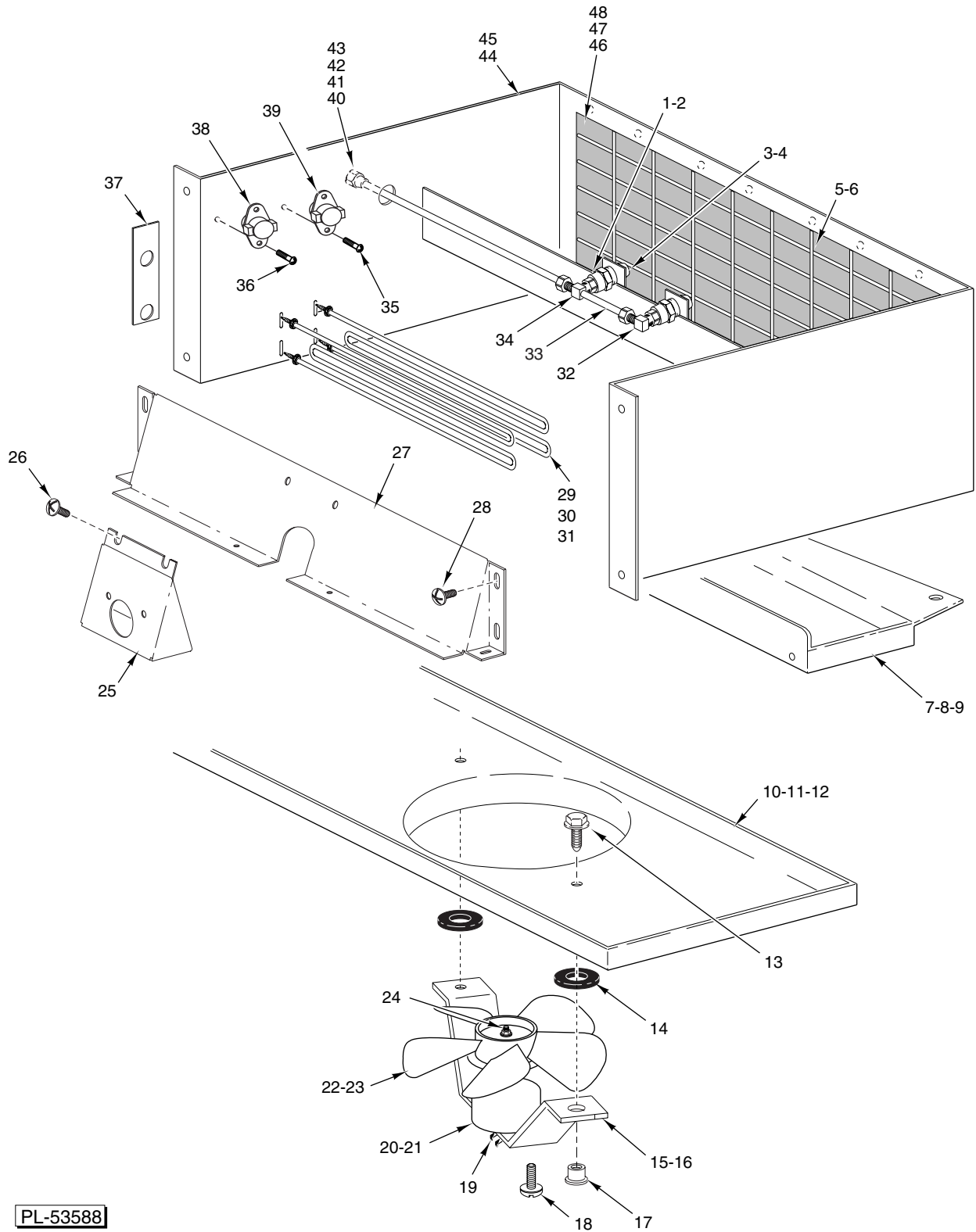
ILLUS. PL-53631	PART NO.	NAME OF PART	AMT.
1	00-267261-00018	Hinge Assy. (Incls. Items 3, 4, & 5)	1
2	NS-048-66	Nut – Stop 1/4-28	2
3	SD-038-71	Self-Tapping Screw 5/16-18 Hex Hd., Type TT	3
4	00-265716	Plate – Washer Hinge	3
5	00-283065	Plate – Mounting Hinge (Door)	1
6	00-239558	Bushing – Door Stop	2
7	SD-015-19	Self-Tapping Screw 10-24 x 1/2 Phil. Pan Hd., Type TT	2
8	00-239665	Stop – Door (LH)	1
9	00-239666	Stop – Door (RH)	1
10	00-239157	Hinge Mechanism Assy.	2
11	SA-021-45	Mach. Screw 10-32 x 5/16 Phil. Bind. Hd.	4
12	WS-019-20	Washer	4
13	00-283091-00002	Gasket – Door (ML-132003) (ML-132006)	1
14	00-283089-00007	Gasket – Door (ML-132004) (ML-132005) (ML-132007) (ML-132008)	1
15	00-837501-00096	Face – Door (RH) (ML-132004) (ML-132005) (ML-132007) (ML-132008)	1
16	00-837501-00100	Face – Door (LH) (ML-132004) (ML-132005) (ML-132007) (ML-132008)	1
17	00-837501-00098	Face – Door (RH) ML-132003) (ML-132006)	1
18	00-837501-00081	Face – Door (LH) (ML-132003) (ML-132006)	1
19	00-214317	Screw 10-24 x 1/2 Phil. Hd. (ML-132003) (ML-132006)	2
20	SD-015-19	Self-Tapping Screw 10-24 x 1/2 Phil. Pan Hd., Type TT	2
21	00-283237	Handle – Door	1
22	00-282259-00001	Bracket Hinge Assy. (LH)	1
23	00-282259-00002	Bracket Hinge Assy. (RH)	1
24	SD-038-34	Self-Tapping Screw 1/4-20 x 1 1/4 Phil. Flat Hd., Type F	12
25	00-432344	Wiper Assy. (ML-132003) (ML-132006)	1
26	00-432344-00002	Wiper Assy. (ML-132004) (ML-132005) (ML-132007) (ML-132008)	1
27	SD-033-32	Self-Tapping Screw 8 x 7/8 Phil. Truss Hd., Type A	AR
28	SD-015-19	Self-Tapping Screw 10-24 x 1/2 Phil. Pan Hd., Type TT	9
29	00-837501-00101	Plate – Seal Door (ML-132004) (ML-132005) (ML-132007) (ML-132008)	1
30	00-282227	Closer – Door	1



CABINET INTERIOR

CABINET INTERIOR

ILLUS. PL-53587	PART NO.	NAME OF PART	AMT.
1	00-837501-00201	Duct – Top Span	1
2	00-837501-00266	Cover – System Intake (ML-132004) (ML-132005) (ML-132007) (ML-132008)	1
3	WS-019-20	Washer (ML-132004) (ML-132005) (ML-132007) (ML-132008)	AR
4	SC-066-19	Mach. Screw 10-32 x 7/16 Phil. Truss Hd. (ML-132004) (ML-132005) (ML-132007) (ML-132008)	AR
5	00-281937	Duct – Air (Down) (ML-132003) (ML-132006) (Not Shown)	AR
6	00-837501-00202	Duct – Vertical Down (RH) (ML-132004) (ML-132005) (ML-132007) (ML-132008)	AR
7	00-837501-00203	Duct – Vertical Down (LH) (ML-132004) (ML-132005) (ML-132007) (ML-132008)	AR
8	SC-066-19	Mach. Screw 10-32 x 7/16 Phil. Truss Hd. (ML-132004) (ML-132005) (ML-132007) (ML-132008)	AR
9	00-281944	Bumper (ML-132003) (ML-132006) (Not Shown)	2
10	00-281945	Bracket – Bumper Mounting (ML-132003) (ML-132006) (Not Shown)	2
11	00-837501-00247	Bumper – Rear (ML-132004) (ML-132005) (ML-132007) (ML-132008)	2
12	00-837501-00248	Bumper – Side (ML-132004) (ML-132005) (ML-132007) (ML-132008)	2
13	SC-066-19	Mach. Screw 10-32 x 7/16 Phil. Truss Hd. (ML-132004) (ML-132005) (ML-132007) (ML-132008)	AR
14	WS-019-20	Washer (ML-132004) (ML-132005) (ML-132007) (ML-132008)	AR
15	00-282260	Guard – Scuff (SST) (2 Per Door Opening)	2
	00-265780-00001	Insert – AVDEL (Alum.) (Use with Item 6) (ML-132003) (ML-132006)	6
	00-266357-00003	Thumb Screw 10-32 (ML-132003) (ML-132006)	6

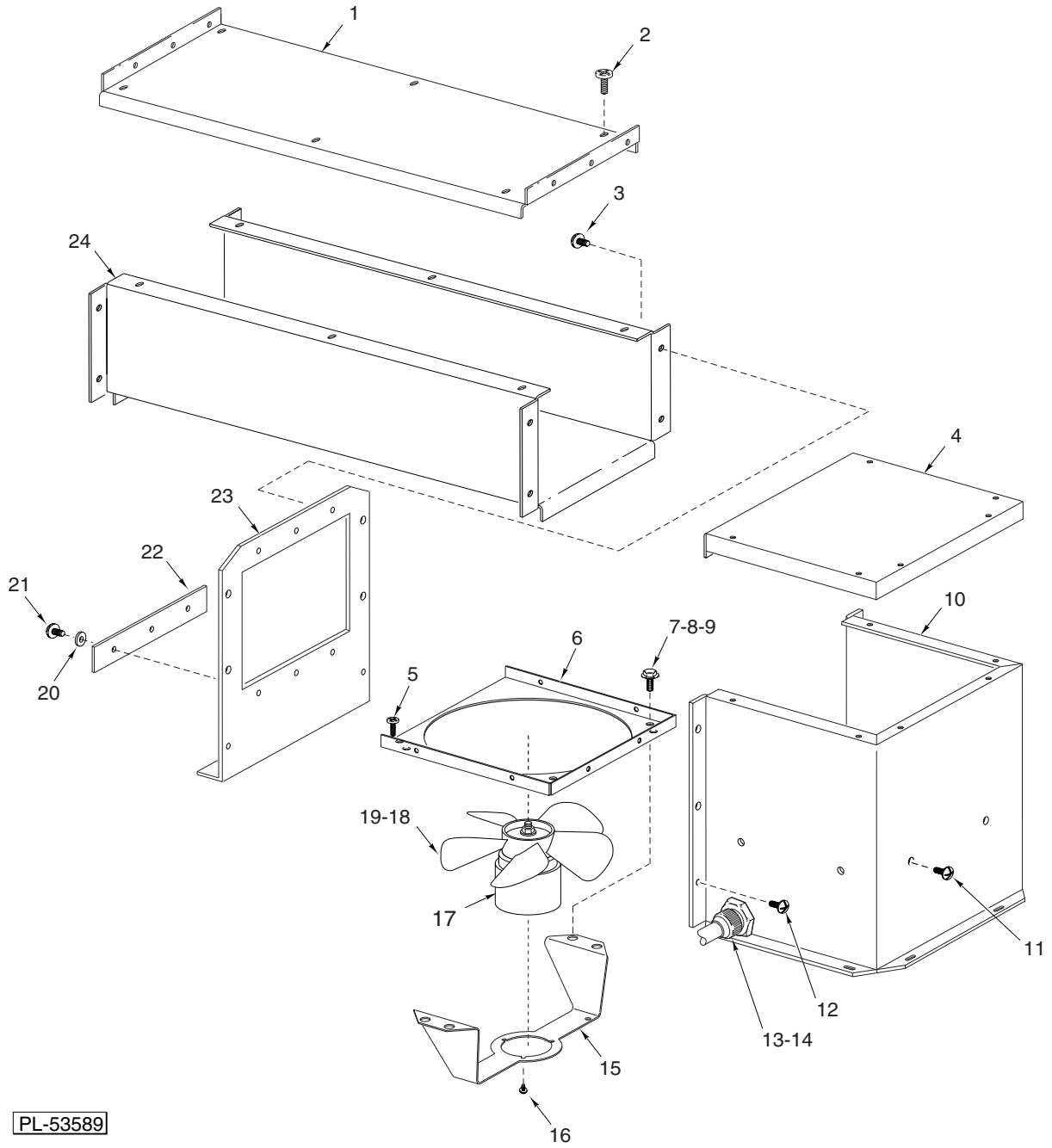


PL-53588

AIR WASH CHAMBER UNIT

AIR WASH CHAMBER UNIT

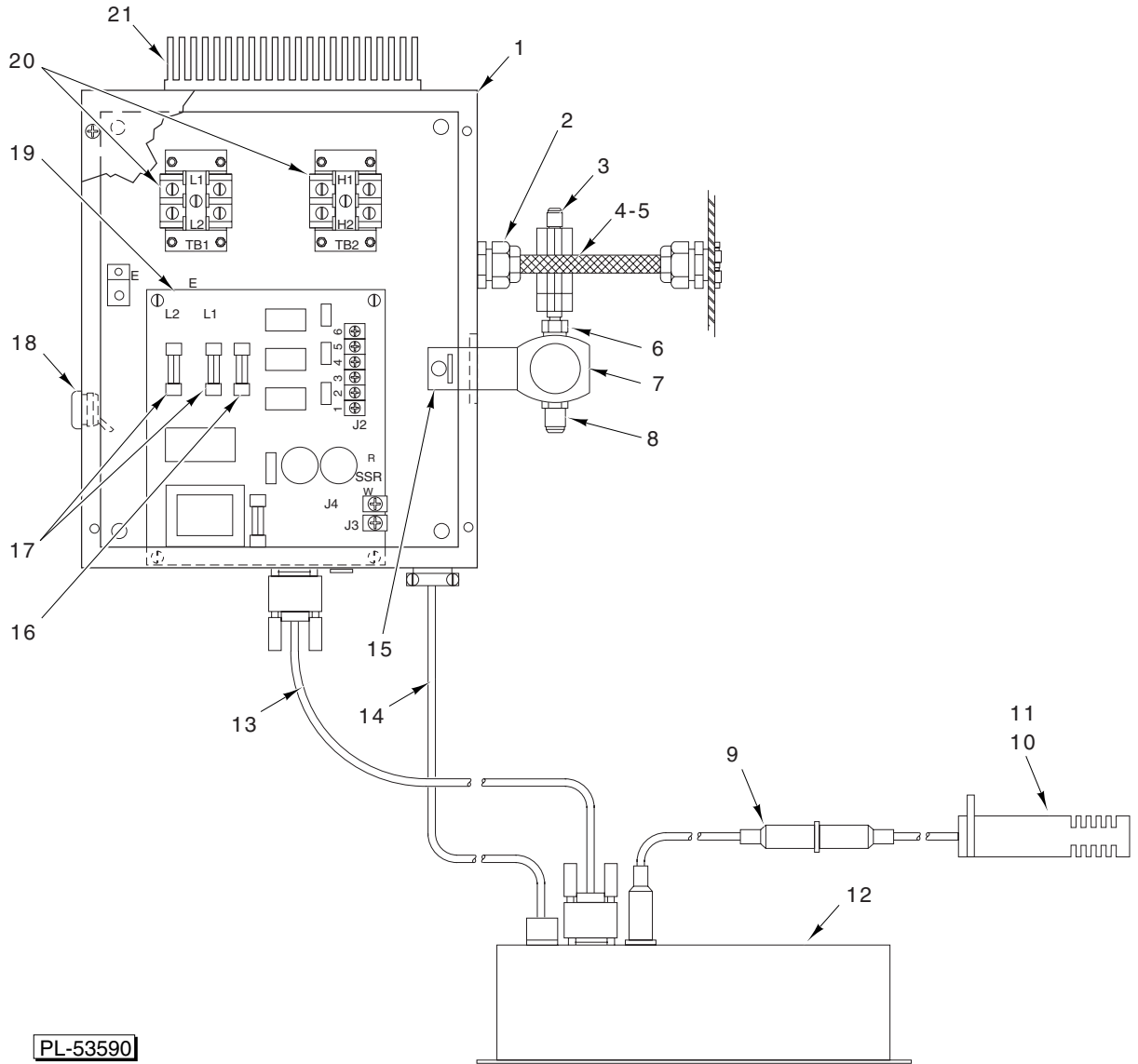
ILLUS. PL-53588	PART NO.	NAME OF PART	AMT.
1	00-281909	Adapter – Nozzle	AR
2	00-837522-00014	Connector – 1/4 Male (ML-132003) (ML-132006)	1
3	00-687926	Nozzle (2.0 GPM) (45 Deg.) (ML-132003) (ML-132006)	1
4	00-837522-00024	Nozzle (2.4 GPM) (80 Deg.) (ML-132004) (ML-132005) (ML-132007) (ML-132008)	AR
5	00-837501-00042	Screen (ML-132003) (ML-132006)	1
6	00-837501-00037	Screen (ML-132004) (ML-132005) (ML-132007) (ML-132008)	2
7	00-837501-00021	Tray – Drip (ML-132003) (ML-132006)	1
8	00-837501-00014	Tray – Drip (ML-132004) (ML-132005) (ML-132007) (ML-132008)	1
9	SD-033-32	Self-Tapping Screw 8 x 7/8 Phil. Truss Hd., Type A	1
10	00-837501-00028	Orifice – Fan (1-Rack) (ML-132003) (ML-132006)	1
11	00-837501-00245	Orifice – Fan (2-Rack) (ML-132004) (ML-132007)	1
12	00-837501-00258	Orifice – Fan (4-Rack) (ML-132005) (ML-132008)	1
13	SC-115-68	Mach. Screw 1/4-20 x 3/4 Hex Washer Hd.	AR
14	FE-025-52	Bushing – Elect. Armor	AR
15	00-282727	Bracket – Fan (ML-132003) (ML-132004) (ML-132006) (ML-132007)	1
16	00-837501-00256	Bracket – Fan (ML-132005) (ML-132008)	1
17	00-263175	Well Nut	AR
18	00-265181	Screw 8-36 x 3/8 Phil. Rd. Hd. (Use With Item 15 or 16)	AR
19	00-267884-00001	Lead – Wire (Ground) (ML-132004) (ML-132005) (ML-132007) (ML-132008)	1
20	00-281912	Motor – Fan (16 W.) (ML-132003) (ML-132004) (Mounting hardware supplied with motor) ..	1
21	00-837522-00026	Motor – Fan (35 W.) (ML-132005) (ML-132007) (ML-132008) (Mounting hardware supplied with motor)	1
22	00-265773-00001	Blade – Fan (9") (ML-132003) (ML-132004) (ML-132006) (ML-132007)	1
23	00-837522-00025	Blade – Fan (10") (ML-132005) (ML-132008)	1
24	00-263339	Nut – Hex 1/4-20 KEPS	1
25	00-837501-00094	Bracket – Sensor Mtg. (ML-132003) (ML-132006)	1
26	SD-039-17	Self-Tapping Screw 10-24 x 1/2 Phil. Pan Hd., Type F	2
27	00-837501-00044	Plenum – Air (ML-132003) (ML-132006)	1
28	SD-039-17	Self-Tapping Screw 10-24 x 1/2 Phil. Pan Hd., Type F	4
29	00-281914-00003	Heater (240 V.) (2400 W.) (17 Lg.) (ML-132003) (ML-132006)	2
30	00-281914-00001	Heater (240 V.) (2400 W.) (24 3/4 Lg.) (ML-132004) (ML-132007)	2
31	00-281914-00002	Heater (240 V.) (3000 W.) (24 3/4 Lg.) (ML-132005) (ML-132008)	2
32	FP-087-75	Pipe – Union Elbow (ML-132004) (ML-132005) (ML-132007) (ML-132008)	1
33	00-837501-00234	Waterline (Between Nozzles) (ML-132004) (ML-132005) (ML-132007) (ML-132008)	1
34	FP-087-74	Pipe – Union Tee 1/8 NPT to 1/4 Flare x 1/4 Flare (ML-132004) (ML-132005) (ML-132007) (ML-132008)	1
35	SD-039-16	Self-Tapping Screw 10-24 x 3/8 Phil. Pan Hd., Type F	2
36	SD-039-16	Self-Tapping Screw 10-24 x 3/8 Phil. Pan Hd., Type F	2
37	00-837501-00035	Plate – Elements Cover	AR
38	00-282759	Switch – Limit (250F) (Manual Reset)	1
39	00-282746	Switch – Limit (200F) (Auto Reset)	1
40	00-837501-00046	Interconnection – Water Line (ML-132003) (ML-132006)	1
41	00-837501-00223	Interconnection – Water Line (ML-132004) (ML-132007)	1
42	00-837501-00267	Interconnection – Water Line (ML-132005) (ML-132008)	1
43	00-837501-00268	Interconnection – Water Line (ML-132005) (ML-132008)	1
44	00-837501-00016	Basket – Spray (ML-132003) (ML-132006)	1
45	00-837501-00012	Basket – Spray (ML-132004) (ML-132005) (ML-132007) (ML-132008)	1
46	00-282925	Retainer – Screen (ML-132003) (ML-132006)	1
47	00-282926	Retainer – Screen (ML-132004) (ML-132005) (ML-132007) (ML-132008)	1
48	SD-032-31	Self-Tapping Screw 8-18 x 3/8 Phil. Pan Hd., Type B	AR
	00-837501-00029	Cover – System (ML-132003) (ML-132006)	1
	00-837501-00246	Cover – System (ML-132004) (ML-132007)	1
	00-837501-00214	Cover – System (ML-132005) (ML-132008)	1
	00-837501-00224	Wire – Jumper (Elements) (ML-132004) (ML-132005) (ML-132007) (ML-132008)	2
	00-837501-00078	Lead Wire (Thermal Cut-Off) (ML-132003) (ML-132006)	1
	00-283024	Clip – Wire	AR



FAN HOUSING UNIT
(FRONT)

FAN HOUSING UNIT (FRONT)

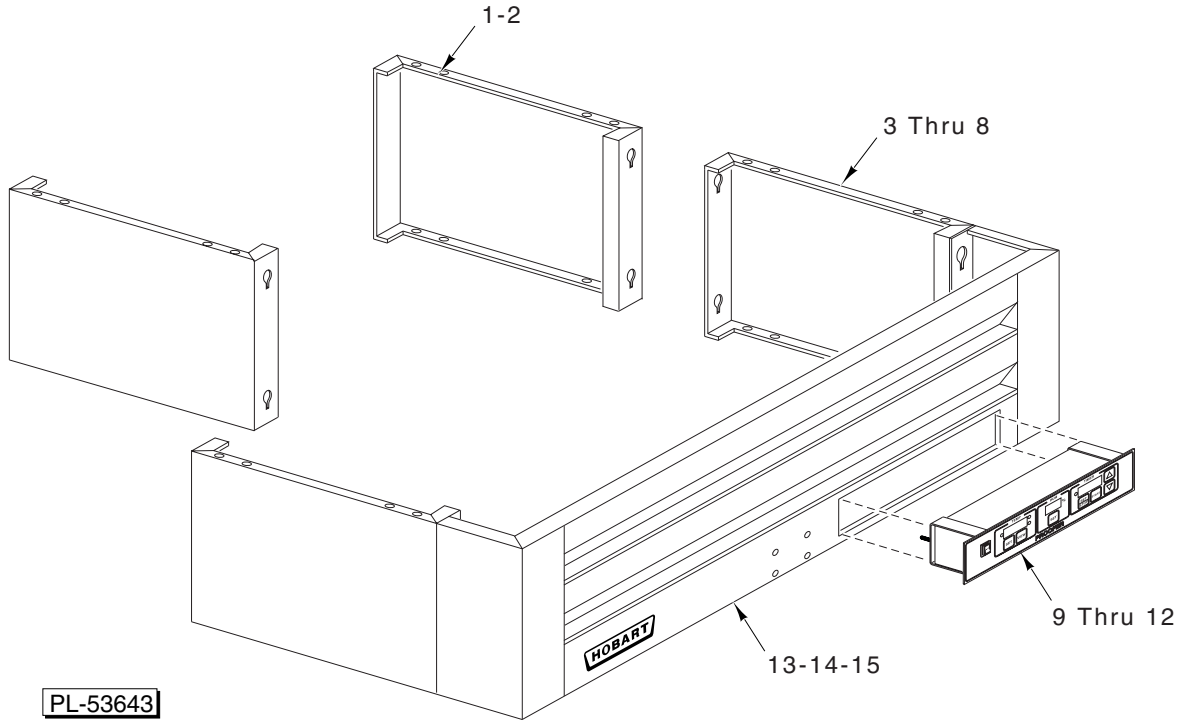
ILLUS. PL-53589	PART NO.	NAME OF PART	AMT.
1	00-837501-00210	Cover – Crossover (Rear) (ML-132005) (ML-132008)	1
2	SD-039-17	Self-Tapping Screw 10-24 x 1/2 Phil. Pan Hd., Type F	AR
3	SD-039-17	Self-Tapping Screw 10-24 x 1/2 Phil. Pan Hd., Type F	AR
4	00-837501-00213	Cover – Fan Housing (ML-132005) (ML-132008)	2
5	SD-012-38	Self-Tapping Screw 10-32 x 3/8 Hex Washer Hd., Type T	1
6	00-837501-00258	Orifice – Fan (10") (ML-132005) (ML-132008)	1
7	SC-115-68	Mach. Screw 1/4-20 x 3/4 Hex Washer Hd.	4
8	FE-025-52	Bushing – Electric Armor	4
9	00-263175	Well Nut	4
10	00-837501-00259	Housing – Fan (Front Module) (ML-132005) (ML-132008)	1
11	SD-039-16	Self-Tapping Screw 10-24 x 3/8 Phil. Pan Hd., Type F	6
12	SD-039-17	Self-Tapping Screw 10-24 x 1/2 Phil. Pan Hd., Type F	AR
13	00-837501-00272	Mesh – Jacket Conduit	2
14	FE-021-18	Strain – Relief (Electrical)	1
15	00-837501-00256	Bracket – Fan (ML-132005) (ML-132008)	1
16	00-283379	Self-Tapping Screw 8-36 x 7/16 Hex Washer Hd.	3
17	00-837522-00026	Motor – Fan (35 W.) (ML-132005) (ML-132008) (Mounting hardware supplied with motor)	AR
18	00-263339	Nut – Hex 1/4-20 KEPS	1
19	00-837522-00025	Blade – Fan (10") (ML-132005) (ML-132008)	1
20	WS-026-06	Washer (ML-132005) (ML-132008)	2
21	SD-039-16	Self-Tapping Screw 10-24 x 3/8 Phil. Pan Hd., Type F	2
22	00-837501-00212	Strap – Mounting (ML-132005) (ML-132008)	1
23	00-837501-00211	Face – Fan Housing (ML-132005) (ML-132008)	1
24	00-837501-00206	Duct – Rear Carry Over (ML-132005) (ML-132008)	1
	00-837501-00250	Fan Assy. (Incls. Items 5 thru 9 & 15 thru 18) (ML-132005) (ML-132008)	1
	00-837501-00244	Housing – Fan (ML-132004) (ML-132007)	1



CONTROL BOX UNIT

CONTROL BOX UNIT

ILLUS.	PART NO.	NAME OF PART	AMT.
PL-53590			
1	00-281969	Control Box (High Voltage)	1
2	FE-022-84	Strain Relief 1/2 NPT	1
3	00-281911	Filter – Water Line	1
4	00-837501-00276	Mesh – Braided (Expandable) (ML-132003) (ML-132006)	1
5	00-837501-00271	Mesh – Braided (Expandable) (ML-132004) (ML-132005) (ML-132007) (ML-132008)	1
6	FP-087-77	Coupling – Reducing (1/4 to 1/8)	1
7	00-281913	Valve – Solenoid	1
8	FP-087-76	Pipe Union – 1/4 NPT	1
9	00-837522-00018	Cable – Extension (ML-132005) (ML-132007) (ML-132008)	1
10	00-282215-00002	Probe – Temperature/Humidity Control (ML-132003) (ML-132006)	1
11	00-282216	Probe – Temperature/Humidity Control (ML-132004) (ML-132005) (ML-132007) (ML-132008)	1
12	00-281970	Control Panel Assy. (ML-132003) (ML-132004) (ML-132005)	1
13	00-281973	Cable – Control (9 Pin) (F/F)	1
14	00-281973	Cable – Control (9 Pin) (F/F)	1
15	FE-002-13	Connector Straight	1
16	FE-009-25	Fuse (0.5 Amp.)	1
17	FE-019-28	Fuse (10 Amp.) (250 V.)	1
18	00-837522-00034	Strain – Relief 3/8 to 1/2	1
19	00-281980	Board – Electronic	1
20	00-281979	Block – Terminal	2
21	00-281974	Relay (with Heat Sink)	1



PANELS

ILLUS.	PART NO.	NAME OF PART	AMT.
PL-53643			
1	00-837520-00030	Trim – End (Rear) (ML-132005)	2
2	00-837520-00033	Trim – End (Rear) (ML-132007) (ML-132008)	2
3	00-837520-00006	Trim – End Housing (ML-132006)	2
4	00-837520-00014	Trim – End (Housing) (ML-132003)	2
5	00-837520-00015	Trim – End (Front) (ML-132003)	2
6	00-837520-00027	Trim – End (Front) (ML-132004) (ML-132005)	2
7	00-837520-00031	Trim – End (Front) (ML-132004) (ML-132005)	2
8	00-837520-00032	Trim – End (Front) (ML-132008)	2
9	00-837522-00001	Panel – Front Proofer Control (ML-132006) (ML-132007) (ML-132008)	1
10	00-837522-00002	Panel – Thaw Proofer Control (ML-132006) (ML-132007) (ML-132008)	1
11	00-837522-00003	Overlay – Proofer Control (ML-132006) (ML-132007) (ML-132008)	1
12	00-837522-00004	Overlay – Thaw Proofer Control (ML-132006) (ML-132007) (ML-132008)	1
13	00-837520-00001	Panel – Front (ML-132007) (ML-132008)	1
14	00-837520-00011	Panel – Front (ML-132006)	1
15	00-837520-00028	Trim – Lower (ML-132004) (ML-132005)	2