



701 S Ridge Avenue, Troy, OH 45374
1-888-4HOBART • www.hobartcorp.com

CL_eN STEAM BLOWER-DRYER ACCESSORY



STANDARD FEATURES

- Stainless steel 33" long chamber
- Positive forced circulation of high velocity heated air
- Fits CL_eN models
- High velocity industrial type blower-dryer is quiet, giving truly high performance at a low sound level
- 2 H.P. blower
- 55 lbs. per hour steam consumption

DIRECTION OF OPERATION

- Right to Left
- Left to Right

VOLTAGE

- 480/60/3
- 208-240/60/3

MODEL

- CL_eN Steam Blower-Dryer

Specifications, Details and Dimensions on Inside and Back.

For use with
CL_eN Series Dishwashers



CL_eN STEAM BLOWER-DRYER ACCESSORY

CL_eN STEAM BLOWER-DRYER ACCESSORY L-R



701 S Ridge Avenue, Troy, OH 45374
1-888-4HOBART • www.hobartcorp.com

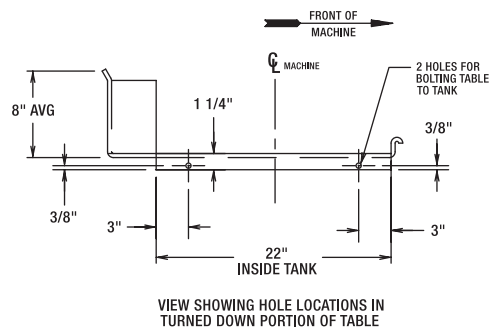
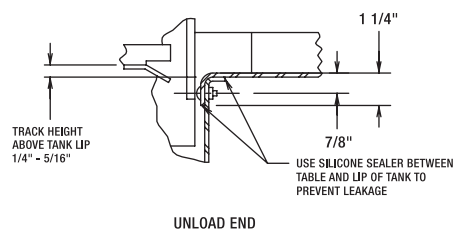
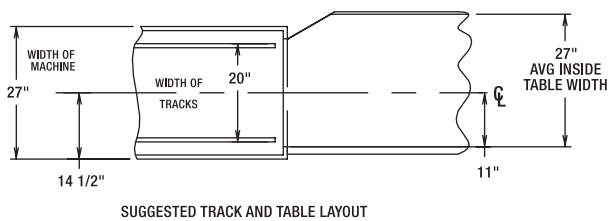
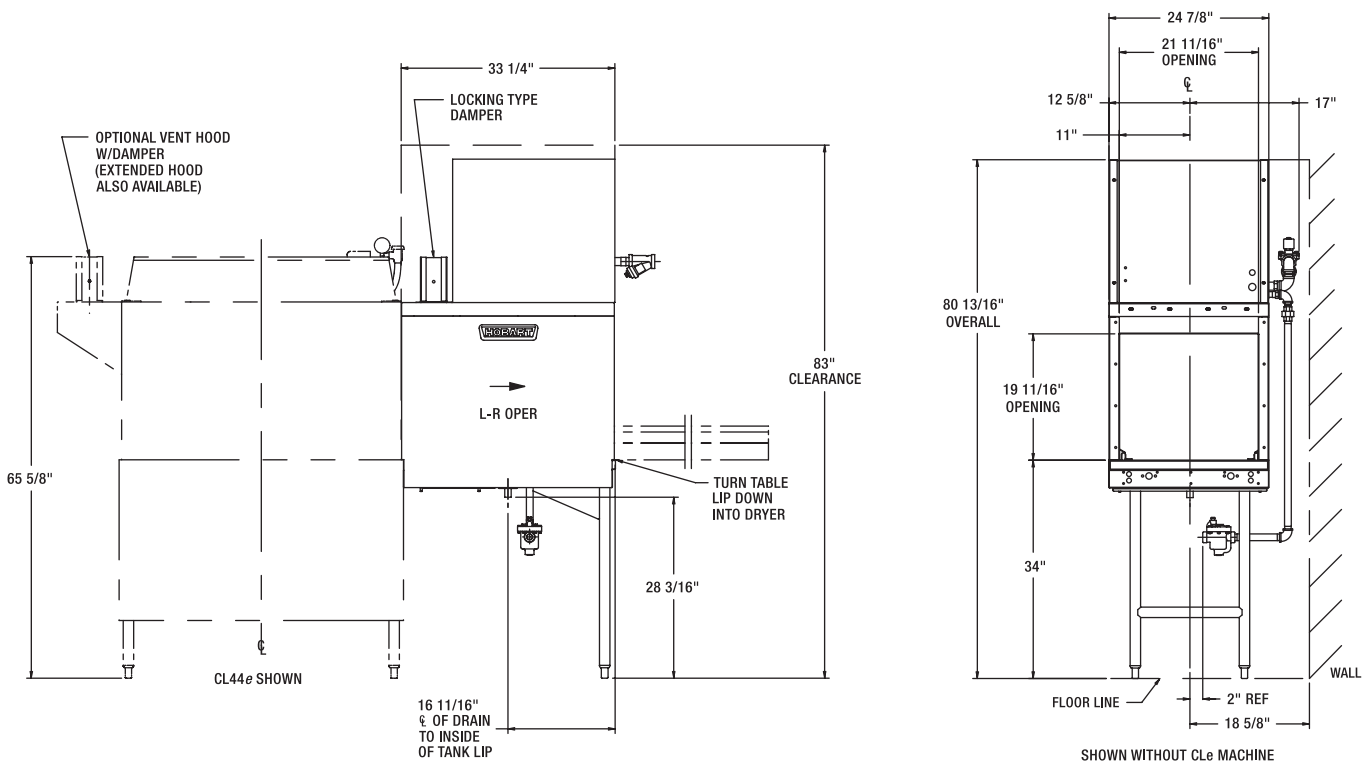
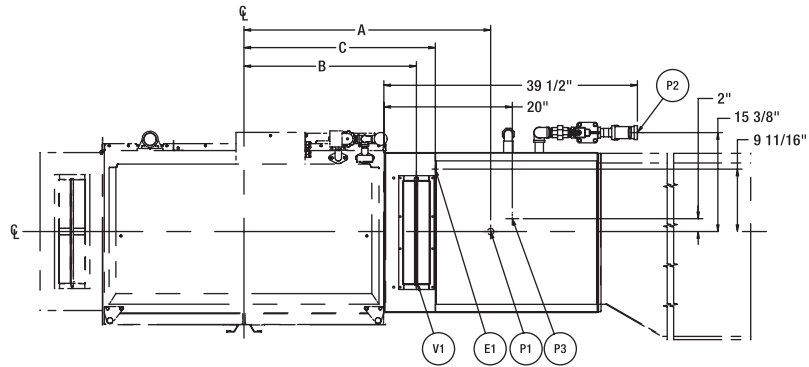
ELECTRICAL AND PLUMBING CONNECTIONS

CONNECTION INFORMATION
(AFF = ABOVE FINISHED FLOOR)

LEGEND

ELECTRIC AND STEAM HEATS

- E1 ELECTRIC CONNECTION: KNOCKOUT MADE BY CUSTOMER, 1-1/8" CONDUIT HOLE, 61" AFF
- P1 DRAIN CONNECTION IN DRYER TANK: 1" FPT.
- P2 STEAM SUPPLY CONNECTION: 1" FEMALE PIPE THREAD, 64-7/8" AFF.
- P3 STEAM CONDENSATE RETURN CONNECTION: 3/4" FEMALE PIPE THREAD. (BUCKET TYPE TRAPS FURNISHED), 22" AFF
- V1 VENT CONNECTION: (MUST FIT INSIDE) 4" X 16" VENT STACK, 400 C.F.M. EXHAUST

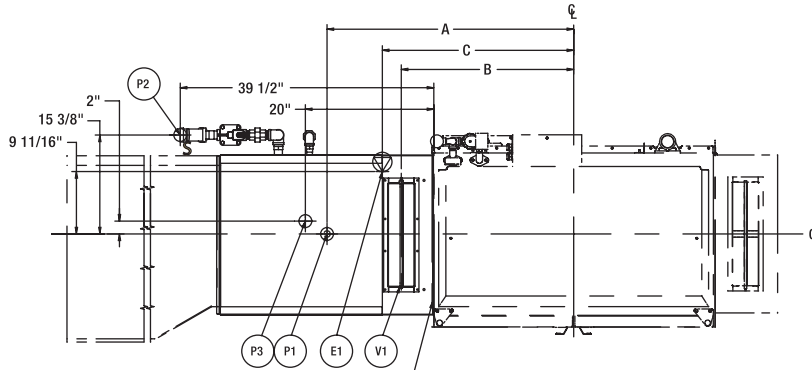


MODEL: CL_eN
BLOWER-DRYER
STEAM HEAT
L-R OPERATION
E-936796
REV D



701 S Ridge Avenue, Troy, OH 45374
1-888-4HOBART • www.hobartcorp.com

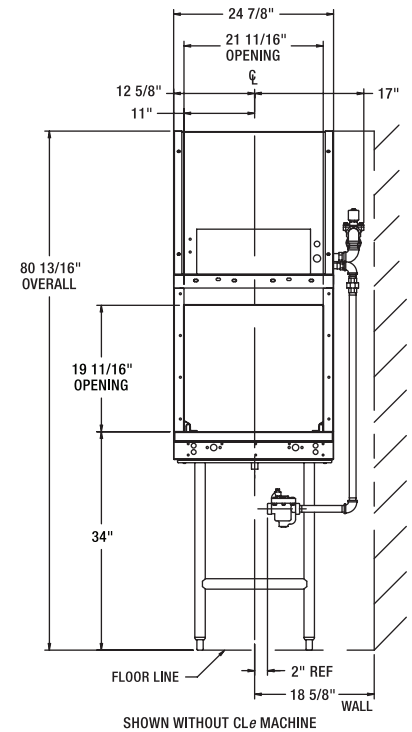
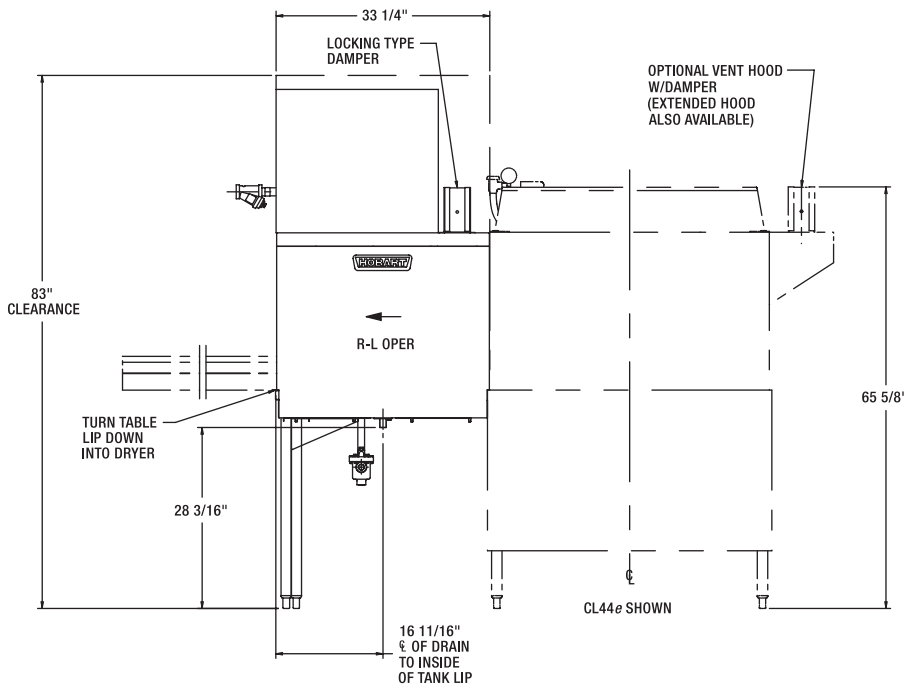
CL_eN STEAM BLOWER-DRYER ACCESSORY R-L



DRYER CHAMBER TO BE BOLTED TO WASH CHAMBER WITH 1/4"-20 X 5/8" HEX HEAD STAINLESS STEEL SCREWS THRU (19) 11/32" DIA. MATCHING HOLES. USE FOAM TAPE (1" WIDE X .060 THICK) AS A GASKET TO SEAL THIS JOINT.

SINGLE POINT ELECTRICAL CONNECTION
BLOWER MOTOR & STEAM HEAT
(3 PH ONLY)

| ELECTRICAL SPECS | RATED AMPS | MINIMUM SUPPLY CIRCUIT CONDUCTOR AMPACITY | MAXIMUM PROTECTIVE DEVICE |
|------------------|------------|---|---------------------------|
| 208/60/3 | 4.5 | 15 | 15 |
| 240/60/3 | 4.5 | 15 | 15 |
| 380/60/3 | 2.6 | 15 | 15 |
| 480/60/3 | 2.6 | 15 | 15 |
| 600/60/3 | 2.1 | 15 | 15 |
| 200/50/3 | 4.5 | 15 | 15 |
| 380-415/50/3 | 2.6 | 15 | 15 |



WARNING

ELECTRICAL AND GROUNDING CONNECTIONS MUST COMPLY WITH THE APPLICABLE PORTIONS OF THE NATIONAL ELECTRICAL CODE AND/OR OTHER LOCAL ELECTRICAL CODES.

ATTN: PLUMBING CONNECTIONS MUST COMPLY WITH APPLICABLE SANITARY, SAFETY, AND PLUMBING CODES.

| MODEL | DIMENSION A | DIMENSION B | DIMENSION C |
|----------|-------------|-------------|-------------|
| CL44eN | 38-7/16" | 26-3/4" | 29-13/16" |
| CLPS66eN | 38-7/16" | 26-3/4" | 29-13/16" |
| CLCS66eN | 38-7/16" | 26-3/4" | 29-13/16" |
| CL54eN | 48-3/16" | 36-5/8" | 39-9/16" |
| CLPS76eN | 48-3/16" | 36-5/8" | 39-9/16" |
| CLCS76eN | 48-3/16" | 36-5/8" | 39-9/16" |
| CL64eN | 48-7/16" | 36-3/4" | 39-13/16" |
| CLPS86eN | 48-7/16" | 36-3/4" | 39-13/16" |
| CLCS86eN | 48-7/16" | 36-3/4" | 39-13/16" |

NOTES:

- ALL DIMENSIONS TAKEN FROM FLOOR LINE MAY BE INCREASED APPROX. 3/4" OR DECREASED 1/2".
- FOR DIMENSIONS OF DISHWASHING MACHINE NOT SHOWN, SEE INSTALLATION DWG OF MACHINE USED.
- BLOWER MOTOR CONTROLLER IS CONTROLLED FROM DISHWASHER MOTOR CONTROL BOX AND OPERATES WITH DISHWASHER PUMP MOTORS.
- REFER TO VENTS AND HOODS SPECIFICATION SHEETS (F-7841) FOR MACHINE EXHAUST REQUIREMENTS.

MODEL: CL_eN
BLOWER-DRYER
STEAM HEAT
R-L OPERATION
E-936795
REV D

CL_eN STEAM BLOWER-DRYER ACCESSORY



701 S Ridge Avenue, Troy, OH 45374
1-888-4HOBART • www.hobartcorp.com

DESIGN: To promote rapid drying of tableware and trays by forced circulation of high velocity heated air through the blower dryer.

Heavy-duty direct drive industrial fan blows room air through a steam coil and large area ducting. Heated air directed vertically downward to drying area through rectangular orifice covering full width of chamber. Baffles below conveyor redirect air upward within drying area and minimize heating of discharge table or hot air contact with clean-dish operator at end of machine.

Any object which will pass through the machine will be handled at the dryer area without necessity of readjusting blower plenum upward or downward.

CONSTRUCTION: Chamber construction is stainless steel, welded and bolted. Vent is 4" x 16" inside dimension and contains a locking type control damper.

Stainless steel wrap-around encloses entire external component assembly consisting of steam coils, motor and blower. Blower dryer is approximately 17³/₈" above height of machine.

Tank portion is constructed of stainless steel with legs and lower cross-members of 1⁵/₈" stainless steel tubing and stainless steel adjustable feet.

Conveyor is Hobart "Dual Drive" with stainless steel pawls, designed to connect to CL_eN warewasher.

STEAM COILS: One double rowed heavy-duty high efficiency aluminum finned copper tube type heat exchanger. The steam blower comes with one of each of the following connections: a 1 inch female I.P.S. steam, and a ³/₄ inch I.P.S. steam condensate connections. Steam requirements are 55 lbs. at 20 psi. Maximum steam pressure 25 psi.

BLOWER: Industrial fan-type with direct drive wheel. Housing of welded construction.

2 H.P. Blower direct drive motor. Exhaust requirement is 200 to 400 CFM.

MOTOR: Splashproof enclosure, ventilated design. Furnished only in three-phase electrical specifications of the basic CL_eN Model in 208-240/60 and 480/60. The controller circuit operates on 115 volts supplied by the transformer on the dishwasher.

MOTOR CONTROL: Ambient temperature compensated automatic resetting solid state overload protection, pre-wired. Operation controlled by dishwasher motor switch, i.e. blower functions only during machine operation.

As continued product improvement is a policy of Hobart, specifications are subject to change without notice.