



CATALOG OF REPLACEMENT PARTS



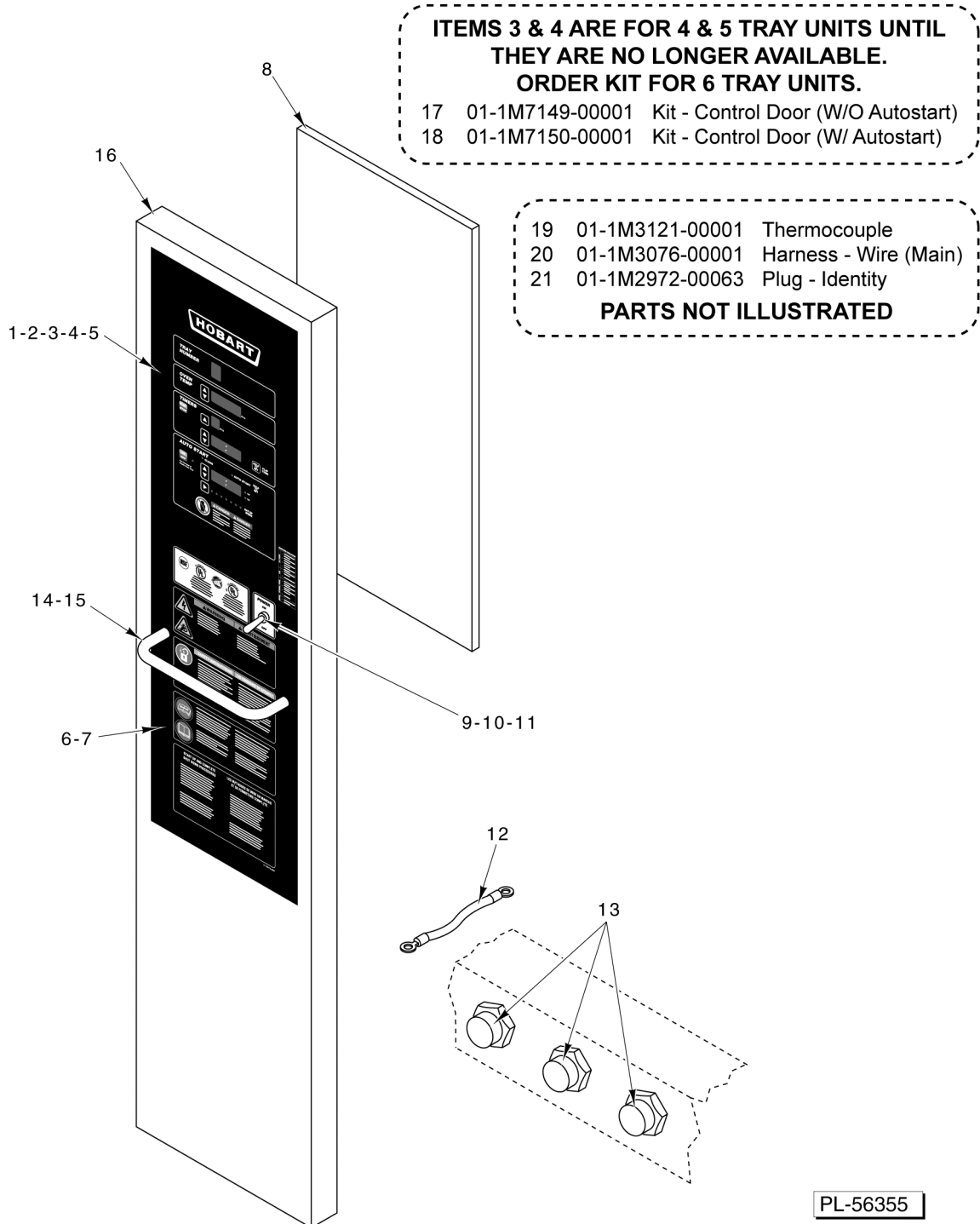
REVOLVING TRAY OVENS

ML-132258
ML-132259
ML-132260
ML-132261

HO851G-36
HO851G-30
HO851G-24
HO851G-18

Table of Contents

| | |
|----|--|
| 5 | STANDARD DIGITAL CONTROL PANEL |
| 7 | ADVANCED DIGITAL CONTROL PANEL (USED ON 6 TRAY OVENS ONLY) |
| 9 | CONTROL MODULE AND SERVICE ENTRANCE |
| 11 | CABINET ASSEMBLY |
| 13 | HOOD |
| 15 | LOADING AND SERVICE DOOR |
| 17 | MAIN DRIVE ASSEMBLY |
| 21 | MAIN DRIVE MOTOR ASSEMBLY |
| 23 | PURGE KIT |
| 25 | GAS SUPPLY ASSEMBLY |
| 27 | BURNER ASSEMBLY |

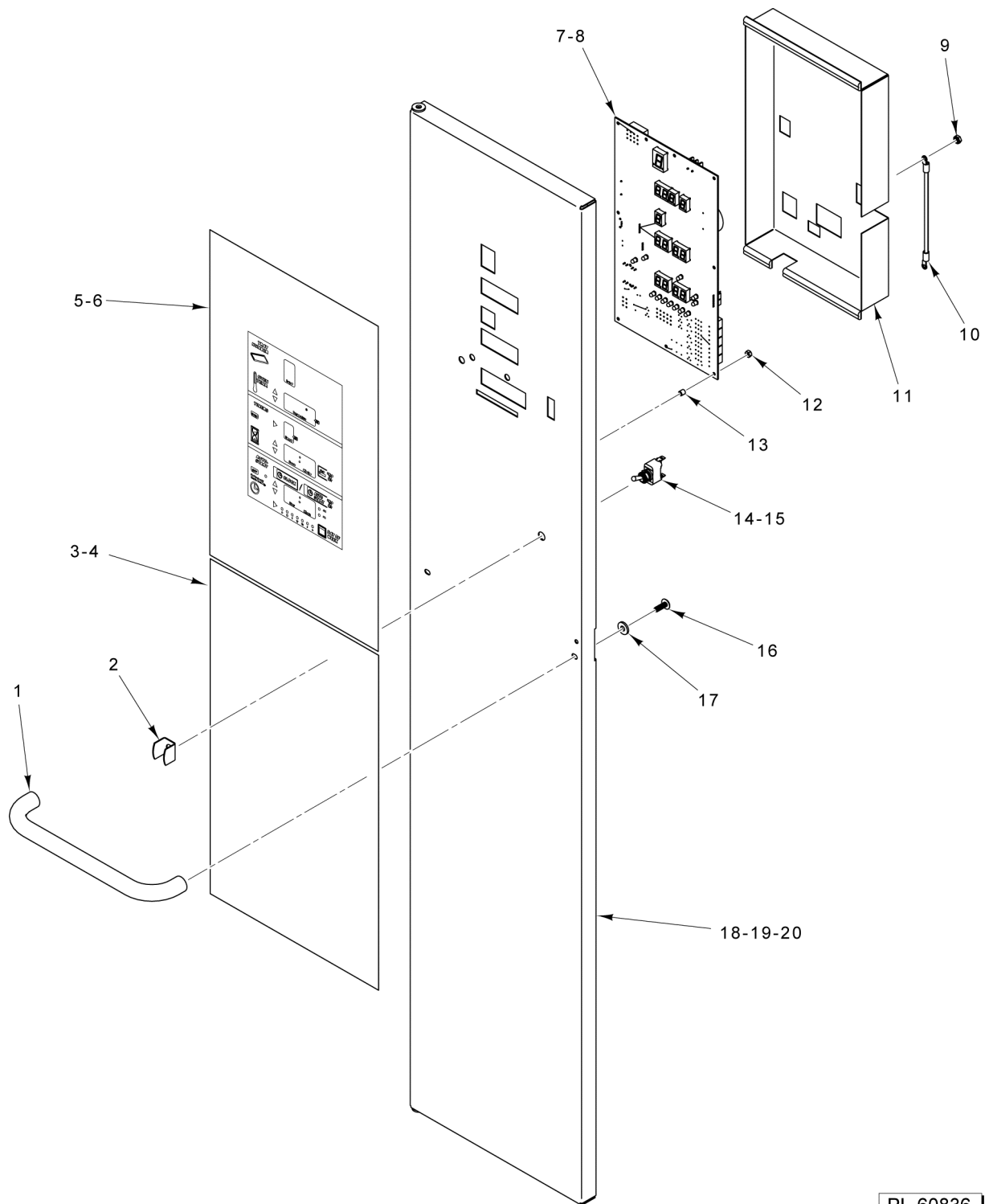


STANDARD DIGITAL CONTROL PANEL

PL-56355

STANDARD DIGITAL CONTROL PANEL

| ILLUS. PL-56355 | PART NO. | NAME OF PART | AMT. |
|--------------------|-----------------|---|------|
| 1 | 01-100V16-0676C | Label - Control Panel (Upper) (W/O Autostart)..... | 1 |
| 2 | 01-100V16-0676D | Label - Control Panel (Upper) (W/Autostart)..... | 1 |
| 3 | 01-1M3109-00001 | Control Board (W/O Autostart) (For 4 & 5 Tray Units. Order Item 17 For 6 Tray Units) | 1 |
| 4 | 01-1M3109-00002 | Control Board (W/Autostart) (For 4 & 5 Tray Units. Order Item 18 For 6 Tray Units) | 1 |
| 5 | 01-1M3001-00002 | Spacer - PC Board..... | 12 |
| 16 | 01-1M3074-00002 | Door Weldment (For 4 & 5 Tray Units. Order Item 17 or 18 For 6 Tray Units)..... | 1 |
| 8 | 01-1M3083-00001 | Cover - PC Control Board..... | 1 |
| 9 | 01-1000V4-00019 | Boot - Toggle Switch Seal..... | 1 |
| 10 | 01-1M2283-00001 | Guard - Toggle Switch..... | 1 |
| 11 | 01-1000V6-0035J | Switch - Toggle..... | 1 |
| 12 | 01-1M2777-00001 | Strap - Ground..... | 1 |
| 13 | 01-1000V6-00048 | Button - Push (Green)..... | 3 |
| 14 | 01-1M3010-00001 | Handle - Door (Before S/N 241046490)..... | 1 |
| 15 | 01-100V18-00174 | Handle (Starting S/N 241046490)..... | 1 |
| 6 | 01-100V16-0676E | Label (Instructions) (Lower) (English/Spanish)..... | 1 |
| 7 | 01-100V16-0676F | Label (Instructions) (Lower) (English/French)..... | 1 |
| 17 | 01-1M7149-00001 | Kit - Control Door (W/O Autostart) (Upgrades to Advanced) (For 6 Tray Units)..... | 1 |
| 18 | 01-1M7150-00001 | Kit - Control Door (W/ Autostart) (Upgrades to Advanced) (For 6 Tray Units)..... | 1 |
| 19 | 01-1M3121-00001 | Thermocouple..... | 1 |
| 20 | 01-1M3076-00001 | Harness - Wire (Main)..... | 1 |
| 21 | 01-1M2972-00063 | Plug - Identity..... | 1 |

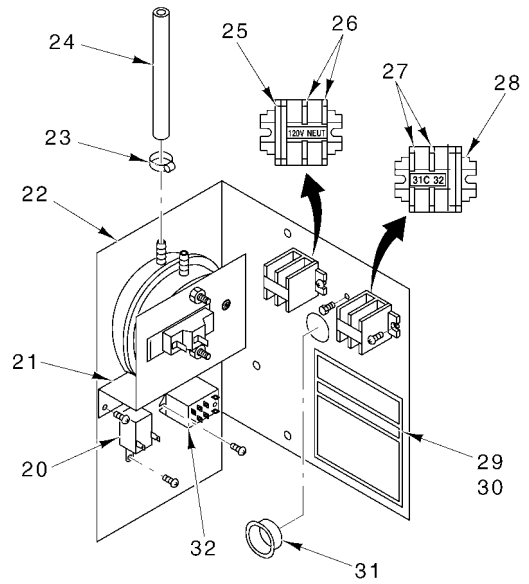
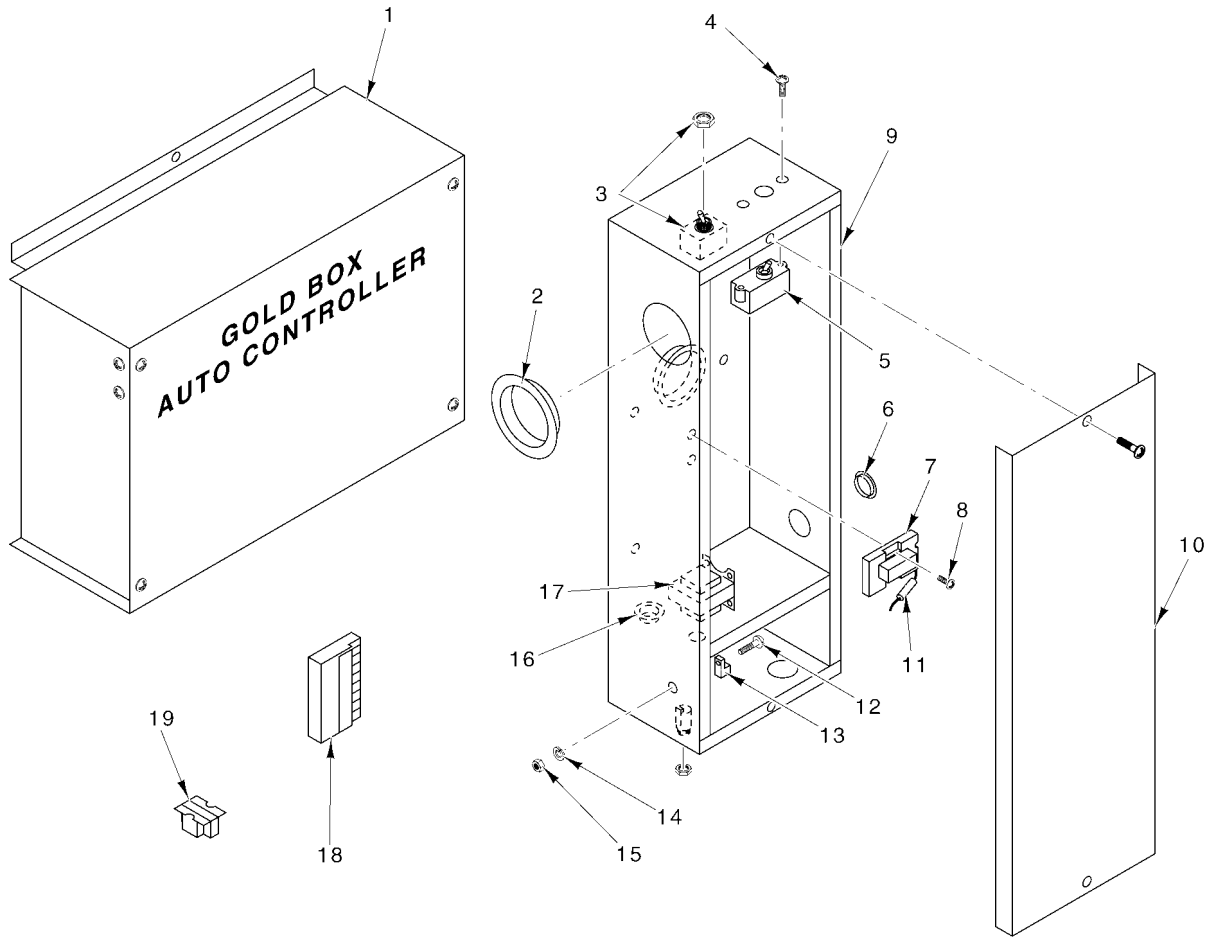


PL-60836

**ADVANCED DIGITAL CONTROL PANEL
(USED ON 6 TRAY OVENS ONLY)**

**ADVANCED DIGITAL CONTROL PANEL
(USED ON 6 TRAY OVENS ONLY)**

| ILLUS. PL-60836 | PART NO. | NAME OF PART | AMT. |
|--------------------|-----------------|---|------|
| 1 | 01-100V18-00174 | Handle..... | 1 |
| 2 | 01-1M2283-00001 | Guard - Toggle Switch..... | 1 |
| 3 | 01-100V16-0676E | Label (Instructions) (Lower) (English/Spanish)..... | 1 |
| 4 | 01-100V16-0676F | Label (Instructions) (Lower) (English/French)..... | 1 |
| 5 | 01-100V16-0947A | Label - Control Panel (Upper) (W/O Autostart)..... | 1 |
| 6 | 01-100V16-0947B | Label - Control Panel (Upper) (W/ Autostart)..... | 1 |
| 7 | 01-100V16-00988 | Board - Control (Incls. Item 8)..... | 1 |
| 8 | 01-100V11-00239 | Harness - Wire (Adapter)..... | 1 |
| 9 | 01-1000V4-00445 | Nut..... | 4 |
| 10 | 01-1M7130-00001 | Strap - Ground..... | 1 |
| 11 | 01-1M7113-00001 | Cover - Control Board..... | 1 |
| 12 | 01-1000V4-00444 | Nut..... | 9 |
| 13 | 01-1000V5-00346 | Spacer - PCB (1/4 O.D. x 1/4 Lg.) (Alum.)..... | 9 |
| 14 | 01-1000V4-00019 | Boot - Toggle Switch Seal..... | 1 |
| 15 | 01-1000V6-0035F | Switch - Toggle (10 Amp.)..... | 1 |
| 16 | 01-1000V4-00432 | Screw..... | 2 |
| 17 | 01-1000V4-00433 | Washer..... | 2 |
| 18 | 01-1M7112-00001 | Door - Control (Weldment)..... | 1 |
| 19 | 01-1M7149-00001 | Kit - Control Door (W/O Autostart) (Incls. Items 1 thru 5 & 7 thru 18)..... | 1 |
| 20 | 01-1M7150-00001 | Kit - Control Door (W/ Autostart) (Incls. Items 1 thru 4 & 6 thru 18)..... | 1 |

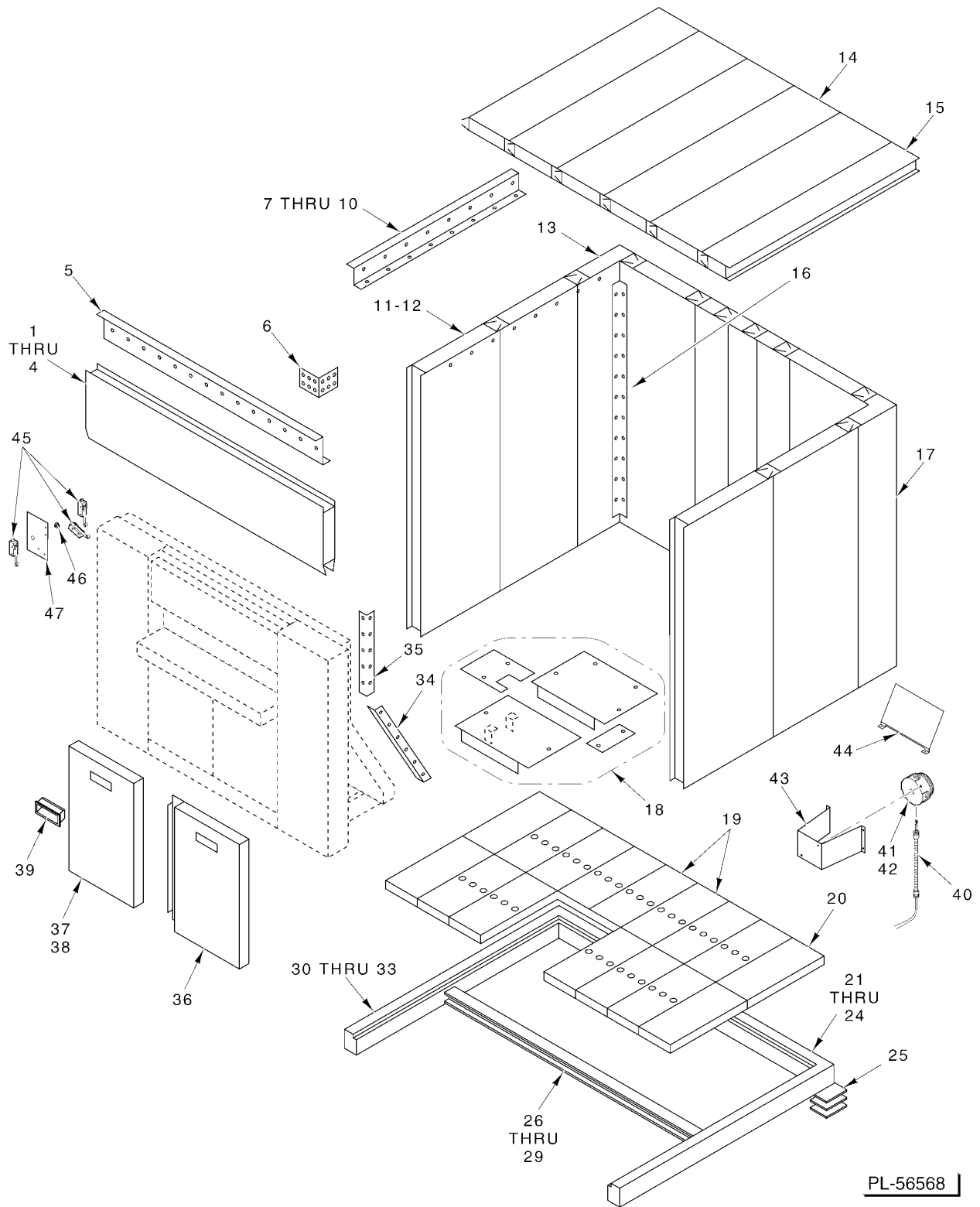


PL-56566

CONTROL MODULE AND SERVICE ENTRANCE

CONTROL MODULE AND SERVICE ENTRANCE

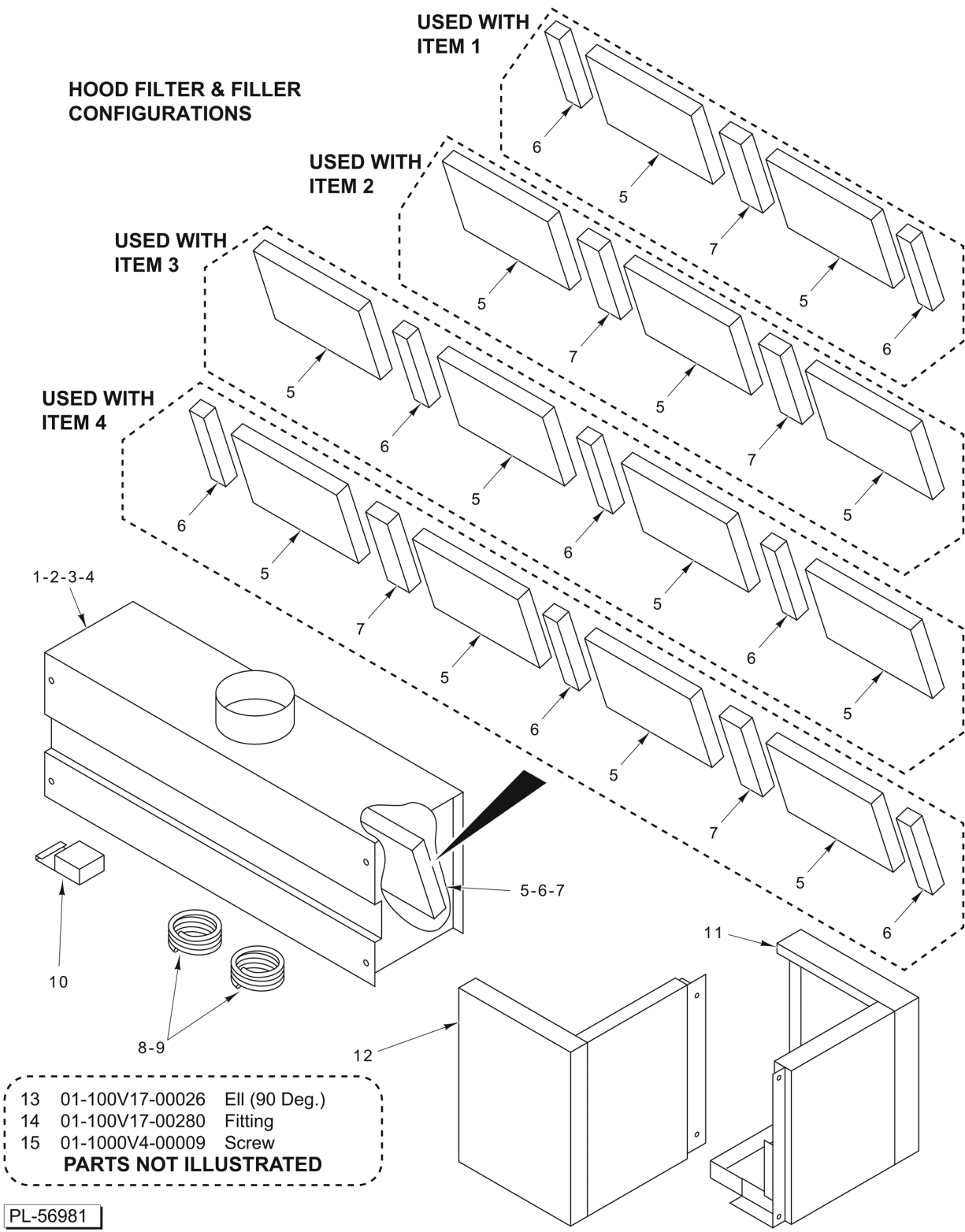
| ILLUS. PL-56566 | PART NO. | NAME OF PART | AMT. |
|--------------------|-----------------|---|------|
| 1 | 01-10M800-00001 | Control - Unit..... | 1 |
| 2 | 01-1000V5-00033 | Bushing - Snap (2 In.)..... | 2 |
| 3 | 01-1000V6-00045 | Switch - Toggle 3PDT..... | 1 |
| 4 | | Mach. Screw 6-32 x 1/4 Pan Hd..... | 2 |
| 5 | 01-1000V6-00052 | Breaker - Circuit (3 Amp.)..... | 1 |
| 6 | 01-100V15-00044 | Cap - Finish (1 In.)..... | 1 |
| 7 | 01-1000V6-00004 | Relay DPDT (W/Auxillary Spot Connector)..... | 2 |
| 8 | | Mach. Screw 10-32 x 1/4 Pan Hd..... | 4 |
| 9 | 01-10M789-00001 | Junction Box Assy. (Incls. Item 10)..... | 1 |
| 10 | 01-10M793-00001 | Cover - Service..... | 1 |
| 11 | 01-100V23-00R36 | Resistor (25 Ohms)..... | 1 |
| 12 | | Mach. Screw 1/4-20 x 1/2 Pan Hd..... | 1 |
| 13 | 01-1000V5-00037 | Lug - Terminal..... | 1 |
| 14 | | Lockwasher 1/4 Internal Star..... | 1 |
| 15 | | Nut 1/4-20 Hex..... | 1 |
| 16 | 01-1000V5-00059 | Bushing - Snap (Plastic)..... | 1 |
| 17 | 01-100V10-00061 | Transformer (120 V., 50/60 Hz.)..... | 1 |
| 18 | 01-1A1715-00001 | Kit - Ignition Control..... | 1 |
| 19 | 01-100V10-00061 | Transformer (120 V., 50/60 Hz.)..... | 1 |
| 20 | 01-100V10-00034 | Buzzer (Mini-120 VAC)..... | 1 |
| 21 | 01-1M2824-00003 | Switch - Pressure..... | 1 |
| 22 | 01-1M3017-00001 | Plate - Service Entrance..... | 1 |
| 23 | 01-1000V1-00018 | Clamp - Hose 1/4 I.D. x 7/16 O.D..... | 4 |
| 24 | 01-1A1023-00425 | Tube - Black (Neopene) (1/4 I.D. x 4.25 In.)..... | 2 |
| 25 | 01-1000V5-00106 | End - Section..... | 1 |
| 26 | 01-1000V5-00105 | Terminal - Section..... | 2 |
| 27 | 01-1000V5-00105 | Terminal - Section..... | 2 |
| 28 | 01-1000V5-00106 | End - Section..... | 1 |
| 29 | 01-100V16-00356 | Label - Service Entrance (120 V.)..... | 1 |
| 30 | 01-100V16-0356B | Label - Service Entrance (220 V.)..... | 1 |
| 31 | 01-1000V5-00059 | Bushing - Snap (Plastic)..... | 1 |
| 32 | 01-1000V6-00070 | Relay - D.P.D.T. (1/4 Hp., 120 VAC)..... | 1 |
| | 01-10M789-00001 | Box - Service Entrance..... | 1 |



CABINET ASSEMBLY

CABINET ASSEMBLY

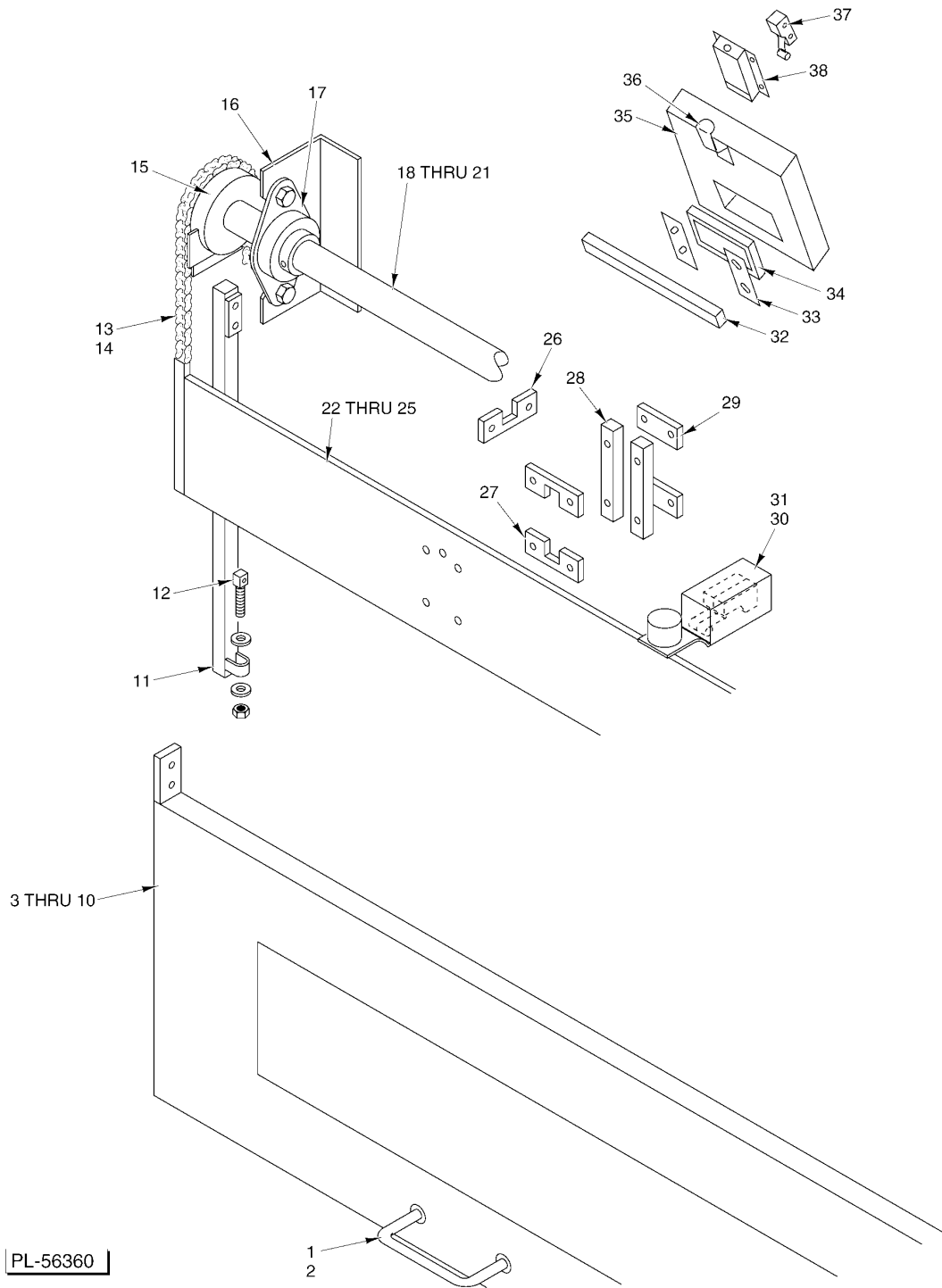
| ILLUS. PL-56568 | PART NO. | NAME OF PART | AMT. |
|--------------------|-----------------|--|------|
| 1 | 01-1M1211-00001 | Panel - Plain Upper Front (84-3/4 In.) (ML-132261)..... | 1 |
| 2 | 01-1M1211-00002 | Panel - Plain Upper Front (102-3/4 In.) (ML-132260)..... | 1 |
| 3 | 01-1M1211-00003 | Panel - Plain Upper Front (120-3/4 In.) (ML-132259)..... | 1 |
| 4 | 01-1M1211-00004 | Panel - Plain Upper Front (138-3/4 In.) (ML-132258)..... | 1 |
| 5 | 01-10M932-00001 | Bracket - Top Wall Corner..... | 4 |
| 6 | 01-10M831-00007 | Hanger - Ceiling (Front & Rear)..... | 2 |
| 7 | 01-10M831-00001 | Hanger - Ceiling (Sides) (ML-132261)..... | 2 |
| 8 | 01-10M831-00002 | Hanger - Ceiling (Sides) (ML-132260)..... | 2 |
| 9 | 01-10M831-00003 | Hanger - Ceiling (Sides) (ML-132259)..... | 2 |
| 10 | 01-10M831-00004 | Hanger - Ceiling (Sides) (ML-132258)..... | 2 |
| 11 | 01-10M820-0018C | Panel - Wall Cres. (18 x 83-1/2)..... | AR |
| 12 | 01-10M820-0042C | Panel - Wall Cres. (42 x 83-1/2)..... | AR |
| 13 | 01-10M822-00001 | Corner - Wall (LH Rear)..... | 1 |
| 14 | 01-10M820-00018 | Panel - Ceiling..... | AR |
| 15 | 01-10M820-00010 | Panel - Ceiling..... | 1 |
| 16 | 01-10M913-00009 | Angle - Interior Trim (Inside Rear Corner)..... | 2 |
| 17 | 01-10M822-00002 | NLA - Obsolete--Corner - Wall (RH Rear)..... | 1 |
| 18 | 01-1M1024-00001 | Floor - Filler Package..... | 1 |
| 19 | 01-10M867-00002 | Floor - Section W/Holes..... | AR |
| 20 | 01-10M867-00001 | Floor - Section Plain..... | 4 |
| 21 | 01-10M818-00001 | Base - Rear (79.5 In.)..... | 1 |
| 22 | 01-10M818-00002 | Base - Rear (97.5 In.)..... | 1 |
| 23 | 01-10M818-00003 | Base - Rear (115.5 In.)..... | 1 |
| 24 | 01-10M818-00004 | Base - Rear (133.5 In.)..... | 1 |
| 25 | 01-10M126-00001 | Base Shim - Leveling..... | AR |
| 26 | 01-10M832-00001 | Beam - Floor (79.5 In.)..... | 1 |
| 27 | 01-10M832-00002 | Beam - Floor (97.5 In.)..... | 1 |
| 28 | 01-10M832-00003 | Beam - Floor (115.5 In.)..... | 1 |
| 29 | 01-10M832-00004 | Beam - Floor (133.5 In.)..... | 1 |
| 30 | 01-10M817-00001 | Base - Side Assy. (92.5 In.)..... | 2 |
| 31 | 01-10M817-00002 | Base - Side Assy. (68.5 In.)..... | 1 |
| 32 | 01-10M817-00003 | Base - Side Assy. (49.5 In.)..... | 1 |
| 33 | 01-10M817-00004 | Base - Side Assy. (76.5 In.)..... | 1 |
| 34 | 01-10M913-00007 | Angle - Interior Trim (Inside Rear Corner)..... | 2 |
| 35 | 01-10M913-00008 | Angle - Interior Trim (Inside Rear Corner)..... | 2 |
| 36 | 01-1M2983-00001 | Panel - Lower Access..... | 1 |
| 37 | 01-1M2983-00002 | Panel - Lower Access..... | 1 |
| 38 | 01-1M2983-00003 | Panel - Lower Access (18 Pan = 0; 24 Pan = 1; 30 Pan = 2; 36 Pan = 3)..... | AR |
| 39 | 01-100V18-00110 | Handle (Per Door)..... | 1 |
| 40 | 01-1M3090-00001 | Light Fixture (W/O Lamp)..... | 1 |
| 41 | 01-1000V7-0014B | Base/Socket - Light Fixture..... | 1 |
| 42 | 01-1000V7-00020 | Halogen Lamp..... | 1 |
| 43 | 01-1M3060-00001 | Mount - Base..... | 1 |
| 44 | 01-1M2825-00001 | Reflector..... | 1 |
| 45 | 01-1000V6-00332 | Switch - SPDT 12A/125VAC..... | 3 |
| 46 | 01-1000V5-00166 | Bushing - Snap (for 0.75 Dia. Hole)..... | 1 |
| 47 | 01-1M3056-00002 | Bracket - Mounting..... | 1 |



HOOD

HOOD

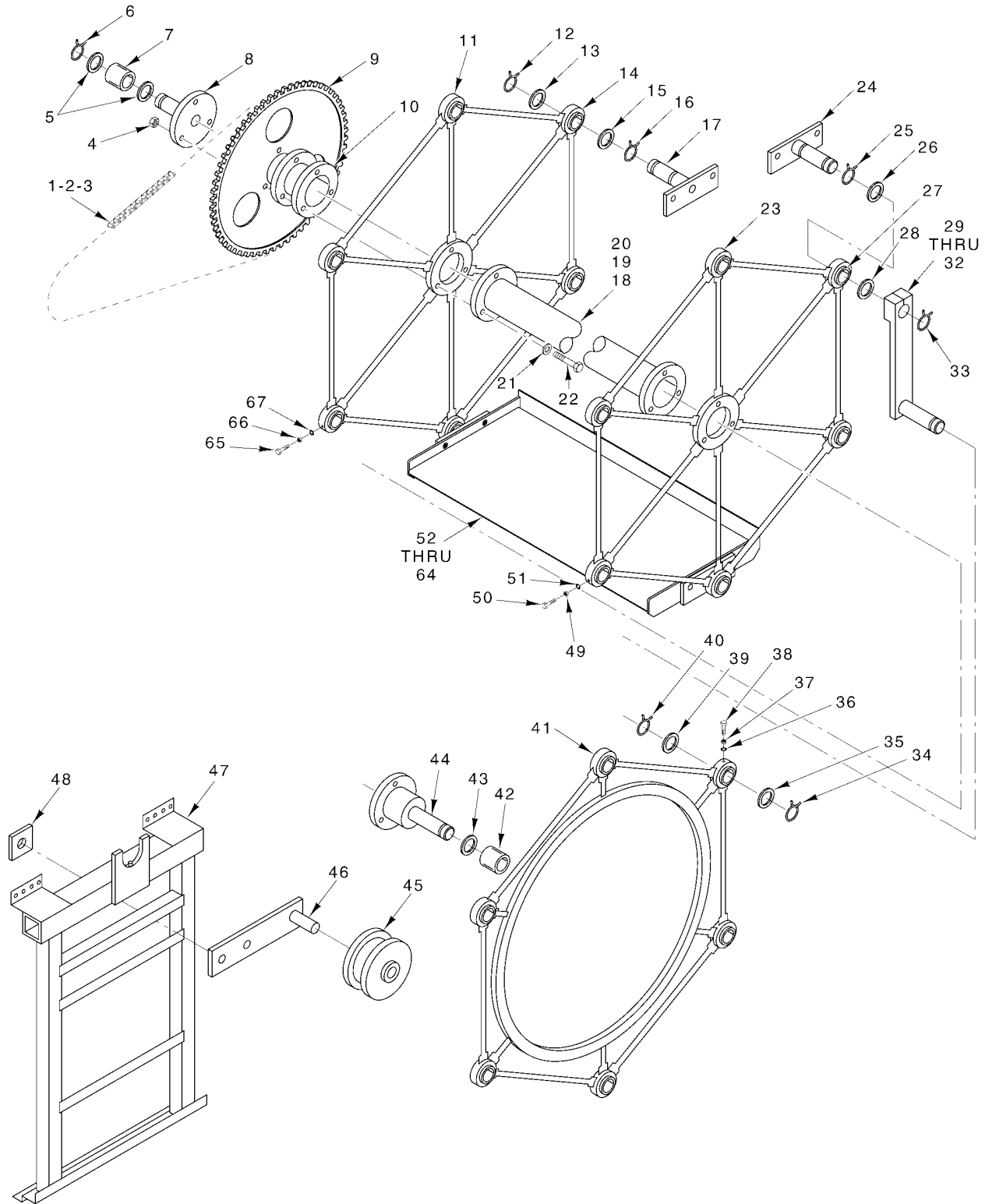
| ILLUS. | PART NO. | NAME OF PART | AMT. |
|----------|-----------------|---|------|
| PL-56981 | | | |
| 1 | 01-1M2967-00001 | Hood (M18)..... | 1 |
| 2 | 01-1M2967-00002 | Hood (M24)..... | 1 |
| 3 | 01-1M2967-00003 | Hood (M30)..... | 1 |
| 4 | 01-1M2967-00004 | Hood (M36)..... | 1 |
| 5 | 01-100V18-00052 | Filter - Hood (9.6 In. x 19.6 In.)..... | AR |
| 6 | 01-1M3067-00002 | Filler - Hood (5.32)..... | AR |
| 7 | 01-1M3067-00003 | Filler - Hood (8.85)..... | AR |
| 8 | 01-1M1004-00100 | Tube - Pilot (Gas & Pressure Switch) (M24, M30, & M36)..... | 2 |
| 9 | 01-1M1004-00072 | Tube - Pilot (Gas & Pressure Switch) (M18)..... | 2 |
| 10 | 01-1M3032-00001 | Cup - Grease..... | AR |
| 11 | 01-1M3037-00001 | Enclosure Jamb Top (RH)..... | 1 |
| 12 | 01-1M3037-00002 | Enclosure Jamb Top (LH)..... | 1 |
| 13 | 01-100V17-00026 | Tube - Ell 90 Deg. 1/4..... | AR |
| 14 | 01-100V17-00280 | Fitting - Compression (1/8 NPT)..... | 1 |
| 15 | 01-1000V4-00009 | Screw - Sheet Metal Hex Hd..... | AR |



LOADING AND SERVICE DOOR

LOADING AND SERVICE DOOR

| ILLUS. PL-56360 | PART NO. | NAME OF PART | AMT. |
|--------------------|-----------------|--|------|
| 1 | 01-1M2871-00001 | Handle - Door..... | 1 |
| 2 | 01-1M2872-00001 | Plate - Backer (Door Handle)..... | 1 |
| 3 | 01-1M2868-00001 | Door - Loading W/Window (ML-132261)..... | 1 |
| 4 | 01-1M2868-00002 | Door - Loading W/Window (ML-132260)..... | 1 |
| 5 | 01-1M2868-00003 | Door - Loading W/Window (ML-132259)..... | 1 |
| 6 | 01-1M2868-00004 | Door - Loading W/Window (ML-132258)..... | 1 |
| 7 | 01-1M2868-00005 | Door - Loading W/O Window (ML-132261)..... | 1 |
| 8 | 01-1M2868-00006 | Door - Loading W/O Window (ML-132260)..... | 1 |
| 9 | 01-1M2868-00007 | Door - Loading W/O Window (ML-132259)..... | 1 |
| 10 | 01-1M2868-00008 | Door - Loading W/O Window (ML-132258)..... | 1 |
| 11 | 01-10M440-00001 | Post - Door Guide..... | 2 |
| 12 | 01-100M27-00001 | Anchor - Chain..... | 2 |
| 13 | 01-1000V3-00051 | Chain - #40 (47 Pitches)..... | 2 |
| 14 | 01-1000V3-00008 | Link - Connector (#40)..... | 2 |
| 15 | 01-1000V3-00043 | Sprocket - #40B 1 In. Bore (21T)..... | 2 |
| 16 | 01-100M41-00001 | Bracket..... | 2 |
| 17 | 01-1000V0-00008 | Bearing - Ball..... | 2 |
| 18 | 01-10M758-00001 | Shaft - Counterweight (58-1/2 In.) (ML-132261)..... | 1 |
| 19 | 01-10M758-00002 | Shaft - Counterweight (76-1/2 In.) (ML-132260)..... | 1 |
| 20 | 01-10M758-00003 | Shaft - Counterweight (94-1/2 In.) (ML-132259)..... | 1 |
| 21 | 01-10M758-00004 | Shaft - Counterweight (112-1/2 In.) (ML-132258)..... | 1 |
| 22 | 01-10M764-00010 | Counterweight Assy. (57-1/4 In.) (ML-132261)..... | 1 |
| 23 | 01-10M764-00011 | Counterweight Assy. (75-1/4 In.) (ML-132260)..... | 1 |
| 24 | 01-10M764-00012 | Counterweight Assy. (93-1/4 In.) (ML-132259)..... | 1 |
| 25 | 01-10M764-00013 | Counterweight Assy. (111-1/4 In.) (ML-132258)..... | 1 |
| 26 | 01-1M1251-00001 | Bumper - Shaft Counterweight..... | 1 |
| 27 | 01-100M40-00001 | Guide - Door Weight..... | 2 |
| 28 | 01-100M40-00003 | Guide - Door Weight..... | 2 |
| 29 | 01-100M40-00002 | Guide - Door Weight..... | 2 |
| 30 | 01-1M1015-00001 | Box - Door Interlock Assy..... | 1 |
| 31 | 01-1000V6-00332 | Switch - SPDT 12A/125VAC..... | 2 |
| 32 | 01-10M929-00001 | Bar - Door Retention..... | 1 |
| 33 | 01-100M97-00002 | Retainer - Window..... | 2 |
| 34 | 01-1M1419-00001 | Window - View..... | 1 |
| 35 | 01-10M774-00001 | Door - Access (20 Degree Panel)..... | 1 |
| 36 | 01-1M1002-00001 | Actuator - Door Interlock..... | 1 |
| 37 | 01-1000V6-00065 | Microswitch..... | 2 |
| 38 | 01-1M1003-00001 | Bracket - Service Door Interlock..... | 1 |
| | 01-10M331-00001 | Stop - Counterweight..... | 1 |



PL-56348

MAIN DRIVE ASSEMBLY

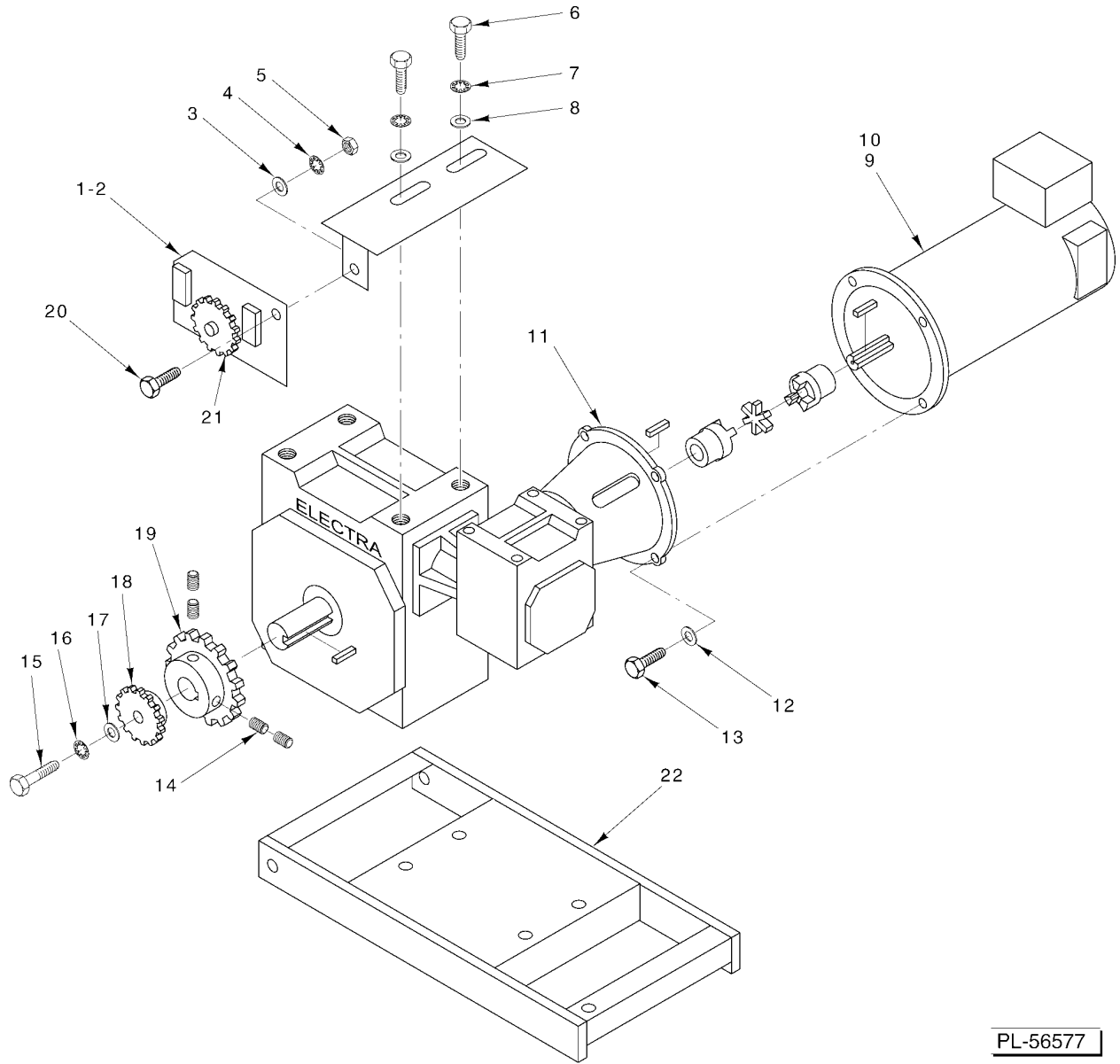
MAIN DRIVE ASSEMBLY

| ILLUS. PL-56348 | PART NO. | NAME OF PART | AMT. |
|--------------------|-----------------|--------------------------------------|------|
| 1 | 01-10M753-0001C | Chain - Main Drive..... | 1 |
| 2 | 01-1000V3-00096 | Link - Master..... | 1 |
| 3 | 01-1000V3-00095 | Link Roller..... | 1 |
| 4 | 01-1000V4-00007 | Lock Nut 1/2 (Vibresist)..... | 1 |
| 5 | 01-1000V0-00019 | Washer - Thrust..... | 2 |
| 6 | 01-1000V1-00011 | Snap Ring 1-15/16..... | 1 |
| 7 | 01-1M1112-00001 | Bearing - Main Assy..... | 1 |
| 8 | 01-10M540-00001 | Carrier - Journal End Assy..... | 1 |
| 9 | 01-100M61-00096 | Sprocket - #60 (96T)..... | 1 |
| 10 | 01-10M815-00005 | Shaft - Main Assy. (3-1/4 In.)..... | 1 |
| 11 | 01-10M823-00006 | Wheel - Carrier..... | 1 |
| 12 | 01-1000V1-00004 | Ring - Snap (1-1/2 In.)..... | AR |
| 13 | 01-1000V0-00018 | Thrust Washer..... | AR |
| 14 | 01-1M3683-00002 | Bearing Assy..... | AR |
| 15 | 01-1000V0-00018 | Thrust Washer..... | AR |
| 16 | 01-1000V1-00004 | Ring - Snap (1-1/2 In.)..... | AR |
| 17 | 01-10M562-00001 | Support - Tray..... | AR |
| 18 | 01-10M815-00001 | Shaft (62-1/2 In.)..... | 1 |
| 19 | 01-10M557-00002 | Shaft (80-1/2 In.)..... | 1 |
| 20 | 01-10M815-00003 | Shaft (98-1/2 In.)..... | 1 |
| 21 | 01-1000V4-00008 | Washer 1/2..... | 1 |
| 22 | 01-1000V4-00028 | Bolt - Shear 1/2 x 2-1/4 Hex Hd..... | 1 |
| 23 | 01-10M823-00006 | Wheel - Carrier..... | 1 |
| 24 | 01-10M562-00002 | Support - Tray..... | AR |
| 25 | 01-1000V1-00004 | Ring - Snap (1-1/2 In.)..... | AR |
| 26 | 01-1000V0-00018 | Thrust Washer..... | AR |
| 27 | 01-1M3683-00002 | Bearing Assy..... | AR |
| 28 | 01-1000V0-00018 | Thrust Washer..... | AR |
| 29 | 01-10M563-00001 | Leveler - Arm Assy..... | AR |
| 30 | 01-1000V4-00265 | Bolt 1/2-13 x 2 Hex Hd..... | AR |
| 31 | 01-1000V4-00264 | Lockwasher 1/2 Internal Tooth..... | AR |
| 32 | 01-1000V4-00266 | Nut 1/2-13 Hex..... | AR |
| 33 | 01-1000V1-00004 | Ring - Snap (1-1/2 In.)..... | AR |
| 34 | 01-1000V1-00004 | | AR |
| 35 | 01-1000V0-00018 | Thrust Washer..... | AR |
| 36 | 01-1000V4-00264 | Lockwasher 1/2 Internal Tooth..... | AR |
| 37 | 01-1000V4-00266 | Nut 1/2-13 Hex..... | AR |
| 38 | 01-1000V4-00267 | Bolt 1/2-13 x 1 Hex Hd..... | AR |
| 39 | 01-1000V0-00018 | Thrust Washer..... | AR |
| 40 | 01-1000V1-00004 | Ring - Snap (1-1/2 In.)..... | AR |
| 41 | 01-10M824-00006 | Wheel Leveler..... | 1 |
| 42 | 01-1M1112-00001 | Bearing - Main Assy..... | 1 |
| 43 | 01-1000V0-00019 | Washer - Thrust..... | 1 |
| 44 | 01-10M539-00001 | Leveler - Journal End Assy..... | 1 |
| 45 | 01-10M556-00001 | Wheel - Guide Assy..... | 2 |
| 46 | 01-10M554-00004 | Guide - Wheel Mount Assy..... | 2 |
| 47 | 01-10M816-00001 | Stand - Main..... | 2 |
| 48 | 01-10M278-00001 | Pad - Oven Guide Roll Arm..... | 4 |
| 49 | 01-1000V4-00266 | Nut 1/2-13 Hex..... | AR |
| 50 | 01-1000V4-00267 | Bolt 1/2-13 x 1 Hex Hd..... | AR |
| 51 | 01-1000V4-00264 | Lockwasher 1/2 Internal Tooth..... | AR |
| 52 | 01-1M2753-00058 | Tray - Perforated (58 x 26)..... | AR |
| 53 | 01-1M2753-00076 | Tray - Perforated (76 x 26)..... | AR |
| 54 | 01-1M2753-00094 | Tray - Perforated (94 x 26)..... | AR |
| 55 | 01-1M2753-00112 | Tray - Perforated (112 x 26)..... | AR |

MAIN DRIVE ASSEMBLY

| ILLUS. | PART NO. | NAME OF PART | AMT. |
|----------|-----------------|--|------|
| PL-56348 | | | |
| 56 | 01-1M2754-00058 | Tray - Solid (58 x 26)..... | AR |
| 57 | 01-1M2754-00076 | Tray - Solid (76 x 26)..... | AR |
| 58 | 01-1M2754-00094 | Tray - Solid (94 x 26)..... | AR |
| 59 | 01-1M2754-00112 | Tray - Solid (112 x 26)..... | AR |
| 60 | 01-100V21-094-1 | Liner - Tray Cement Fiber (1/2 x 25-3/4 x 18)..... | AR |
| 61 | 01-100V21-094-2 | Liner - Tray Cement Fiber (1/2 x 25-3/4 x 28-5/8)..... | AR |
| 62 | 01-100V21-094-3 | Liner - Tray Cement Fiber (1/2 x 25-3/4 x 36)..... | AR |
| 63 | 01-1M2747-00001 | Retainer - Tray Liner..... | AR |
| 64 | 01-1M2764-00001 | Angle - Tray Ends..... | AR |
| 65 | 01-1000V4-00267 | Bolt 1/2-13 x 1 Hex Hd..... | AR |
| 66 | 01-1000V4-00266 | Nut 1/2-13 Hex..... | AR |
| 67 | 01-1000V4-00264 | Lockwasher 1/2 Internal Tooth..... | AR |
| | 01-10M813-00006 | Carrier Wheel Assy. (Incls. Items 11 thru 20, 65, 66, & 67)..... | 1 |
| | 01-10M814-00006 | Leveler Wheel Assy. (Incls. Items 23 thru 49, 50, & 51)..... | 1 |

NOTES

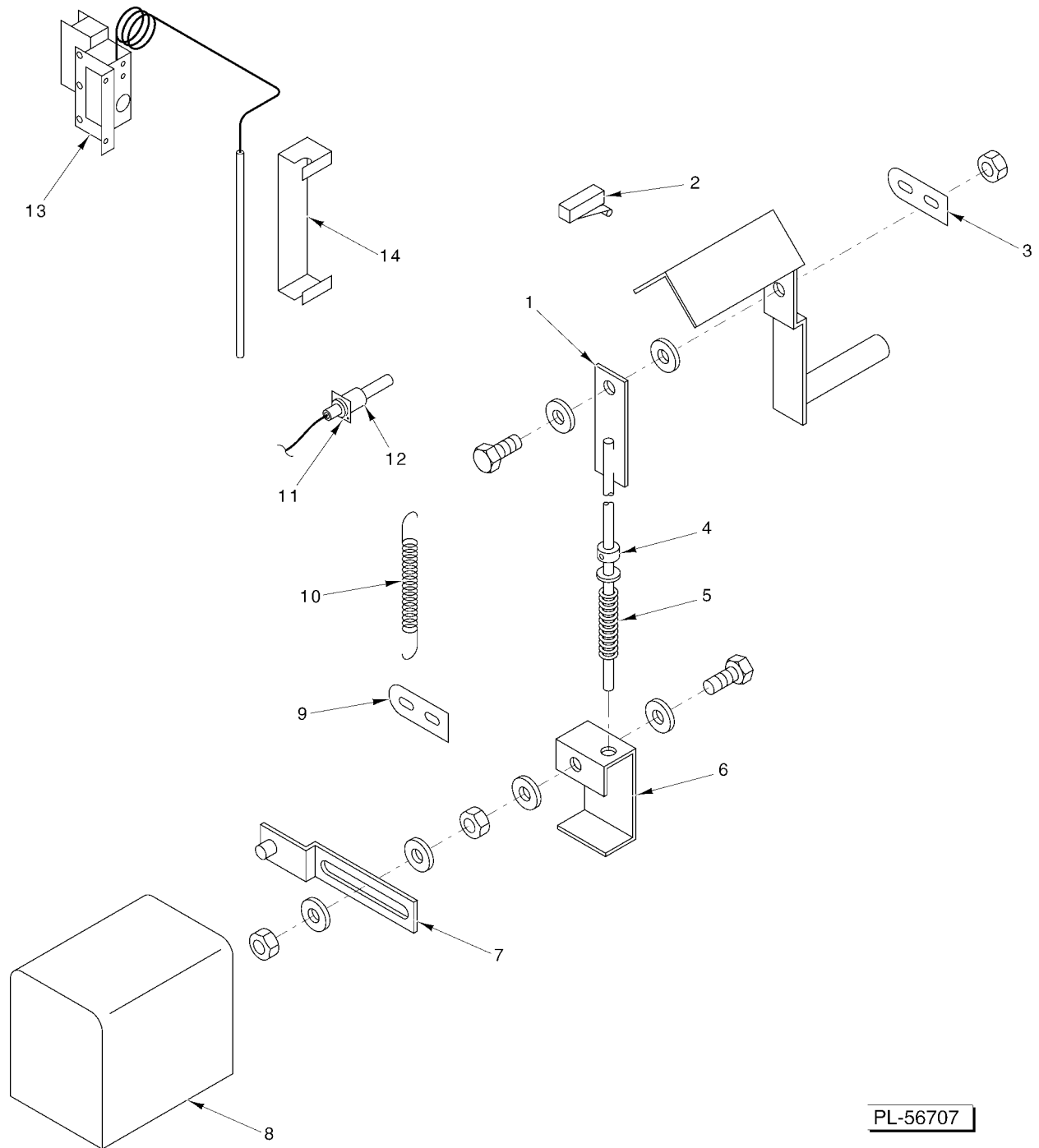


PL-56577

MAIN DRIVE MOTOR ASSEMBLY

MAIN DRIVE MOTOR ASSEMBLY

| ILLUS. PL-56577 | PART NO. | NAME OF PART | AMT. |
|--------------------|-----------------|---------------------------------------|------|
| 1 | 01-1M3005-00001 | Pointer Assy. (Incls. Item 2)..... | 1 |
| 2 | 01-1000V6-00192 | Switch - Micro..... | 2 |
| 3 | | Washer 3/8..... | 1 |
| 4 | | Lockwasher 3/8..... | 1 |
| 5 | | Nut 3/8-16 Hex..... | 1 |
| 6 | | Mach. Screw 3/8-16 x 3/4 Hex Hd..... | 2 |
| 7 | | Lockwasher 3/8..... | 2 |
| 8 | | Washer 3/8..... | 2 |
| 9 | 01-10M512-00001 | Motor Assy..... | 1 |
| 10 | 01-1000V8-00064 | Brush - Motor..... | 3 |
| 11 | 01-1000V2-00025 | Gearbox (300:1)..... | 1 |
| 12 | | Lockwasher 3/8..... | 4 |
| 13 | | Mach. Screw 3/8-16 x 1 Hex Hd..... | 4 |
| 14 | | Set Screw 5/16-18 x 1/2..... | 4 |
| 15 | | Mach. Screw 3/8-16 x 1 Hex Hd..... | 1 |
| 16 | | Lockwasher 3/8..... | 1 |
| 17 | | Washer 3/8..... | 1 |
| 18 | 01-1000V2-00022 | Gear - Spur (48T)..... | 1 |
| 19 | 01-1000V3-00044 | Sprocket - Gear Chain #60B (16T)..... | 1 |
| 20 | | Mach. Screw 3/8-16 x 3/4 Hex Hd..... | 1 |
| 21 | 01-1M3002-00001 | Gear (Tray Number & Stop)..... | 1 |
| 22 | 01-10M578-00003 | Mount - Motor..... | 1 |
| | 01-1M1254-00001 | Kit - Hand Crank..... | 1 |
| | 01-1M1753-00001 | Oil - Gear (Synthetic)..... | 1 |

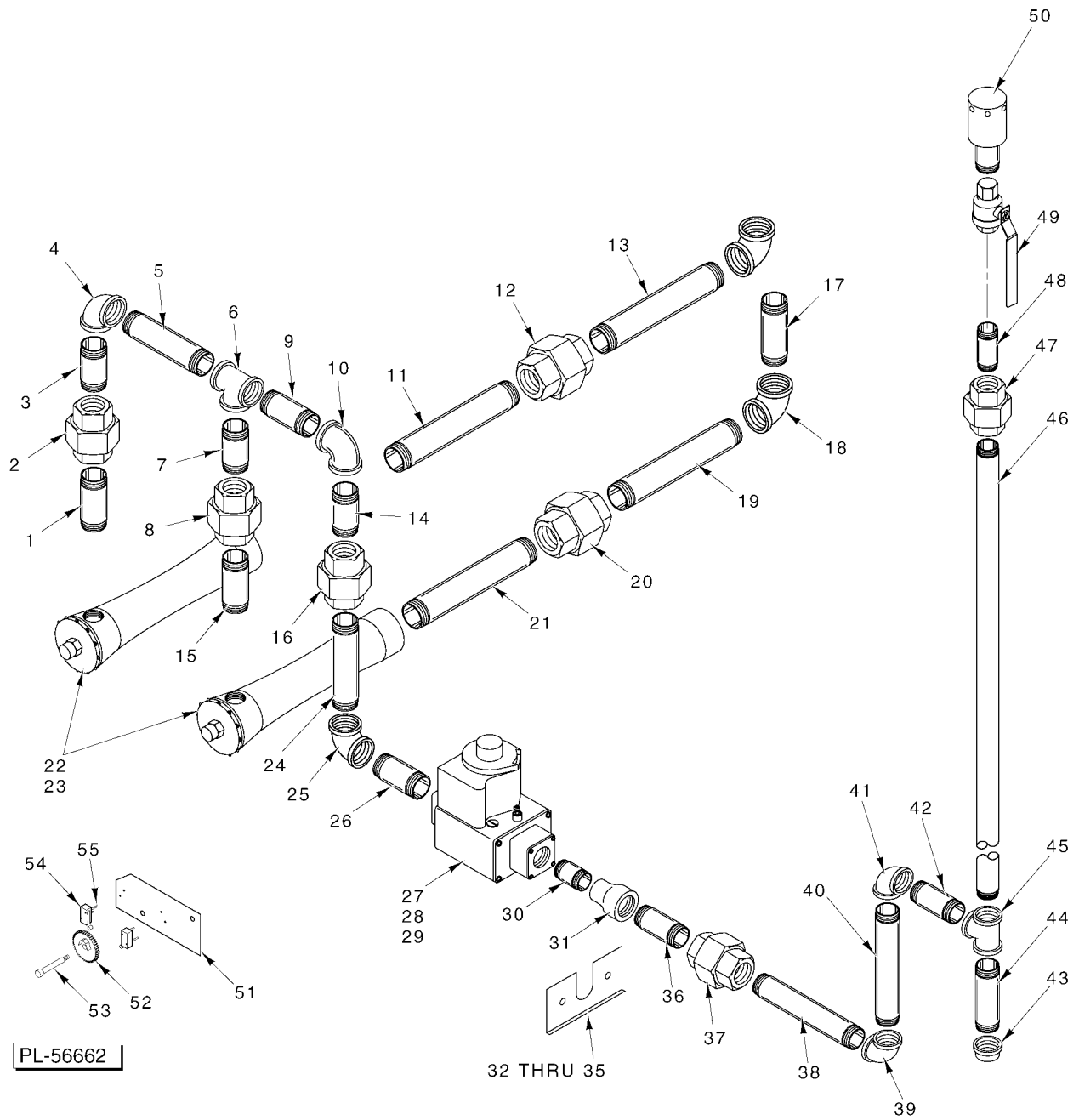


PL-56707

PURGE KIT

PURGE KIT

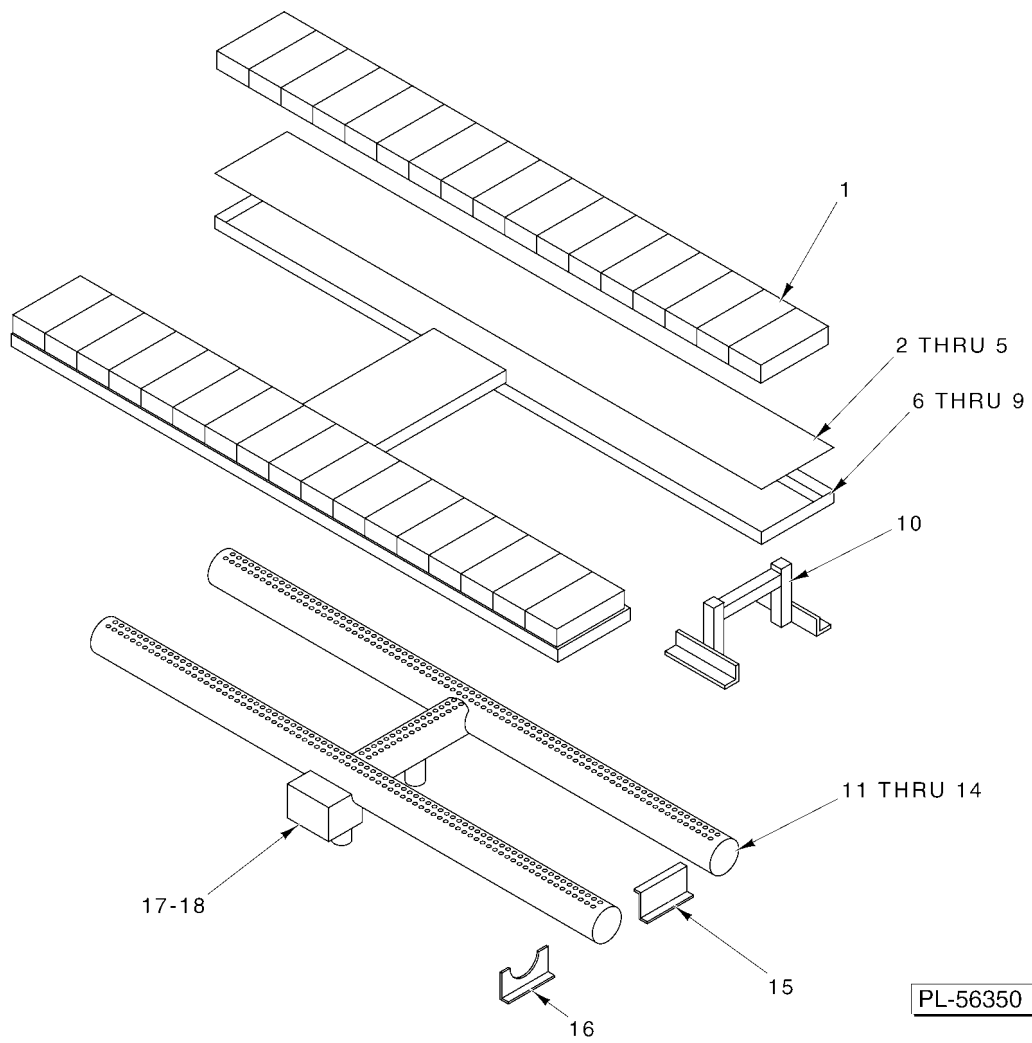
| ILLUS. | PART NO. | NAME OF PART | AMT. |
|----------|-----------------|-------------------------------------|------|
| PL-56707 | | | |
| 1 | 01-1M3049-00001 | Actuator Weldment - Face Panel..... | 1 |
| 2 | 01-1000V6-00332 | Micro-Switch - Lever Activated..... | 3 |
| 3 | 01-1M3981-00001 | Clip - Spring..... | 1 |
| 4 | 01-1000V1-00017 | Collar - Set..... | 1 |
| 5 | 01-100V20-00015 | Spring..... | 1 |
| 6 | 01-1M3063-00001 | Clip - Purge Arm..... | 1 |
| 7 | 01-1M3064-00001 | Arm - Crank..... | 1 |
| 8 | 01-1000V8-00033 | Motor - Damper..... | 1 |
| 9 | 01-1M3981-00001 | Clip - Spring..... | 1 |
| 10 | 01-100V20-00016 | Spring - Extension..... | 1 |
| 11 | 01-1A1907-00001 | Mounting Assy. - Thermocouple..... | 1 |
| 12 | 01-100V10-00141 | Thermocouple..... | 1 |
| 13 | 01-1000V6-00118 | Thermostat - High Limit..... | 1 |
| 14 | 01-1M1706-00001 | Bracket - High Limit..... | 1 |
| | 01-1M3993-00001 | Retainer - Purge, Face Panel..... | 8 |
| | 01-1M3019-00004 | Seal - Purge, Face Panel..... | 1 |
| | 01-1000V5-00166 | Bushing - Snap..... | 1 |



GAS SUPPLY ASSEMBLY

GAS SUPPLY ASSEMBLY

| ILLUS. | PART NO. | NAME OF PART | AMT. |
|----------|-----------------|--|------|
| PL-56662 | | | |
| 1 | 01-100V17-00115 | Pipe 1 x 2..... | 1 |
| 2 | 01-100V17-00117 | Union 1 In..... | 1 |
| 3 | 01-100V17-00115 | Pipe 1 x 2..... | 1 |
| 4 | 01-100V17-00119 | Elbow - Reducing 1 x 1-1/4..... | 1 |
| 5 | 01-100V17-00121 | Pipe 1-1/4 x 6..... | 1 |
| 6 | 01-100V17-00122 | Tee - Reducing 1-1/4 x 1-1/4..... | 1 |
| 7 | 01-100V17-00115 | Pipe 1 x 2..... | 1 |
| 8 | 01-100V17-00117 | Union 1 In..... | 1 |
| 9 | 01-100V17-00120 | Pipe 1-1/4 x 3..... | 1 |
| 10 | 01-100V17-00119 | Elbow - Reducing 1 x 1-1/4..... | 1 |
| 11 | 01-100V17-00123 | Pipe 2-1/2 x 8..... | 1 |
| 12 | 01-100V17-00063 | Union 2-1/2..... | 1 |
| 13 | 01-100V17-00123 | Pipe 2-1/2 x 8..... | 1 |
| 14 | 01-100V17-00115 | Pipe 1 x 2..... | 1 |
| 15 | 01-100V17-00115 | Pipe 1 x 2..... | 1 |
| 16 | 01-100V17-00117 | Union 1 In..... | 1 |
| 17 | 01-100V17-00324 | Pipe 2-1/2 x 3..... | 1 |
| 18 | 01-100V17-00103 | Ell 2-1/2 x 45 Deg..... | 1 |
| 19 | 01-100V17-00123 | Pipe 2-1/2 x 8..... | 1 |
| 20 | 01-100V17-00063 | Union 2-1/2..... | 1 |
| 21 | 01-100V17-00123 | Pipe 2-1/2 x 8..... | 1 |
| 22 | 01-1000V9-00050 | Mixer - Gas 2-1/2 In. Dia. (NAT)..... | 1 |
| 23 | 01-1000V9-00080 | Mixer - Compound (LP)..... | 1 |
| 24 | 01-1A1167-00450 | Pipe NPT 4-1/2 In..... | 1 |
| 25 | 01-100V17-00118 | Ell - Reducing 90 Deg. 1 x 3/4..... | 1 |
| 26 | 01-100V17-00113 | Pipe 3/4 x 3..... | 1 |
| 27 | 01-1000V9-00075 | Valve - Gas 3/4 x 3/4 (1979 to 1987)..... | 1 |
| 28 | 01-1000V9-00121 | Valve - Gas 1/2 x 3/4 (1987 to Present)..... | 1 |
| 29 | 01-1000V9-00128 | Kit - LP Conversion..... | 1 |
| 30 | | Pipe - Close 1/2 Dia..... | 1 |
| 31 | | Reducer - Bell 3/4 x 1/2..... | 1 |
| 32 | 01-1M1014-00001 | Support - Gas Assy..... | 1 |
| 33 | | Bolt 1/4-20 Hex Hd..... | 2 |
| 34 | | Washer 1/4..... | 2 |
| 35 | | Nut 1/4-20 Hex..... | 2 |
| 36 | 01-1M1093-00003 | Pipe - Mixer Gas Supply Assy..... | 2 |
| 37 | 01-100V17-00114 | Union 3/4..... | 1 |
| 38 | | Pipe..... | 1 |
| 39 | 01-100V17-00118 | Ell - Reducing 90 Deg. 1 x 3/4..... | 1 |
| 40 | 01-1A1167-01300 | Pipe NPT 13 In..... | 1 |
| 41 | | Elbow..... | 1 |
| 42 | 01-1A1167-00300 | Pipe NPT 3 In..... | 1 |
| 43 | | Cap - Pipe 1 In..... | 1 |
| 44 | 01-1A1167-00500 | Pipe NPT 5 In..... | 1 |
| 45 | | Tee - Pipe..... | 1 |
| 46 | 01-1A1167-02900 | Pipe NPT 29 In..... | 1 |
| 47 | 01-100V17-00117 | Union 1 In..... | 1 |
| 48 | 01-1A1167-00300 | Pipe NPT 3 In..... | 1 |
| 49 | 01-100V17-00399 | Valve - Butterfly 1 In. (Brass)..... | 1 |
| 50 | 01-1M3052-00001 | Inlet - Gas Supply..... | 1 |
| 51 | 01-1M2985-00001 | Plate - Pointer (Use With Item 23)..... | 1 |
| 52 | 01-1M3002-00001 | Pointer Assy. - Gear (Use With Item 23)..... | 1 |
| 53 | 01-1000V4-00109 | Screw - Shoulder 3/8 x 1/2 Socket Hd..... | 1 |
| 54 | 01-1000V6-00192 | Switch - Snap (Use With Item 23)..... | 2 |
| 55 | 01-1M3089-00001 | Spacer - Switch, Pointer (Use With Item 23)..... | 4 |
| | 01-1M3005-00001 | Pointer Assy. (Incls. Items 51 thru 55)..... | 1 |



BURNER ASSEMBLY

BURNER ASSEMBLY

| ILLUS. PL-56350 | PART NO. | NAME OF PART | AMT. |
|--------------------|-----------------|--|------|
| 1 | 01-100V21-00003 | Firebrick 4-1/2 x 9 x 2-1/2..... | AR |
| 2 | 01-10M862-00001 | Liner - Brick (ML-132261)..... | 2 |
| 3 | 01-10M862-00002 | Liner - Brick (ML-132260)..... | 2 |
| 4 | 01-10M862-00003 | Liner - Brick (ML-132259)..... | 2 |
| 5 | 01-10M862-00004 | Liner - Brick (ML-132258)..... | 2 |
| 6 | 01-10M860-00001 | Rack - Brick (59 In.) (ML-132261)..... | 2 |
| 7 | 01-10M860-00002 | Rack - Brick (77 In.) (ML-132260)..... | 2 |
| 8 | 01-10M860-00003 | Rack - Brick (95 In.) (ML-132259)..... | 2 |
| 9 | 01-10M860-00004 | Rack - Brick (113 In.) (ML-132258)..... | 2 |
| 10 | 01-10M581-00001 | Stand - Brick Rack..... | 1 |
| 11 | 01-10M990-00001 | Burner - 2 Inlets (58 In.) (ML-132261)..... | 1 |
| 12 | 01-10M990-00002 | Burner - 2 Inlets (76 In.) (ML-132260)..... | 1 |
| 13 | 01-10M990-00003 | Burner - 2 Inlets (94 In.) (ML-132259)..... | 1 |
| 14 | 01-10M990-00004 | Burner - 2 Inlets (112 In.) (ML-132258)..... | 1 |
| 15 | 01-10M678-00002 | Support - Rear Burner..... | 2 |
| 16 | 01-10M678-00001 | Support - Forward Burner..... | 2 |
| 17 | 01-1M1131-00002 | Kit - Pilot Replacement (LP)..... | 1 |
| 18 | 01-1M1131-00001 | Kit - Pilot Replacement (NAT)..... | 1 |

