



CATALOG OF REPLACEMENT PARTS



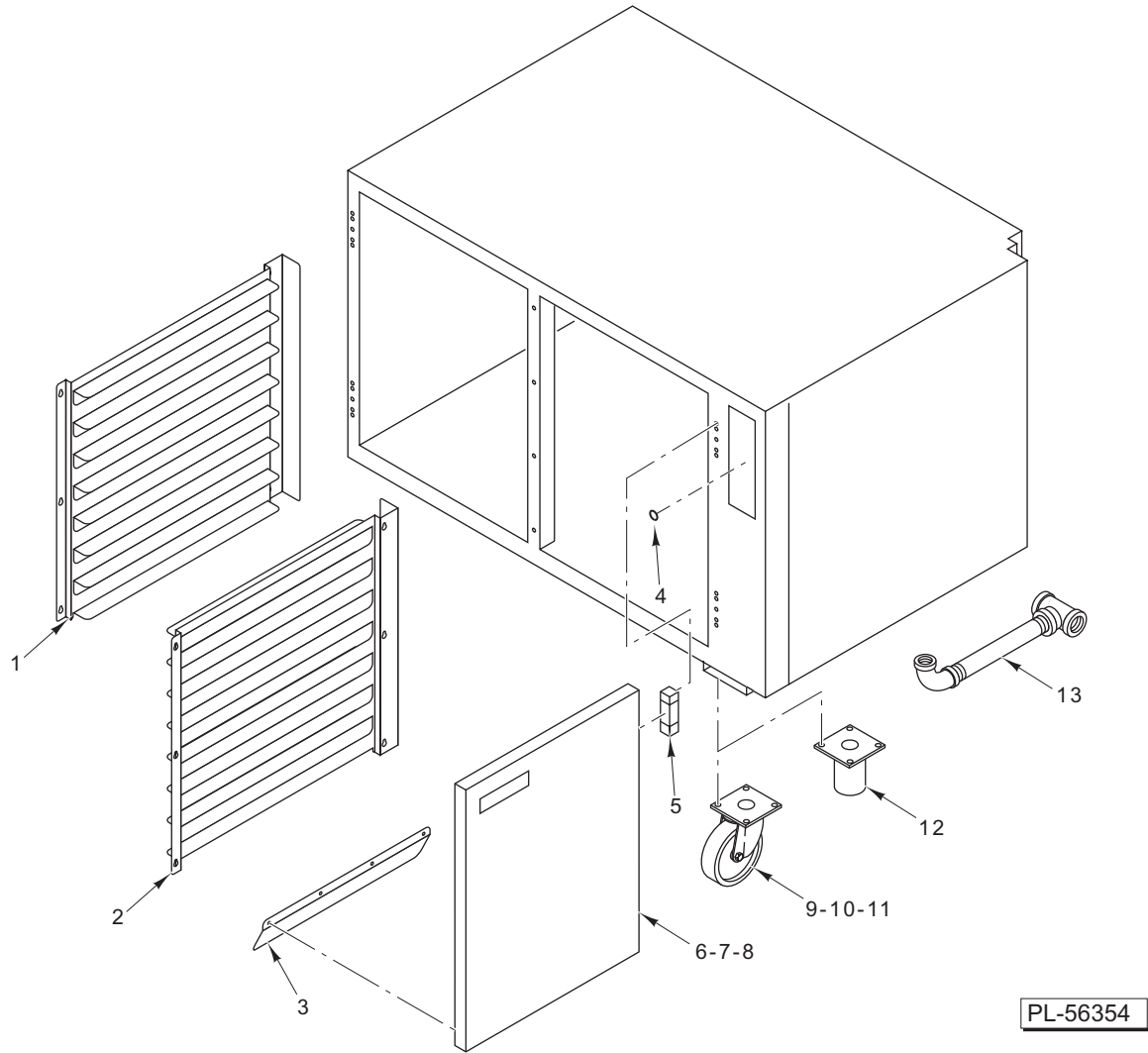
PROOFER BOX

HPC800

ML-132185

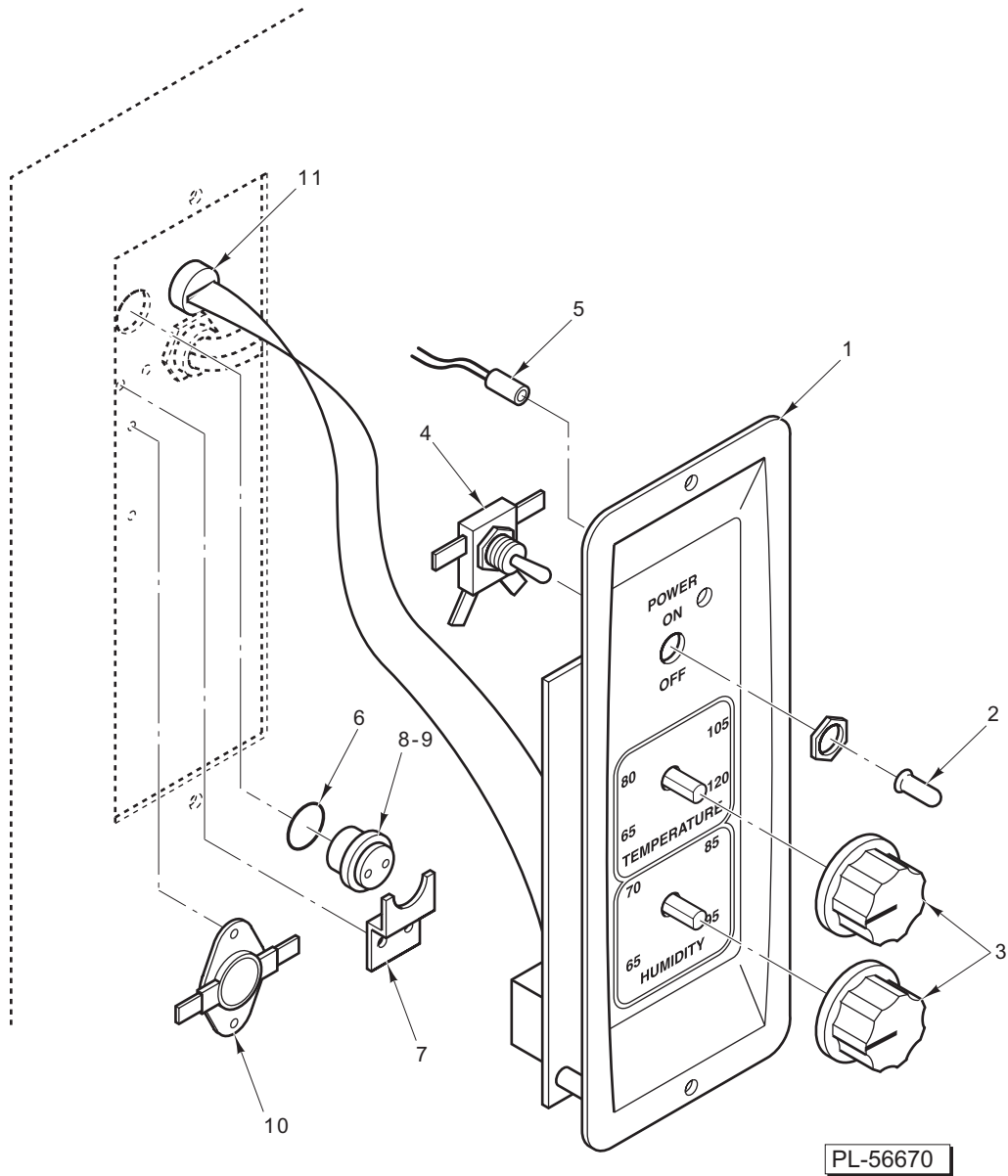
TABLE OF CONTENTS

3	CABINET UNIT
4	CONTROL PANEL ASSEMBLY (PREVIOUS CONSTRUCTION)
5	CONTROL PANEL ASSEMBLY (CURRENT CONSTRUCTION)
7	HUMIDIFIER UNIT
8	WATER SUPPLY



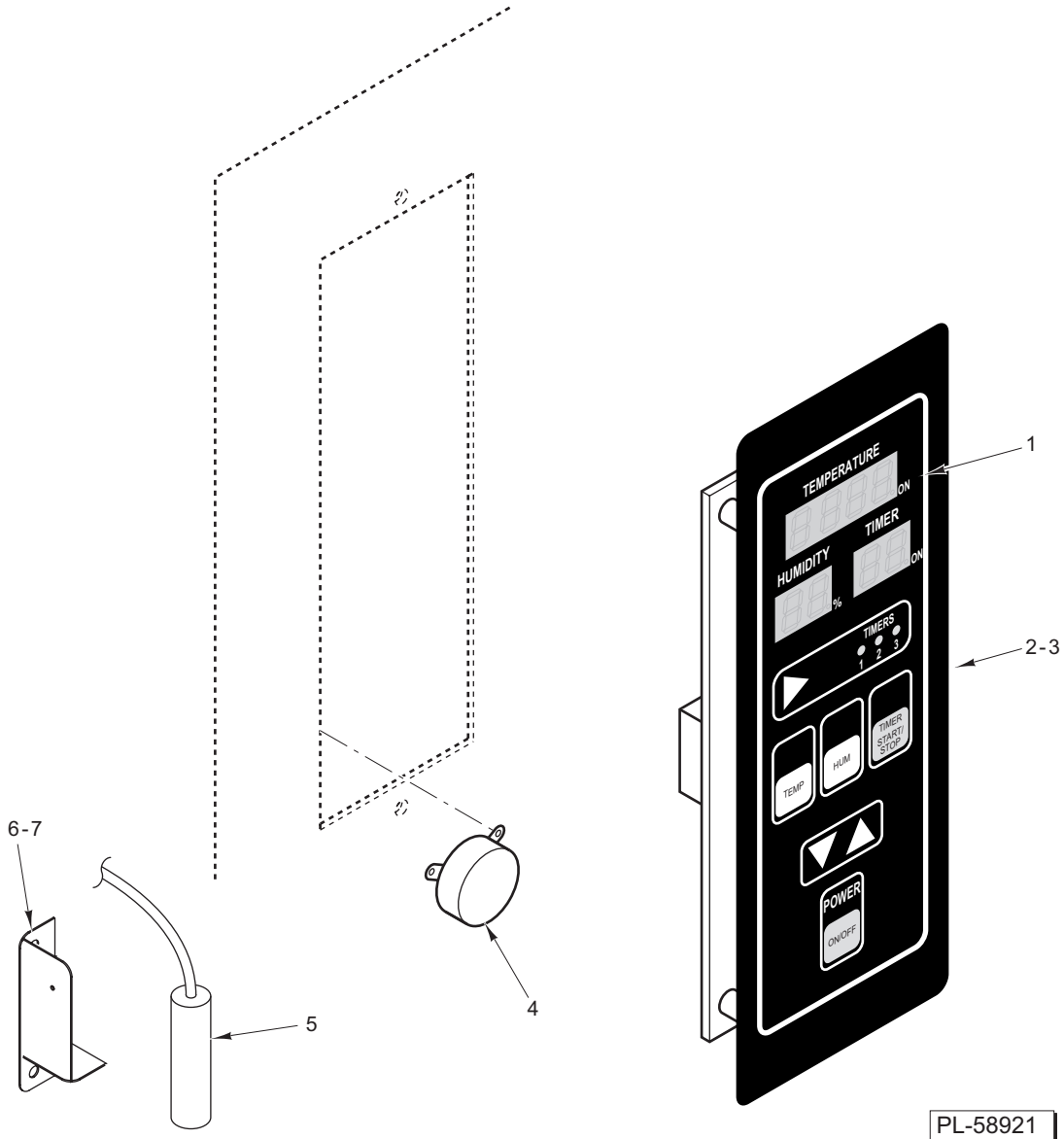
CABINET UNIT

ILLUS.	PART NO.	NAME OF PART	AMT.
1	01-1P1571-00001	Rack – Side (LH)	2
2	01-1P1571-00002	Rack – Side (RH)	2
3	01-1P1652-00001	Deflector – Moisture	2
4	01-100V15-00038	Grommet	AR
5	01-1A2836-00001	Kit - Hinge Retrofit (Incls. 4 Hinges)	1
6	01-1P1814-00001	Door Assy. (LH)	1
7	01-1P1814-00002	Door Assy. (RH)	1
8	01-100V16-0271D	Gasket – Door (Four Sided)	AR
9	01-100V14-00046	Caster – Plate Swivel (With Brake)	2
10	01-100V14-00047	Caster – Plate Rigid	2
11	01-1A2309-00001	Kit – Shim Caster	1
12	01-100V18-00038	Leg (6 In. With Plate) (Optional)	AR
13	01-1P1572-00001	Drain Pipe Assy.	1
	01-1M3475-00001	Retainer	2
	01-1000V5-00035	Bushing – Snap (1 In. Hole)	3
	01-1000V5-00059	Bushing – Snap (7/8 In. Hole)	1
	01-1000V4-00009	Screw – Sheet Metal Hex Hd.	3
	01-100V15-00075	Clamp – Cable	3



CONTROL PANEL ASSEMBLY (PREVIOUS CONSTRUCTION)

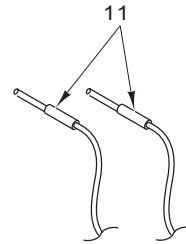
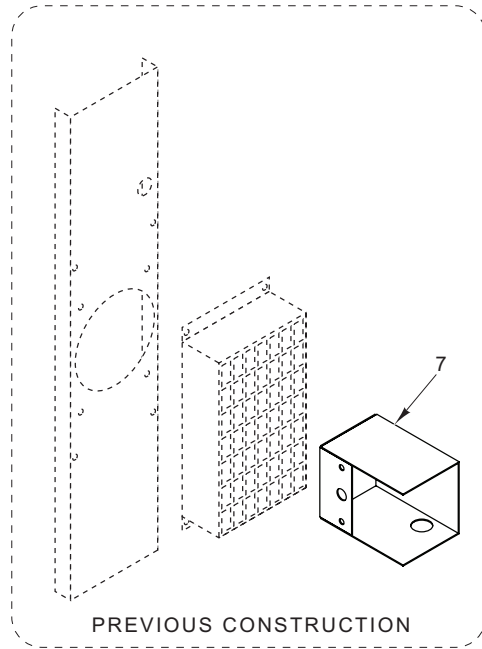
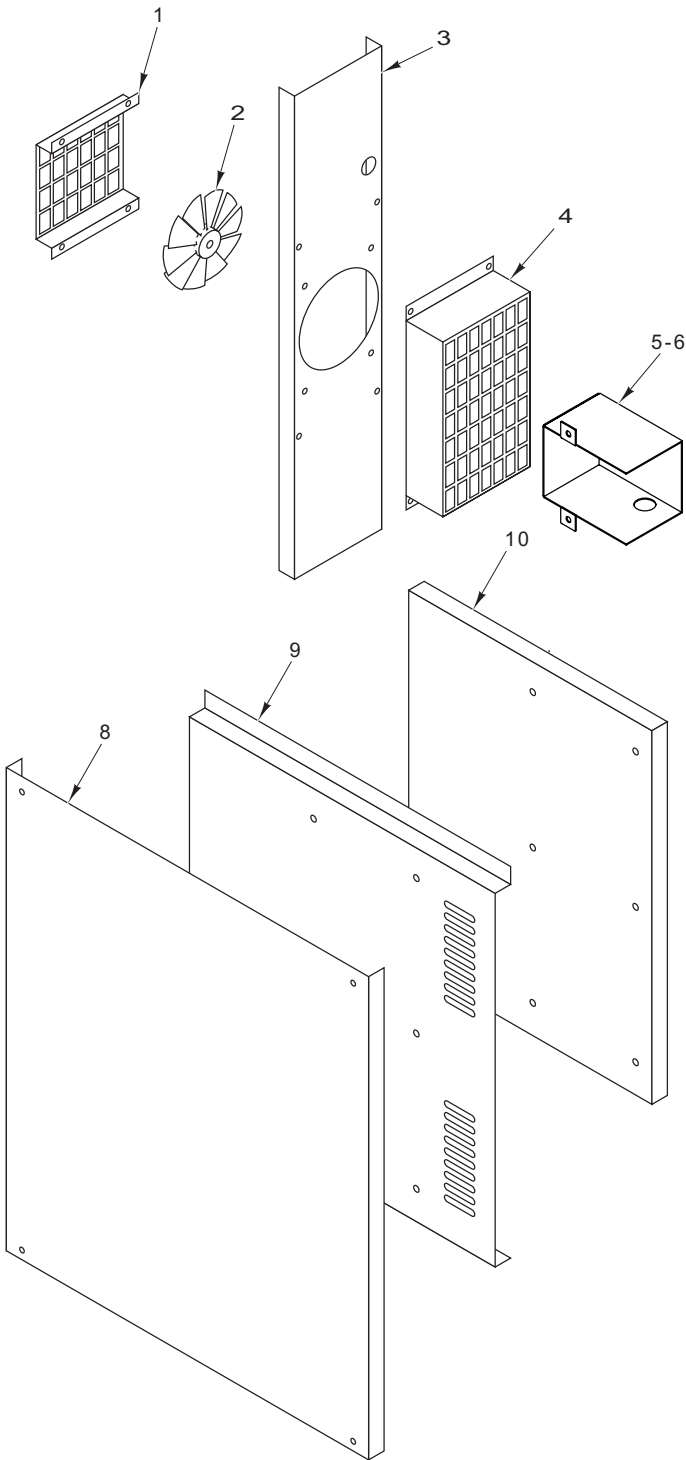
ILLUS. PL-56670	PART NO.	NAME OF PART	AMT.
1	01-1P2457-00001	Controller Kit	1
2	01-1000V4-00019	Boot – Toggle Switch	1
3	01-100V10-00040	Knob (1/4 Shaft)	2
4	01-1000V6-00250	Switch – Toggle (On/Off).....	1
5	01-1000V7-00022	Light – Indicator (RFD) (On/Off).....	1
6	01-1000V1-00022	O-Ring	1
7	01-10P551-00001	Bracket – Humidity Base	1
8	01-100V10-00056	Base – Humidity.....	1
9	01-1P1483-00001	Sensor – Humidity	1
10	01-1000V6-00205	Switch – Hi-Limit Temperature	1
11	01-1P1540-00001	Sensor – Temperature	1
	01-100V10-00194	Transformer (115/230 V.) (Export)	1
	01-1P1778-00001	Harness – Main.....	1



PL-58921

CONTROL PANEL ASSEMBLY (CURRENT CONSTRUCTION)

ILLUS.	PART NO.	NAME OF PART	AMT.
PL-58921			
1	01-1P2444-00001	Panel – Control (Incls. Items 2, 3, & 4)	1
2	01-100V16-00673	Overlay – Membrane	1
3	01-100V16-00672	Board – PCB	1
4	01-1P2445-00001	Buzzer	1
5	01-1P1875-00002	Sensor Assy. – Humidity With Filter	1
6	01-1P1905-00003	Bracket – Sensor Assy.	1
7	SD-033-84	Screw 10-32 x 1/2 Phil. Truss Hd. (SST)	2

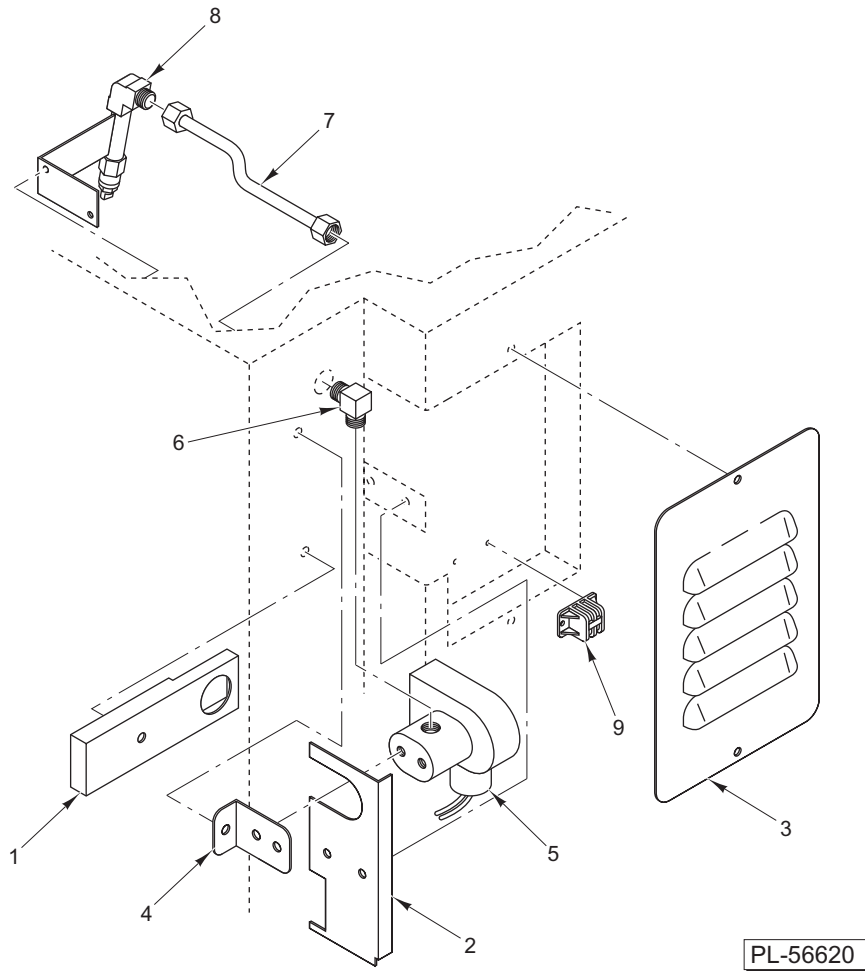


PL-56671

HUMIDIFIER UNIT

HUMIDIFIER UNIT

ILLUS.	PART NO.	NAME OF PART	AMT.
PL-56671			
1	01-1P1646-00001	Fan Guard.....	1
2	01-1000V8-0079B	Blower Wheel (Fan).....	1
3	01-1P1566-00001	Housing – Fan	1
4	01-1P1647-00001	Motor Mount – Fan	1
5	01-1P2219-00001	Fan – Motor Enclosure (Incls. Item 6) (Previous Construction).....	1
6	01-1000V8-0079M	Blower Motor.....	1
7	01-1P1648-00001	Fan – Motor Enclosure (Current Construction).....	1
8	01-1P1574-00001	Plate – Cover (Service Entrance).....	1
9	01-1P1708-00002	Plate – Heater Element (Outer).....	1
10	01-1P1708-00001	Plate – Heater Element (Inner).....	1
11	01-100V10-00170	Element – Heater (120 V., 810 W.).....	2
	01-1P1582-00001	Fan Housing Assy. (Incls. Items 1 thru 4, & 6).....	1
	01-1P1581-00001	Heat Plate Assy. (Incls. Items 9, 10, & 11).....	1



WATER SUPPLY

ILLUS.	PART NO.	NAME OF PART	AMT.
PL-56620			
1	01-1P1782-00001	Box – Cover	1
2	01-1P1783-00001	Angle – Cover	1
3	01-1P1784-00001	Plate – Cover	1
4	01-1P1787-00001	Bracket – Solenoid Mounting	1
5	01-100V17-00075	Valve – Solenoid (120 V.)	1
6	01-100V17-00073	Elbow 1/4 x 90 Deg.	1
7	01-100V17-00032	Tube – Copper	1
8	01-1P1363-00002	Spray Nozzle – Air Duct	1
9	01-1P1575-00001	Terminal Block	1
	01-100V11-00149	Tubing – Liquidtight	AR
	01-100V11-00150	Connector – Liquidtight	2
	01-100V15-00038	Grommet	1