



# CATALOG OF REPLACEMENT PARTS



## PROOFING CABINET BASE

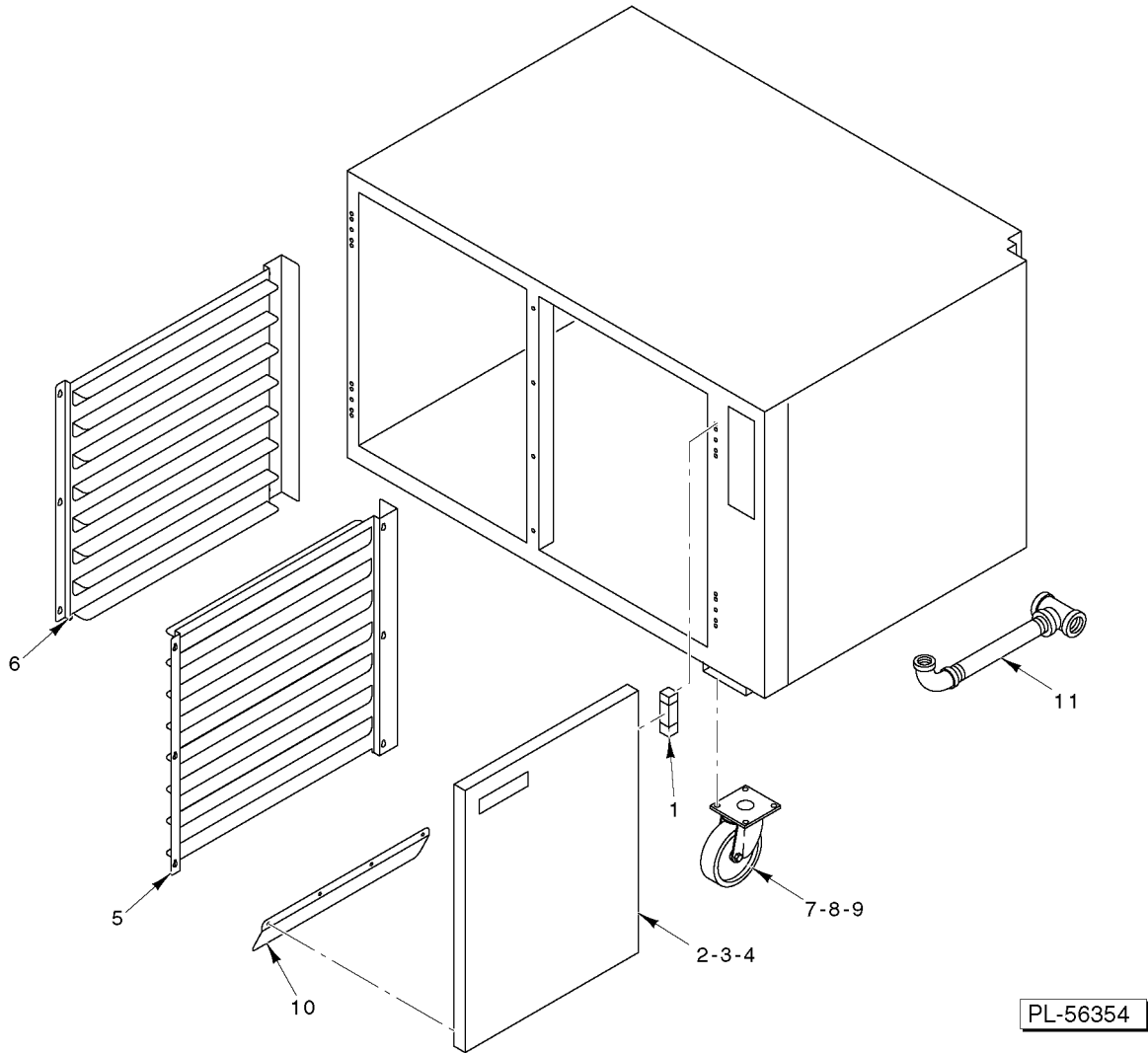
ML-132184  
ML-132514

PC800  
MB300



**Table of Contents**

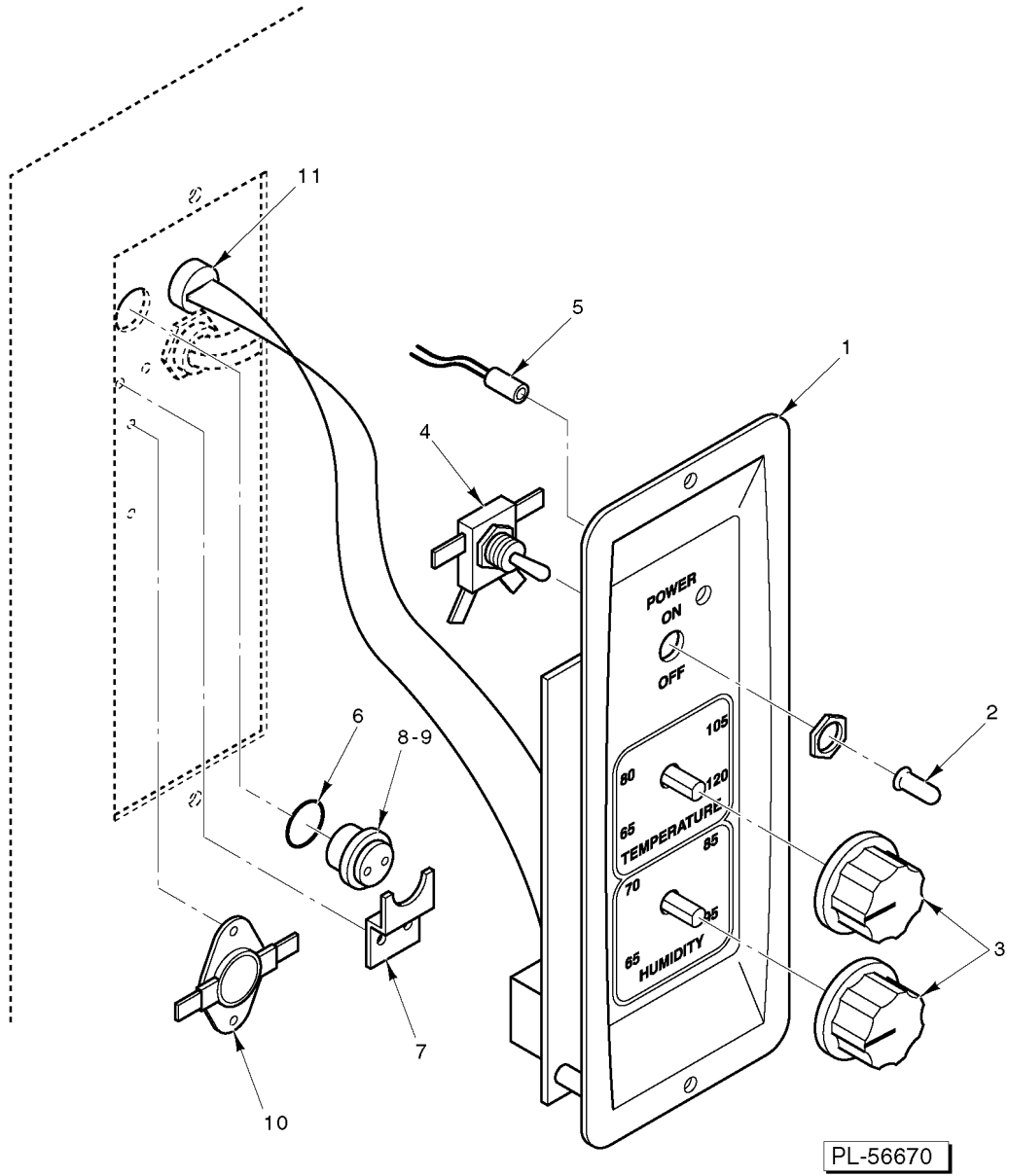
|    |   |
|----|---|
| 5  | CABINET UNIT  |
| 7  | CONTROL PANEL ASSEMBLY (PREVIOUS CONSTRUCTIONS)     |
| 9  | CONTROL PANEL ASSEMBLY MB300 (CURRENT CONSTRUCTION) |
| 11 | HUMIDIFIER UNIT                                     |
| 13 | WATER SUPPLY  |



**CABINET UNIT**

**CABINET UNIT**

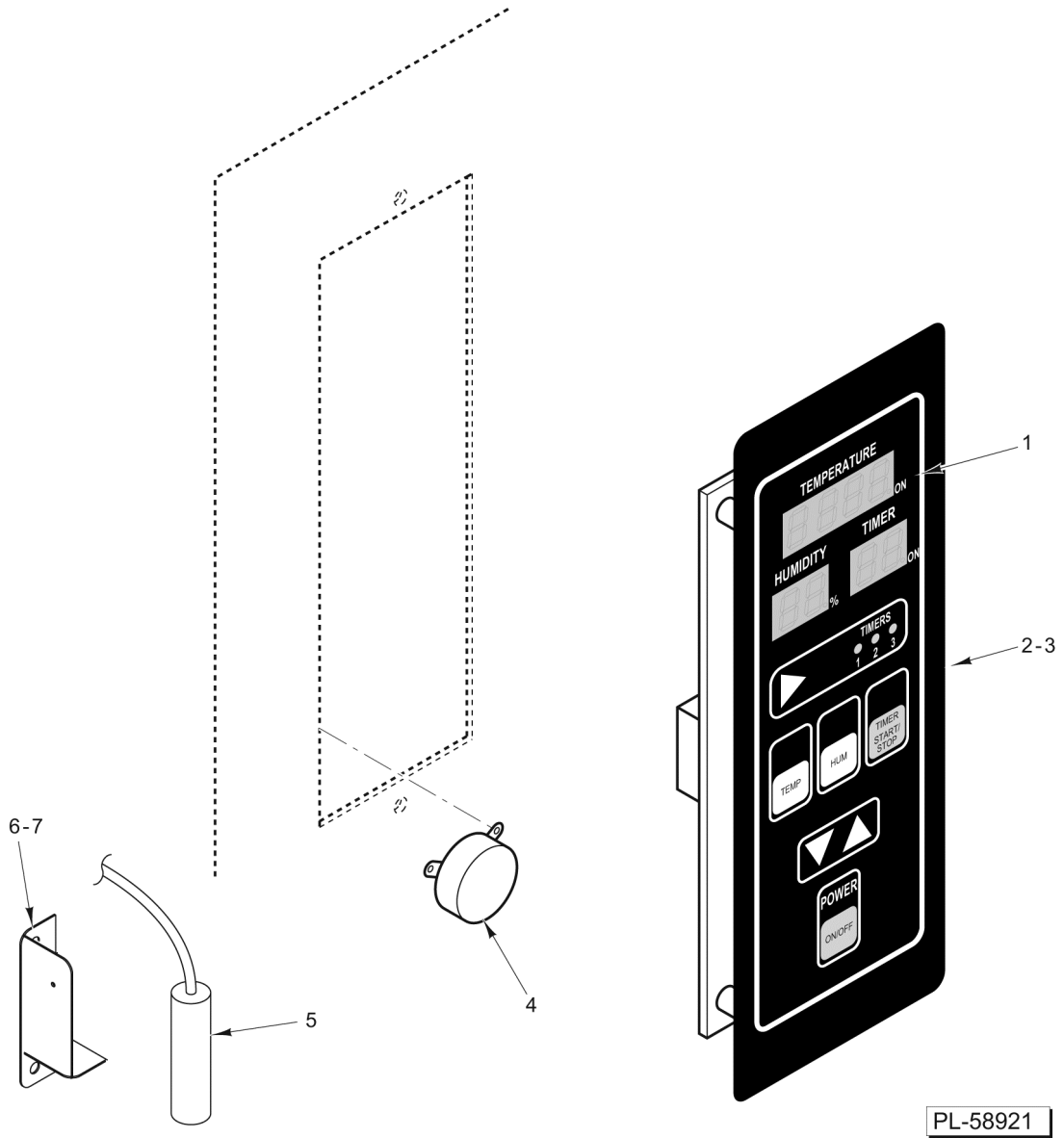
| ILLUS. | PART NO.         | NAME OF PART                                     | AMT. |
|--------|------------------|--|------|
|        | <b>PL-56354A</b> |  |      |
| 1      | 01-100V18-00118  | Hinge - Oven Door.....                           | 4    |
| 2      | 01-1P1814-00001  | Door Assy. (LH) (Incls. Item 4) (Not Shown)..... | 1    |
| 3      | 01-1P1814-00002  | Door Assy. (RH) (Incls. Item 4).....             | 1    |
| 4      | 01-100V16-0271D  | Gasket - Door (Four Sided).....                  | AR   |
| 5      | 01-1P1571-00002  | Rack - Side (RH).....                            | 2    |
| 6      | 01-1P1571-00001  | Rack - Side (LH).....                            | 2    |
| 7      | 01-100V14-00046  | Caster - Plate Swivel (W/Brake).....             | 2    |
| 8      | 01-100V14-00047  | Caster - Plate Rigid.....                        | 2    |
| 9      | 01-1A2309-00001  | Kit - Shim Caster.....                           | 1    |
| 10     | 01-1P1652-00001  | Deflector - Moisture.....                        | 2    |
| 11     | 01-1P1572-00001  | Drain Pipe Assy.....                             | 1    |
|        | 01-1M3475-00001  | Retainer.....                                    | 2    |
|        | 01-1000V5-00035  | Bushing - Snap (1 In. Hole).....                 | 3    |
|        | 01-1000V5-00059  | Bushing - Snap (0.88 In. Hole).....              | 1    |
|        | 01-100V10-00194  | Transformer (115/230 V.).....                    | 1    |



**CONTROL PANEL ASSEMBLY  
(PREVIOUS CONSTRUCTIONS)**

**CONTROL PANEL ASSEMBLY  
(PREVIOUS CONSTRUCTIONS)**

| ILLUS.    | PART NO.        | NAME OF PART                                     | AMT. |
|-----------|-----------------|--|------|
| PL-56670A |                 |  |      |
| 1         | 01-1P1541-00001 | Control Panel Assy. (Incls. Items 2 thru 5)..... | 1    |
| 2         | 01-1000V4-00019 | Boot - Toggle Switch.....                        | 1    |
| 3         | 01-100V10-00040 | Knob (1/4 Shaft).....                            | 2    |
| 4         | 01-1000V6-00151 | Switch - Toggle (On/Off).....                    | 1    |
| 5         | 01-1000V7-00022 | Light - Indicator (RFD) (On/Off).....            | 1    |
| 6         | 01-1000V1-00022 | O-Ring.....                                      | 1    |
| 7         | 01-10P551-00001 | Bracket - Humidity Base.....                     | 1    |
| 8         | 01-100V10-00056 | Base - Humidity.....                             | 1    |
| 9         | 01-1P1483-00001 | Sensor - Humidity.....                           | 1    |
| 10        | 01-1000V6-00205 | Switch - Hi-Limit Temperature.....               | 1    |
| 11        | 01-1P1540-00001 | Sensor - Temperature.....                        | 1    |

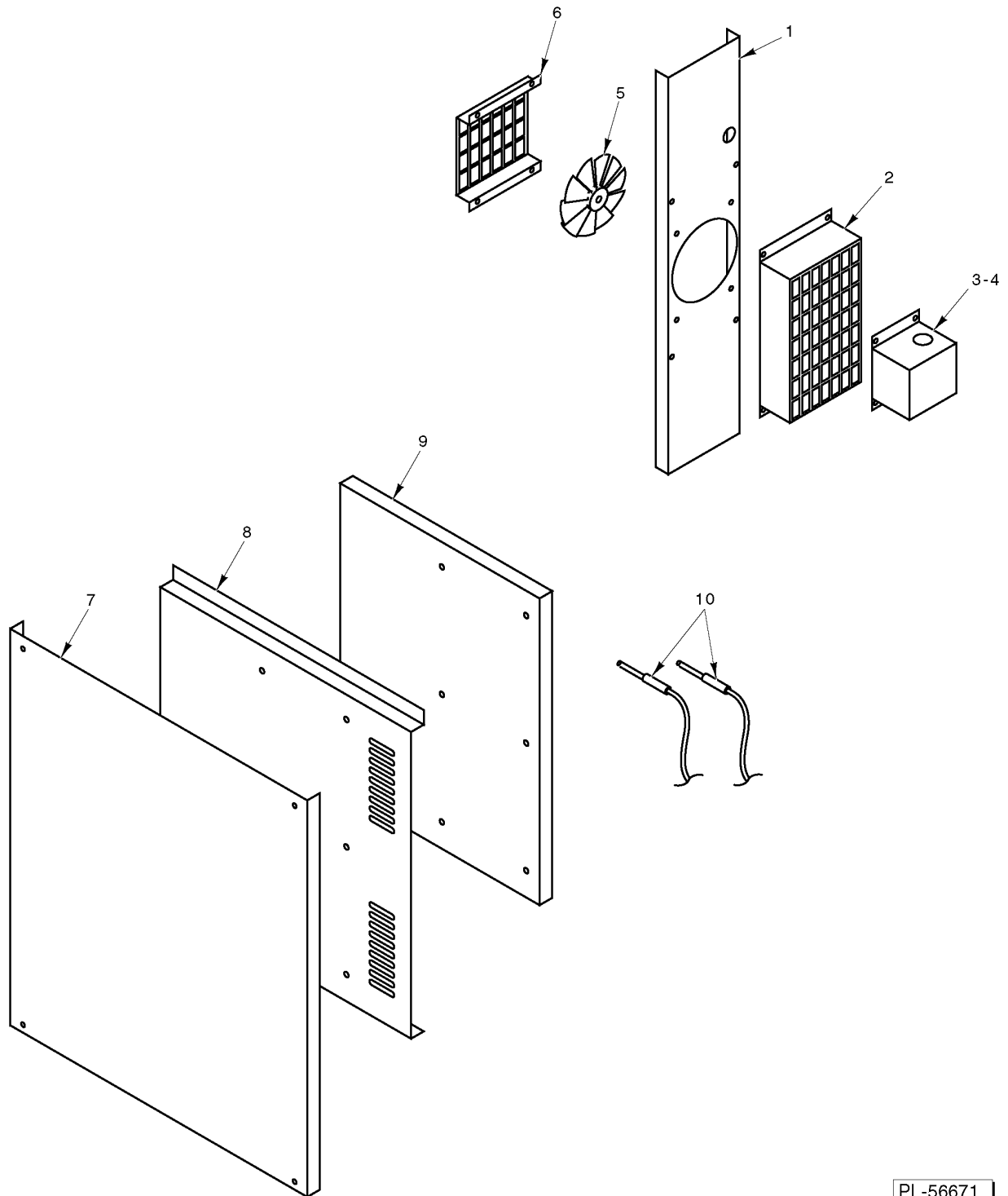


**CONTROL PANEL ASSEMBLY MB300  
(CURRENT CONSTRUCTION)**



**CONTROL PANEL ASSEMBLY MB300  
(CURRENT CONSTRUCTION)**

| ILLUS.   | PART NO.        | NAME OF PART                                  | AMT. |
|----------|-----------------|---|------|
| PL-58921 |                 |   |      |
| 1        | 01-1P2444-00001 | Panel - Control (Incls. Items 2, 3, & 4)..... | 1    |
| 2        | 01-100V16-00673 | Overlay - Membrane.....                       | 1    |
| 3        | 01-100V16-00672 | Board - PCB.....                              | 1    |
| 4        | 01-1P2445-00001 | Buzzer.....                                   | 1    |
| 5        | 01-1P1875-00002 | Sensor Assy. - Humidity With Filter.....      | 1    |
| 6        | 01-1P1905-00003 | Bracket - Sensor Assy.....                    | 1    |
| 7        | SD-033-84       | Screw 10-32 x 1/2 Phil. Truss Hd. (SST).....  | 2    |

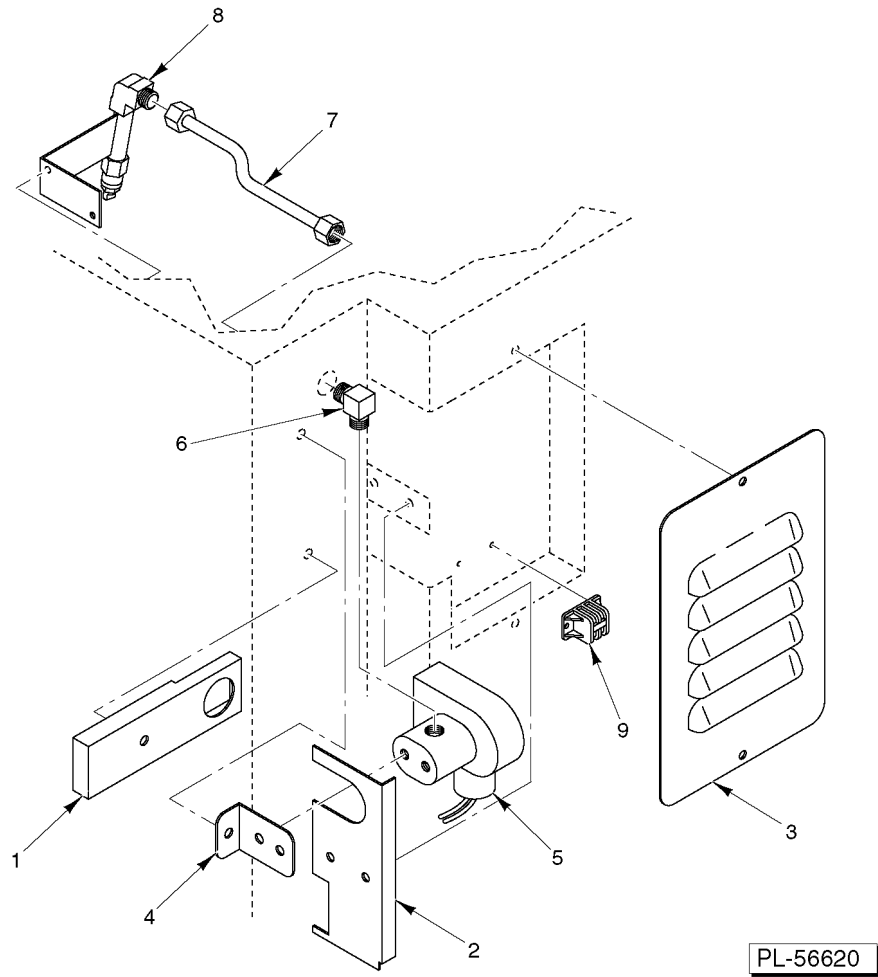


PL-56671

**HUMIDIFIER UNIT**

**HUMIDIFIER UNIT**

| ILLUS.    | PART NO.        | NAME OF PART                                    | AMT. |
|-----------|-----------------|---|------|
| PL-56671A |                 |   |      |
| 1         | 01-1P1566-00001 | Housing - Fan.....                              | 1    |
| 2         | 01-1P1647-00001 | Motor Mount - Fan.....                          | 1    |
| 3         | 01-1P1648-00001 | Fan Motor Enclosure.....                        | 1    |
| 4         | 01-1000V8-0079M | Blower Motor.....                               | 1    |
| 5         | 01-1000V8-0079B | Blower Wheel (Fan).....                         | 1    |
| 6         | 01-1P1646-00001 | Fan Guard.....                                  | 1    |
| 7         | 01-1P1574-00001 | Pressure Panel.....                             | 1    |
| 8         | 01-1P1708-00002 | Plate - Heater Element (Outer).....             | 1    |
| 9         | 01-1P1708-00001 | Plate - Heater Element (Inner).....             | 1    |
| 10        | 01-100V10-00170 | Element - Heater (120 V., 810 W.).....          | 2    |
|           | 01-1P1582-00001 | Fan Housing Assy. (Incls. Items 1 thru 6).....  | 1    |
|           | 01-1P1581-00001 | Heat Plate Assy. (Incls. Items 8, 9, & 10)..... | 1    |



**WATER SUPPLY**

**WATER SUPPLY**

| ILLUS.    | PART NO.        | NAME OF PART                     | AMT. |
|-----------|-----------------|----------------------------------|------|
| PL-56620A |                 |                                  |      |
| 1         | 01-1P1782-00001 | Box - Cover.....                 | 1    |
| 2         | 01-1P1783-00001 | Angle - Cover.....               | 1    |
| 3         | 01-1P1784-00001 | Plate - Cover.....               | 1    |
| 4         | 01-1P1787-00001 | Bracket - Solenoid Mounting..... | 1    |
| 5         | 01-100V17-00075 | Valve - Solenoid (120 V.).....   | 1    |
| 6         | 01-100V17-00073 | Elbow 1/4 x 90 Deg.....          | 1    |
| 7         | 01-100V17-00032 | Tube - Copper.....               | 1    |
| 8         | 01-1P1363-00002 | Spray Nozzle - Air Duct.....     | 1    |
| 9         | 01-1P1575-00001 | Terminal Block.....              | 1    |
|           | 01-100V11-00149 | Tubing.....                      | AR   |
|           | 01-100V11-00150 | Connector.....                   | 2    |
|           | 01-100V15-00038 | Grommet.....                     | 1    |

