



CATALOG OF REPLACEMENT PARTS

HPW PROOFER AND HRPW RETARDER/PROOFER

MODEL HPW1E

ML-132433	34 In.
ML-132476	60.5 In.
ML-132434	80.5 In.
ML-132477	100.5 In.
ML-132435	120.5 In.

MODEL HRPW1S

ML-132457	40.5 In.
ML-132458	60.5 In.
ML-132459	80.5 In.
ML-132460	100.5 In.
ML-132461	120.5 In.

MODEL HPW1S

ML-132436	40.5 In.
ML-132437	60.5 In.
ML-132438	80.5 In.
ML-132439	100.5 In.
ML-132440	120.5 In.

MODEL HRPW2E

ML-132462	40.5 In.
ML-132485	60.5 In.
ML-132463	80.5 In.
ML-132486	100.5 In.
ML-132464	120.5 In.

MODEL HPW2E

ML-132441	40.5 In.
ML-132478	60.5 In.
ML-132442	80.5 In.
ML-132479	100.5 In.
ML-132443	120.5 In.

MODEL HRPW2S

ML-132465	40.5 In.
ML-132466	60.5 In.
ML-132487	80.5 In.
ML-132488	100.5 In.
ML-132489	120.5 In.

MODEL HPW2S

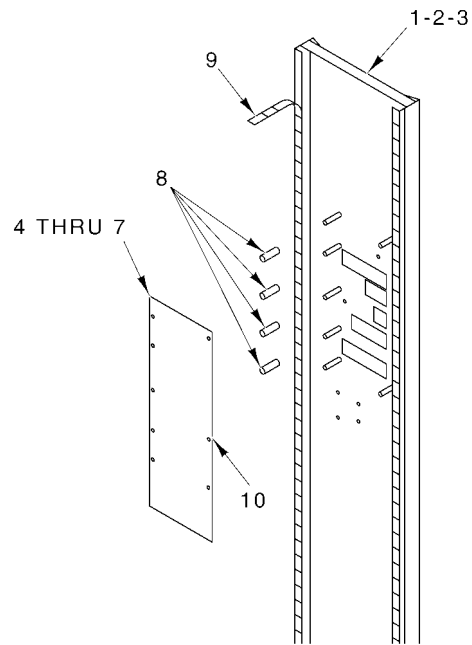
ML-132444	40.5 In.
ML-132445	60.5 In.
ML-132446	80.5 In.
ML-132447	100.5 In.
ML-132448	120.5 In.

MODEL HPW3S

ML-132449	40.5 In.
ML-132450	60.5 In.
ML-132451	80.5 In.
ML-132452	100.5 In.
ML-132453	120.5 In.

Table of Contents

5	CONTROL PANEL
7	SINGLE DOOR CABINET
9	DOUBLE DOOR CABINET
11	TRIPLE DOOR CABINET
13	SINGLE DOOR
15	DOUBLE DOOR
17	TRIPLE DOOR
19	FRONT TRIM AND BUMPER
21	AIR SUPPLY
23	CONTROL/SERVICE ENTRANCE, THERMISTOR, AND HUMIDITY SENSOR
25	WATER SUPPLY AND UPPER TRIM
27	CONDENSER (R22) (RETARDER/PROOFER)
29	REFRIGERATION FLEX CONDUIT (RETARDER/PROOFER)

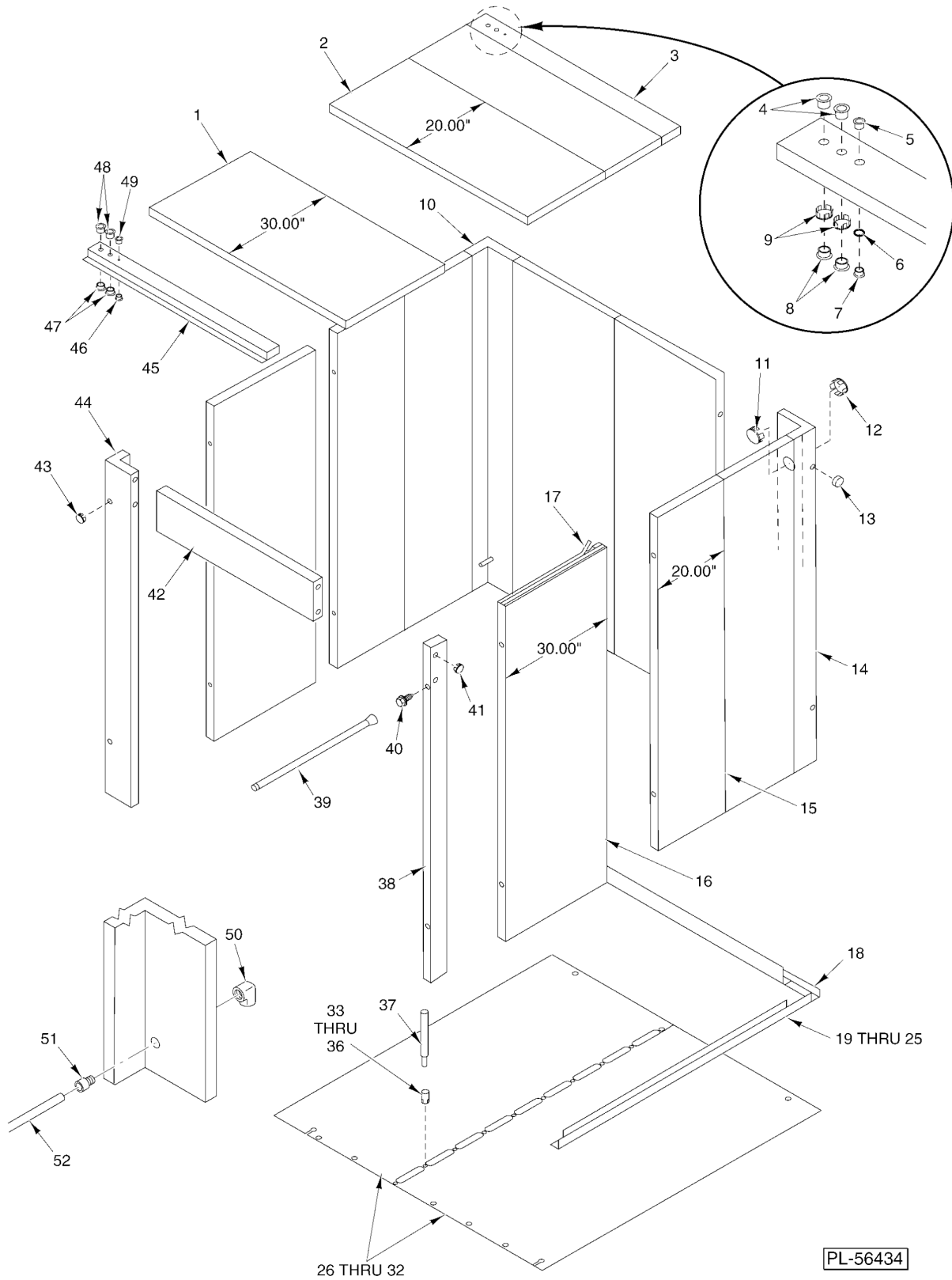


PL-57090

CONTROL PANEL

CONTROL PANEL

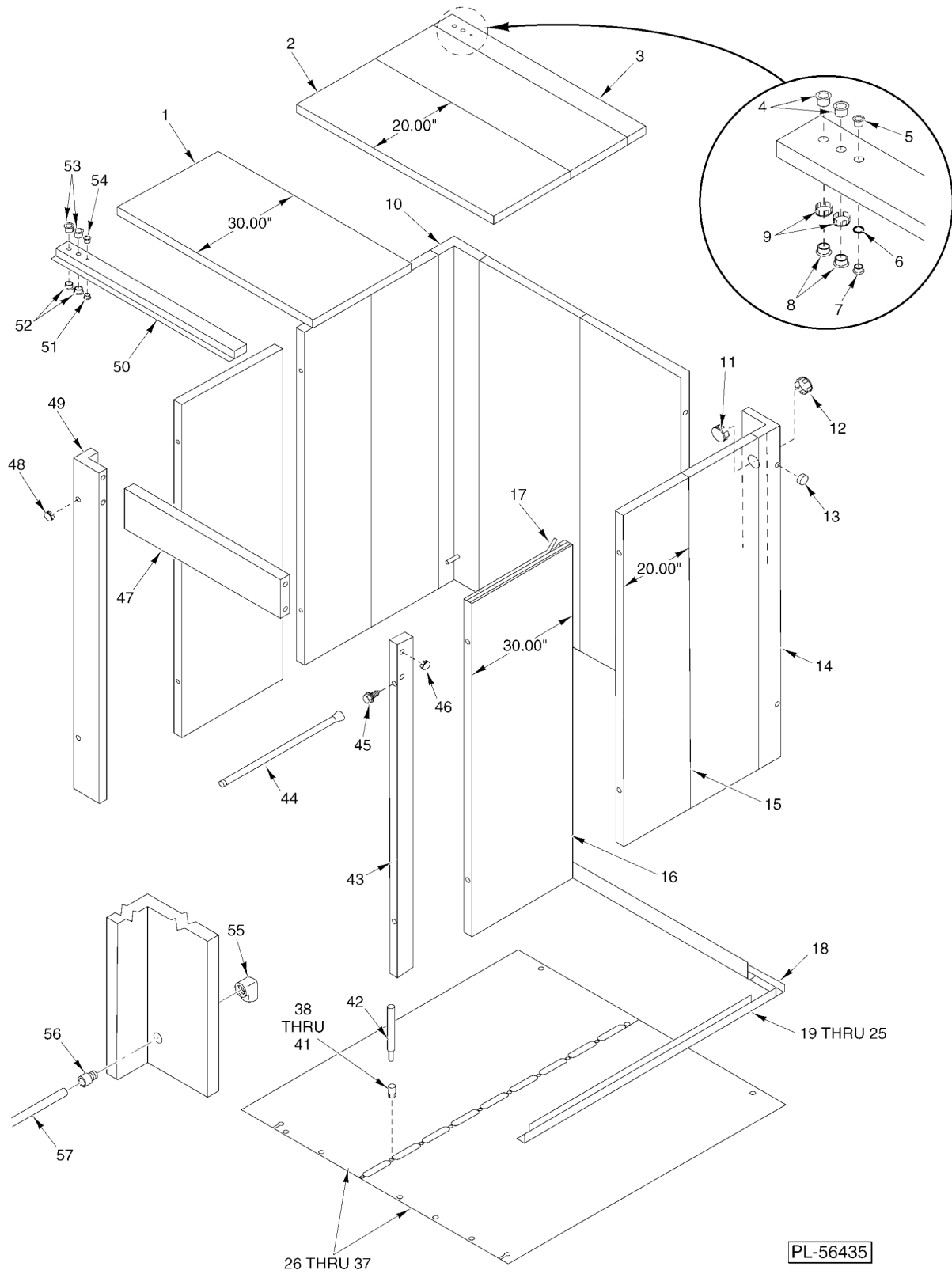
ILLUS.	PART NO.	NAME OF PART	AMT.
	PL-57090		
1	01-1P1818-00001	Panel - Weldment W/O Fas-Thaw (Retarder/Proofer).....	1
2	01-1P1818-00002	Panel - Weldment W/Fas-Thaw (Retarder/Proofer).....	1
3	01-1P1818-00003	Panel - Weldment W/O Fas-Thaw (Proofer).....	1
4	01-1P1462-00001	PC Board Control w/o Fas-Thaw (Proofer).....	1
5	01-1P1462-00002	PC Board Control w/Fas-Thaw (Proofer).....	1
6	01-1P1462-00003	PC Board Control w/o Fas-Thaw (Proofer/Retarder).....	1
7	01-1P1819-0006A	PCB Assy. W/Fas-Thaw (Retarder/Proofer).....	1
8	01-1M3001-00003	Spacer - Board.....	8
9	01-100V21-00092	Gasket - Extruded (PVC).....	AR
10	01-100V23-00S3B	Cap - Black Rubber (For Switches).....	AR
	01-1P1820-0001A	Control Panel (Incls. Items 5, 9, & 10).....	1
	01-1P1820-0003A	Control Panel - Door W/Fas-Thaw (Incls. Items 6, 9, & 10).....	1
	01-100V16-0335A	Label - Control Panel Setup.....	1
	01-100V16-0277H	Overlay - Control w/o Fas-Thaw (Roofer/Retarder).....	1
	01-100V16-0279H	Overlay - Control w/o Fas-Thaw (Proofer).....	1
	01-100V16-0278H	Overlay - Control w/Fas-Thaw (Proofer).....	1



SINGLE DOOR CABINET

SINGLE DOOR CABINET

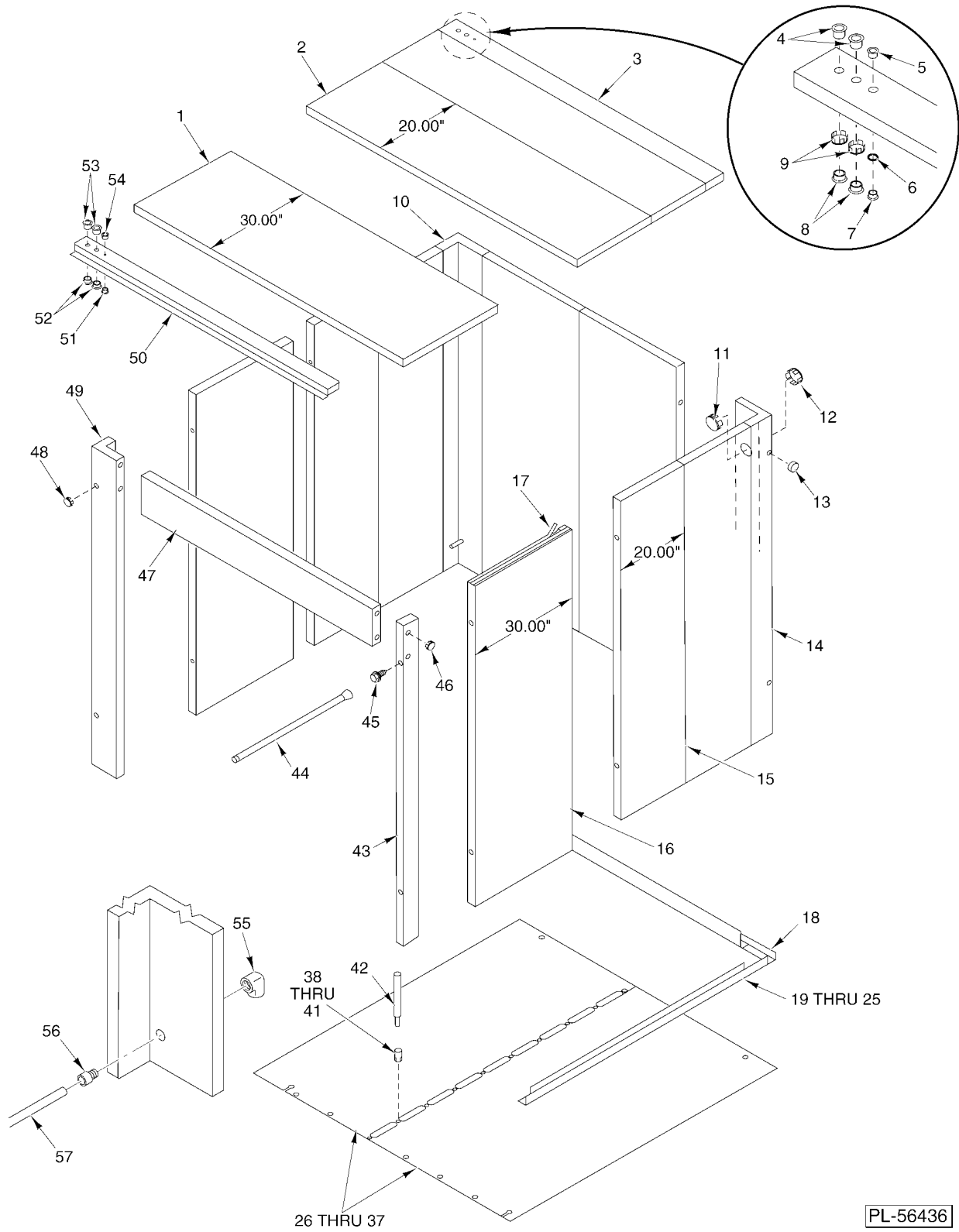
ILLUS. PL-56434	PART NO.	NAME OF PART	AMT.
1	01-1P1242-00004	Panel - Ceiling (30 In. x 38 In.).....	AR
2	01-1P1242-00001	Panel - Ceiling (20 In. x 38 In.).....	AR
3	01-1P1266-00001	Ceiling - Rear.....	1
4	01-1000V5-00035	Bushing - Snap (1 In.).....	2
5	01-1000V5-00143	Bushing - Snap 5/8.....	2
6	01-100V15-00049	Plug - Nickel Plated 5/8.....	1
7	01-1000V5-00143	Bushing - Snap 5/8.....	2
8	01-1000V5-00035	Bushing - Snap (1 In.).....	2
9	01-100V15-00058	Plug - Nickel Plated 1 In.....	4
10	01-1P1225-00002	Corner - Rear (Left Side).....	1
11	01-100V15-00047	Plug - Nickel Plated 1 1/4 In.....	3
12	01-100V15-00058	Plug - Nickel Plated 1 In.....	1
13	01-100V15-00065	Plug - Modified.....	12
14	01-1P1225-00001	Corner - Rear (Right Side).....	1
15	01-1P1219-00001	Panel - Wall (20 In. Wide).....	AR
16	01-1P1219-00002	Panel - Wall (30 In. Wide).....	AR
17	01-100V21-00092	Gasket - PVC Extruded (Per Foot).....	AR
18	01-1P1275-03800	Channel - Base Rear (38.00 In.).....	1
19	01-1P1275-02506	Channel - Base Side (25.06 In.).....	2
20	01-1P1275-03506	Channel - Base Side (35.06 In.).....	2
21	01-1P1275-04506	Channel - Base Side (45.06 In.).....	2
22	01-1P1275-05506	Channel - Base Side (55.06 In.).....	2
23	01-1P1275-06506	Channel - Base Side (65.06 In.).....	2
24	01-1P1275-07506	Channel - Base Side (75.06 In.).....	2
25	01-1P1275-11506	Channel - Base Side (115.06 In.).....	2
26	01-1P1306-00028	Floor Assy. (36.08 In.).....	1
27	01-1P1306-00038	Floor Assy. (46.08 In.).....	1
28	01-1P1306-00048	Floor Assy. (56.08 In.).....	1
29	01-1P1306-00058	Floor Assy. (66.08 In.).....	1
30	01-1P1306-00068	Floor Assy. (76.08 In.).....	1
31	01-1P1306-00078	Floor Assy. (86.08 In.).....	1
32	01-1P1306-00118	Floor Assy. (126.08 In.).....	1
33	01-1000V4-00073	Anchor - Drop-In 1/4-20.....	AR
34	01-1000V4-00221	Mach. Screw 1/4-20 x 1/2 Phil. Flat Hd. (SST).....	AR
35	01-1000V4-00222	Mach. Screw 1/4-20 x 3/4 Phil. Flat Hd. (SST).....	AR
36	01-1000V4-00223	Mach. Screw 1/4-20 x 1 Phil. Flat Hd. (SST).....	AR
37	01-1000V4-0073A	Tool - Setting.....	1
38	01-1P1509-00002	Jamb - Outer (Right Side).....	1
39	01-1P1334-00001	Extender - Socket Assy.....	1
40	01-1000V4-00102	Screw - Gimlet Point Hex Hd.....	AR
41	01-100V15-00065	Plug - Plated.....	6
42	01-1P1238-00001	Header.....	1
43	01-100V15-00065	Plug - Plated.....	6
44	01-1P1509-00001	Jamb - Outer (Left side).....	1
45	01-1P1347-00001	Filler - Ceiling.....	1
46	01-1000V5-00143	Bushing - Snap 5/8.....	1
47	01-1000V5-00035	Bushing - Snap (1 In.).....	2
48	01-1000V5-00035	Bushing - Snap (1 In.).....	2
49	01-1000V5-00143	Bushing - Snap 5/8.....	1
50	01-100V17-00313	Elbow.....	1
51	01-100V17-00326	Fitting 5/8 COMP x 1/2 NPTM.....	2
52	01-100V17-00102	Tubing Copper 5/8 O.D.....	AR



DOUBLE DOOR CABINET

DOUBLE DOOR CABINET

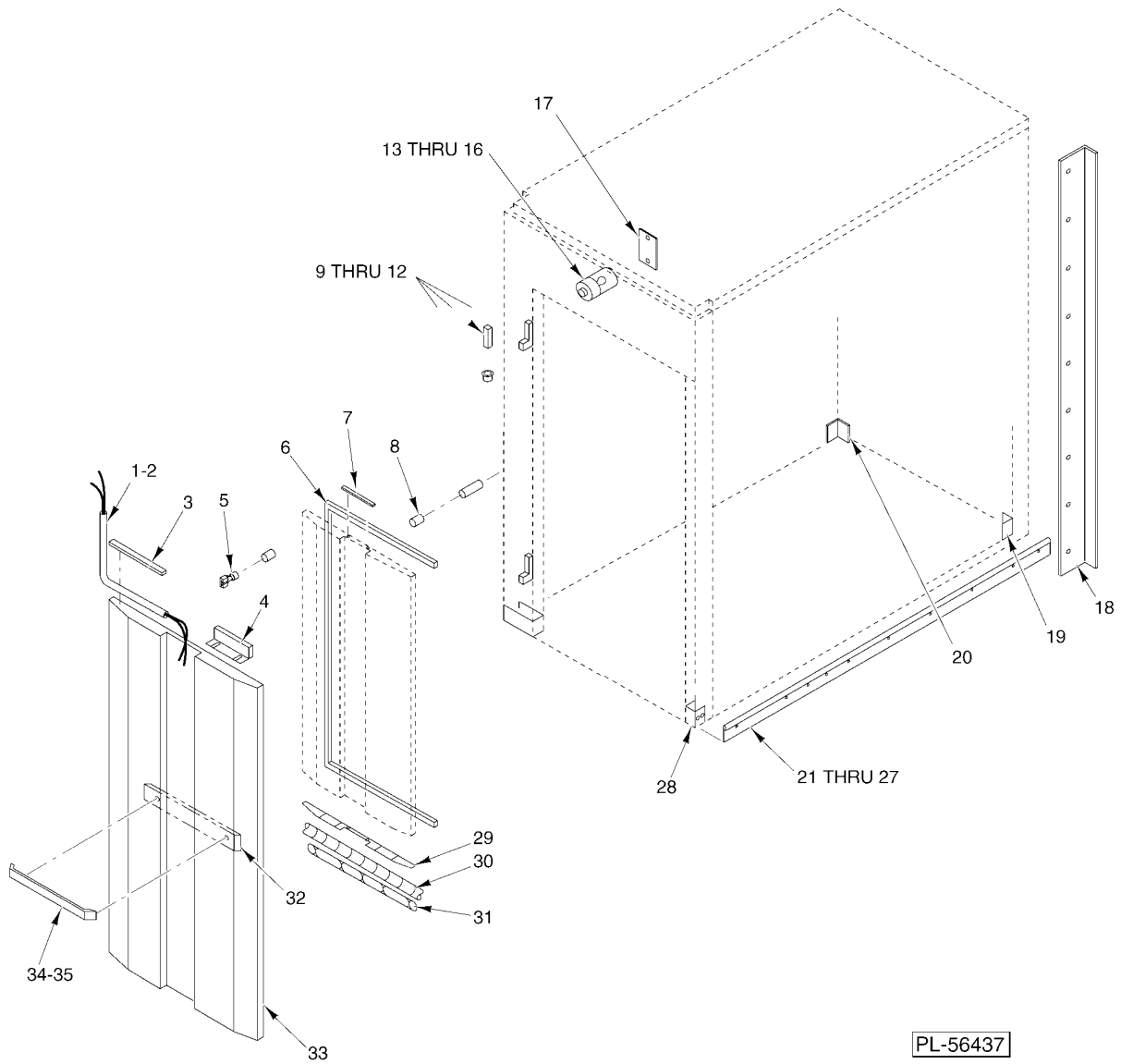
ILLUS.	PART NO.	NAME OF PART	AMT.
PL-56435			
1	01-1P1242-00006	Panel - Ceiling (30 In. x 78.62 In.).....	AR
2	01-1P1242-00003	Panel - Ceiling (20 In. x 78.62 In.).....	AR
3	01-1P1266-00002	Ceiling - Rear.....	1
4	01-1000V5-00035	Bushing - Snap (1 In.).....	AR
5	01-1000V5-00143	Bushing - Snap 5/8.....	4
6	01-100V15-00049	Plug - Nickel Plated 5/8.....	1
7	01-1000V5-00143	Bushing - Snap 5/8.....	4
8	01-1000V5-00035	Bushing - Snap (1 In.).....	AR
9	01-100V15-00058	Plug - Nickel Plated 1 In.....	6
10	01-1P1225-00003	Corner - Rear (Left Side).....	1
11	01-100V15-00047	Plug - Nickel Plated 1 1/4 In.....	4
12	01-100V15-00049	Plug - Nickel Plated 5/8.....	1
13	01-100V15-00065	Plug - Modified.....	10
14	01-1P1225-00001	Corner - Rear (Right Side).....	1
15	01-1P1219-00001	Panel - Wall (20 In. Wide).....	AR
16	01-1P1219-00002	Panel - Wall (30 In. Wide).....	AR
17	01-100V21-00092	Gasket - PVC Extruded (Per Foot).....	AR
18	01-1P1275-07862	Channel - Base Rear (78.62 In.).....	1
19	01-1P1275-02506	Channel - Base Side (25.06 In.).....	2
20	01-1P1275-03506	Channel - Base Side (35.06 In.).....	2
21	01-1P1275-04506	Channel - Base Side (45.06 In.).....	2
22	01-1P1275-05506	Channel - Base Side (55.06 In.).....	2
23	01-1P1275-06506	Channel - Base Side (65.06 In.).....	2
24	01-1P1275-07506	Channel - Base Side (75.06 In.).....	2
25	01-1P1275-11506	Channel - Base Side (115.06 In.).....	2
26	01-1P1307-00028	Floor Assy. (31.08 In.).....	1
27	01-1P1307-00038	Floor Assy. (41.08 In.).....	1
28	01-1P1307-00048	Floor Assy. (51.08 In.).....	1
29	01-1P1307-00058	Floor Assy. (61.08 In.).....	1
30	01-1P1307-00068	Floor Assy. (71.08 In.).....	1
31	01-1P1307-00078	Floor Assy. (81.08 In.).....	1
32	01-1P1307-00118	Floor Assy. (121.08 In.).....	1
33	01-1P1307-0048R	Floor Assy. (51.08 In.).....	1
34	01-1P1307-0058R	Floor Assy. (61.08 In.).....	1
35	01-1P1307-0068R	Floor Assy. (71.08 In.).....	1
36	01-1P1307-0078R	Floor Assy. (81.08 In.).....	1
37	01-1P1307-0118R	Floor Assy. (121.08 In.).....	1
38	01-1000V4-00073	Anchor - Drop-In 1/4-20.....	AR
39	01-1000V4-00221	Mach. Screw 1/4-20 x 1/2 Phil. Flat Hd. (SST).....	AR
40	01-1000V4-00222	Mach. Screw 1/4-20 x 3/4 Phil. Flat Hd. (SST).....	AR
41	01-1000V4-00223	Mach. Screw 1/4-20 x 1 Phil. Flat Hd. (SST).....	AR
42	01-1000V4-0073A	Tool - Setting.....	1
43	01-1P1509-00005	Jamb - Outer (Right Side).....	1
44	01-1P1334-00001	Socket - Extender Assy.....	1
45	01-1000V4-00102	Screw - Gimlet Point Hex Hd.....	AR
46	01-100V15-00065	Plug - Modified.....	10
47	01-1P1238-00002	Header.....	1
48	01-100V15-00065	Plug - Modified.....	10
49	01-1P1509-00003	Jamb - Outer (Left Side).....	1
50	01-1P1348-00002	Filler - Ceiling.....	1
51	01-1000V5-00143	Bushing - Snap 5/8.....	4
52	01-1000V5-00035	Bushing - Snap (1 In.).....	AR
53	01-1000V5-00035	Bushing - Snap (1 In.).....	AR
54	01-1000V5-00143	Bushing - Snap 5/8.....	4
55	01-100V17-00313	Elbow.....	1
56	01-100V17-00326	Fitting 5/8 COMP x 1/2 NPTM.....	2
57	01-100V17-00102	Tubing Copper 5/8 O.D.....	AR



TRIPLE DOOR CABINET

TRIPLE DOOR CABINET

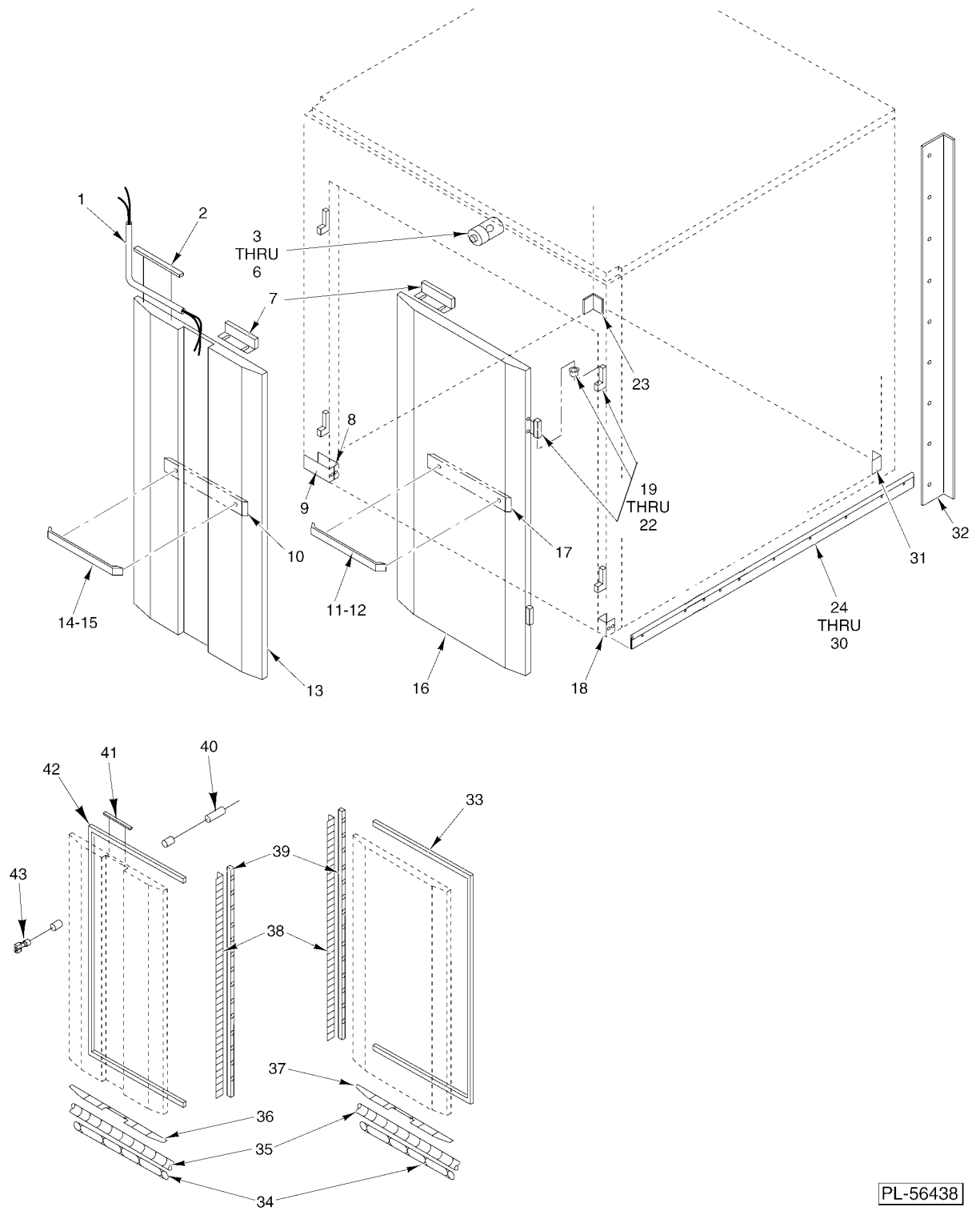
ILLUS.	PART NO.	NAME OF PART	AMT.
PL-56436			
1	01-1P1515-00008	Panel - Ceiling (30 In. x 118 5/8 In.).....	AR
2	01-1P1515-00004	Panel - Ceiling (20 x118 5/8 In.).....	AR
3	01-1P1266-00003	Ceiling - Rear.....	1
4	01-1000V5-00035	Bushing - Snap (1 In.).....	2
5	01-1000V5-00143	Bushing - Snap 5/8.....	1
6	01-100V15-00049	Plug - Nickel Plated 5/8.....	1
7	01-1000V5-00143	Bushing - Snap 5/8.....	1
8	01-1000V5-00035	Bushing - Snap (1 In.).....	2
9	01-100V15-00058	Plug - Nickel Plated 1 In.....	6
10	01-1P1225-00003	Corner - Rear (Left Side).....	1
11	01-100V15-00047	Plug - Nickel Plated 1 1/4 In.....	4
12	01-100V15-00058	Plug - Nickel Plated 1 In.....	6
13	01-100V15-00065	Plug - Modified.....	10
14	01-1P1225-00001	Corner - Rear (Right Side).....	1
15	01-1P1219-00001	Panel - Wall (20 In. Wide).....	AR
16	01-1P1219-00002	Panel - Wall (30 In. Wide).....	AR
17	01-100V21-00092	Gasket - PVC Extruded (Per Foot).....	AR
18	01-1P1275-11862	Channel - Base Rear (118.62 In.).....	1
19	01-1P1275-02506	Channel - Base Side (25.06 In.).....	2
20	01-1P1275-03506	Channel - Base Side (35.06 In.).....	2
21	01-1P1275-04506	Channel - Base Side (45.06 In.).....	2
22	01-1P1275-05506	Channel - Base Side (55.06 In.).....	2
23	01-1P1275-06506	Channel - Base Side (65.06 In.).....	2
24	01-1P1275-07506	Channel - Base Side (75.06 In.).....	2
25	01-1P1275-11506	Channel - Base Side (115.06 In.).....	2
26	01-1P1516-00028	Floor Assy. (28 In.).....	1
27	01-1P1516-00038	Floor Assy. (38 In.).....	1
28	01-1P1516-0048C	Floor Assy. (51.08 In.).....	1
29	01-1P1516-0048R	Floor Assy. (51.08 In.).....	1
30	01-1P1516-0058C	Floor Assy. (61.08 In.).....	1
31	01-1P1516-0058R	Floor Assy. (61.08 In.).....	1
32	01-1P1516-0068C	Floor Assy. (71.08 In.).....	1
33	01-1P1516-0068R	Floor Assy. (71.08 In.).....	1
34	01-1P1516-0078C	Floor Assy. (81.08 In.).....	1
35	01-1P1516-0078R	Floor Assy. (81.08 In.).....	1
36	01-1P1516-0118C	Floor Assy. (121.08 In.).....	1
37	01-1P1516-0118R	Floor Assy. (121.08 In.).....	1
38	01-1000V4-00073	Anchor - Drop-In 1/4-20.....	AR
39	01-1000V4-00221	Mach. Screw 1/4-20 x 1/2 Phil. Flat Hd. (SST).....	AR
40	01-1000V4-00222	Mach. Screw 1/4-20 x 3/4 Phil. Flat Hd. (SST).....	AR
41	01-1000V4-00223	Mach. Screw 1/4-20 x 1 Phil. Flat Hd. (SST).....	AR
42	01-1000V4-0073A	Tool - Setting.....	1
43	01-1P1509-00005	Jamb - Outer (Right Side).....	1
44	01-1P1334-00001	Socket - Extender Assy.....	1
45	01-1000V4-00102	Screw - Gimlet Point Hex Hd.....	AR
46	01-100V15-00065	Plug - Modified.....	10
47	01-1P1238-00003	Header.....	1
48	01-100V15-00065	Plug - Modified.....	1
49	01-1P1509-00003	Jamb - Outer (Left Side).....	1
50	01-1P1348-00003	Filler - Ceiling.....	1
51	01-1000V5-00143	Bushing - Snap 5/8.....	1
52	01-1000V5-00035	Bushing - Snap (1 In.).....	2
53	01-1000V5-00035	Bushing - Snap (1 In.).....	2
54	01-1000V5-00143	Bushing - Snap 5/8.....	1
55	01-100V17-00313	Elbow.....	1
56	01-100V17-00326	Fitting 5/8 COMP x 1/2 NPTM.....	2
57	01-000V17-00102	Tubing Copper 5/8 O.D.....	AR



SINGLE DOOR

SINGLE DOOR

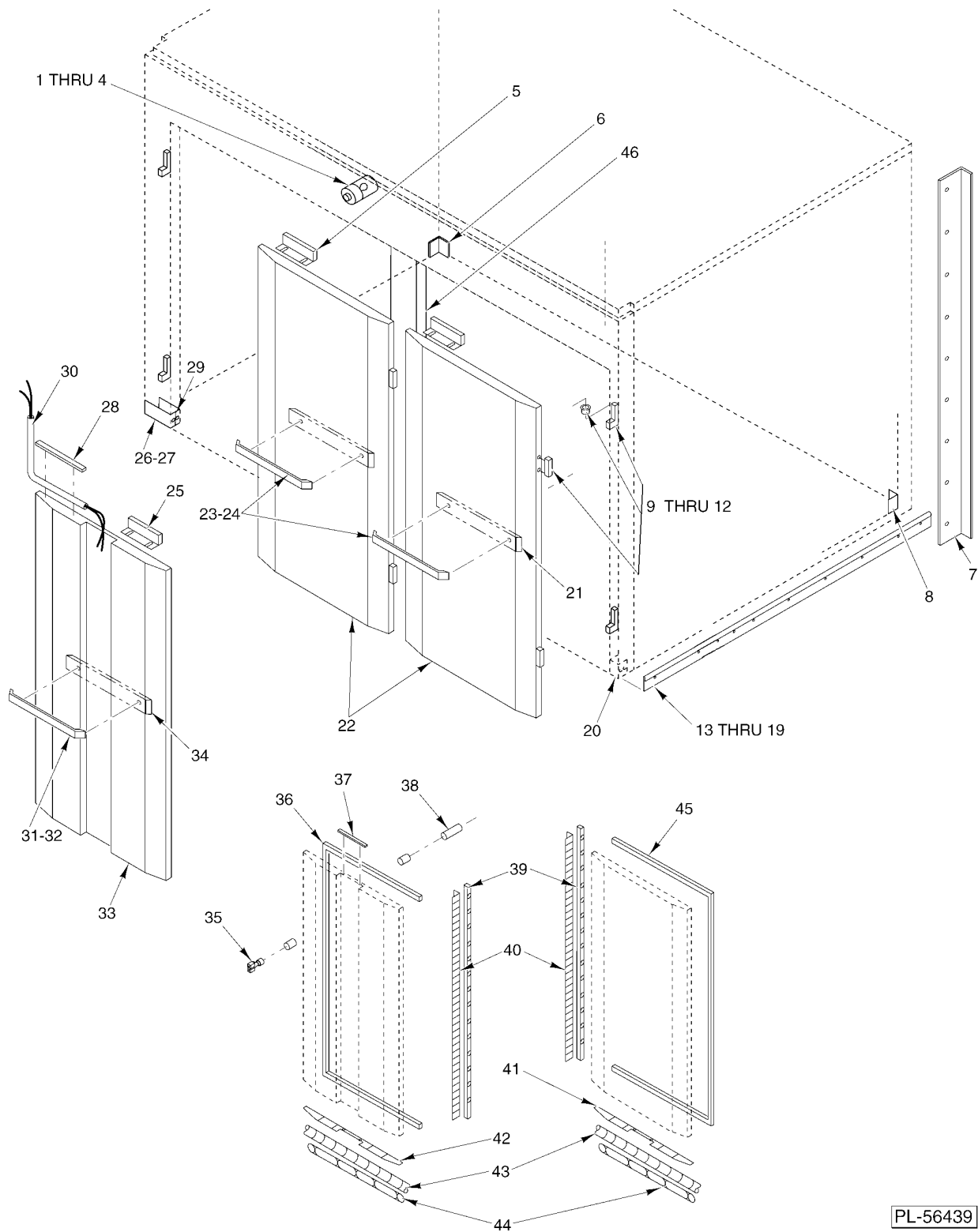
ILLUS.	PART NO.	NAME OF PART	AMT.
PL-56437			
1	01-1P1384-00001	Conduit - Wire (W/RH Door Hinge - Option).....	1
2	01-1P1384-00002	Conduit - Wire (W/LH Door Hinge - Standard).....	1
3	01-1P1485-00001	Clamp - Wire Tube Door.....	1
4	01-1P1472-00001	Magnet Assy. - Door.....	1
5	01-1P1521-00102	Harness - Hand Held Temperature Probe (Option).....	1
6	01-100V16-0271A	Gasket - Magnetic.....	1
7	01-1P1486-00001	Angle - Retainer.....	1
8	01-100V10-00146	Probe - Hand Held Temperature (Option).....	1
9	01-1A1965-00001	Hinge Kit - Door (LH) (Std.) (Incls. Items 10, 11, & 12).....	1
10	01-1000V0-00056	Bearing - Flange (Oil Filled).....	2
11	01-1P1507-00001	Hinge Half (Door).....	2
12	01-1P1506-00001	Hinge Half (Jamb).....	2
13	01-1P1366-00001	Light Fixture Assy. (Incls. Items 14, 15, & 16).....	1
14	01-1P1366-00101	Light Fixture.....	1
15	01-1000V7-00021	Bulb - Traffic Signal.....	1
16	01-1000V7-0014G	Globe - Light Fixture.....	1
17	01-1P1294-00001	Cover - Light Hole.....	1
18	01-10P583-00001	Trim - Finish.....	2
19	01-1P1270-00002	Cove - Corner.....	1
20	01-1P1270-00002	Cove - Corner (7.66 In.).....	1
21	01-10P658-00004	Trim - Base (40.50 In.).....	2
22	01-10P658-00005	Trim - Base (50.50 In.).....	2
23	01-10P658-00006	Trim - Base (60.50 In.).....	2
24	01-10P658-00007	Trim - Base (70.50 In.).....	2
25	01-10P658-00008	Trim - Base (80.50 In.).....	2
26	01-10P658-00009	Trim - Base (90.50 In.).....	2
27	01-10P658-00015	Trim - Base (128.82 In.).....	2
28	01-1P1271-00001	Cove - Outer Jamb (2.10 In.).....	2
29	01-1P1496-00001	Bracket - Floor Seal.....	1
30	01-1P1497-00001	Seal - Floor.....	1
31	01-1P1496-00003	Bracket - Floor Seal.....	1
32	01-1P1494-00001	Bumper - Door.....	1
33	01-1P1491-00001	Door (Control).....	1
34	01-1P1498-00001	Handle - Door.....	1
35	01-1000V4-00100	Mach. Screw Flat Hd.....	2
	01-1P1469-00002	Kit - Door Adjustment.....	AR



DOUBLE DOOR

DOUBLE DOOR

ILLUS.	PART NO.	NAME OF PART	AMT.
PL-56438			
1	01-1P1384-00002	Conduit - Wire.....	1
2	01-1P1485-00001	Clamp - Wire Tube (Door).....	3
3	01-1P1366-00001	Light Fixture Assy. (Incls. Items 4, 5, & 6).....	1
4	01-1P1366-00101	Light Fixture.....	1
5	01-1000V7-00021	Bulb - Traffic Signal.....	1
6	01-1000V7-0014G	Globe - Light Fixture.....	2
7	01-1P1471-00001	Magnet Assy. - Door.....	3
8	01-1P1272-00001	Cove - Inner Jamb.....	1
9	01-1P1271-00002	Cove - Outer Jamb.....	1
10	01-1P1494-00001	Bumper - Door.....	1
11	01-1P1498-00001	Handle - Door.....	1
12	01-1000V4-00100	Mach. Screw Flat Hd.....	4
13	01-1P1491-00001	Door (Control).....	1
14	01-1P1498-00001	Handle - Door.....	2
15	01-1000V4-00100	Mach. Screw Flat Hd.....	4
16	01-1P1491-00002	Door (Blank).....	2
17	01-1P1494-00001	Bumper - Door.....	2
18	01-1P1271-00001	Cove - Outer Jamb.....	1
19	01-1A1965-00002	Hinge Kit - Door (Incls. Items 20, 21, & 22).....	1
20	01-1P1507-00001	Hinge Half - Door.....	6
21	01-1P1506-00001	Hinge Half - Jamb.....	6
22	01-1000V0-00056	Bearing - Flanged (Oil Filled Bronze).....	6
23	01-1P1270-00001	Cove - Corner.....	1
24	01-10P658-00004	Trim - Base (40.50 In.).....	2
25	01-10P658-00005	Trim - Base (50.50 In.).....	2
26	01-10P658-00006	Trim - Base (60.50 In.).....	2
27	01-10P658-00007	Trim - Base (70.50 In.).....	2
28	01-10P658-00008	Trim - Base (80.50 In.).....	2
29	01-10P658-00009	Trim - Base (90.50 In.).....	2
30	01-10P658-00015	Trim - Base (128.82 In.).....	2
31	01-1P1270-00001	Cove - Corner.....	1
32	01-10P583-00001	Trim - Finish.....	2
33	01-100V16-0271B	Gasket - Magnetic.....	1
34	01-1P1496-00003	Bracket - Floor Seal.....	2
35	01-1P1497-00001	Seal - Floor.....	2
36	01-1P1496-00001	Bracket - Floor Seal.....	1
37	01-1P1496-00002	Bracket - Floor Seal.....	1
38	01-1P1466-00001	Strip - Silicone Door Seal.....	2
39	01-1P1467-00001	Clamp - Door Strip.....	2
40	01-100V10-00146	Probe - Hand Held Temperature (Option).....	1
41	01-1P1486-00001	Angle - Retainer.....	1
42	01-100V16-0271B	Gasket - Magnetic.....	2
43	01-1P1521-00102	Harness - Hand Held Temperature Probe (Option).....	1
	01-1P1469-00002	Kit - Door Adjustment.....	AR

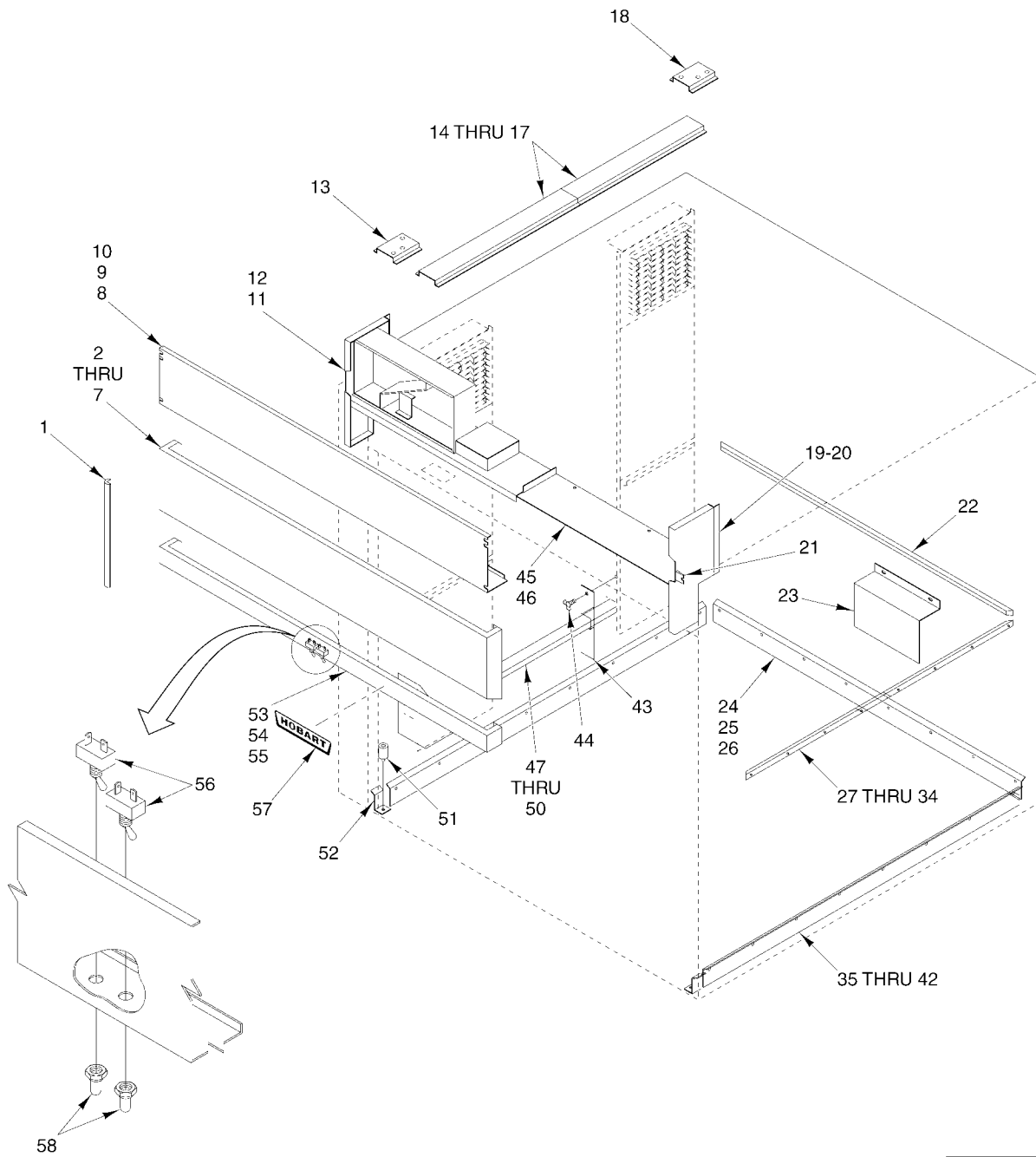


PL-56439

TRIPLE DOOR

TRIPLE DOOR

ILLUS. PL-56439	PART NO.	NAME OF PART	AMT.
1	01-1P1366-00001	Light Fixture Assy. (Incls. Items 2, 3, & 4).....	1
2	01-1P1366-00101	Light Fixture.....	1
3	01-1000V7-00021	Bulb - Traffic Signal.....	1
4	01-1000V7-0014G	Globe - Light Fixture.....	1
5	01-1P1471-00001	Magnet Assy. - Door.....	3
6	01-1P1270-00001	Cove - Corner.....	1
7	01-10P583-00001	Trim - Finish.....	2
8	01-1P1270-00001	Cove - Corner.....	1
9	01-1A1965-00002	Hinge Kit - Door (Incls. Items 10, 11, & 12).....	1
10	01-1P1506-00001	Hinge Half - Jamb.....	6
11	01-1000V0-00056	Bearing - Flanged (Oil Filled Bronze).....	6
12	01-1P1507-00001	Hinge Half - Door.....	6
13	01-10P658-00004	Trim - Base (40.50 In.).....	2
14	01-10P658-00005	Trim - Base (50.50 In.).....	2
15	01-10P658-00006	Trim - Base (60.50 In.).....	2
16	01-10P658-00007	Trim - Base (70.50 In.).....	2
17	01-10P658-00008	Trim - Base (80.50 In.).....	2
18	01-10P658-00009	Trim - Base (90.50 In.).....	2
19	01-10P658-00015	Trim - Base (128.82 In.).....	2
20	01-1P1271-00001	Cove - Outer Jamb.....	1
21	01-1P1494-00001	Bumper - Door.....	2
22	01-1P1491-00002	Door (Blank).....	2
23	01-1P1498-00001	Handle - Door.....	2
24	01-1000V4-00100	Mach. Screw Flat Hd.....	4
25	01-1P1471-00001	Magnet Assy. - Door.....	3
26	01-1P1271-00002	Cove - Outer Jamb.....	1
27	01-1P1271-00003	Cove - Jamb.....	2
28	01-1P1485-00001	Clamp - Wire Tube (Door).....	1
29	01-1P1272-00001	Cove - Inner Jamb.....	1
30	01-1P1384-00002	Conduit - Wire.....	1
31	01-1P1498-00001	Handle - Door.....	1
32	01-1000V4-00100	Mach. Screw Flat Hd.....	2
33	01-1P1491-00001	Door (Control).....	1
34	01-1P1494-00001	Bumper - Door.....	1
35	01-1P1521-00102	Harness - Hand Held Temperature Probe (Option).....	1
36	01-100V16-0271B	Gasket - Magnetic.....	2
37	01-1P1486-00001	Angle - Retainer.....	1
38	01-100V10-00146	Probe - Hand Held Temperature (Option).....	1
39	01-1P1467-00001	Clamp - Door Strip.....	2
40	01-1P1466-00001	Strip - Silicone Door Seal.....	2
41	01-1P1496-00002	Bracket - Floor Seal.....	1
42	01-1P1496-00001	Bracket - Floor Seal.....	1
43	01-1P1497-00001	Seal - Floor.....	2
44	01-1P1496-00003	Bracket - Floor Seal.....	2
45	01-100V16-0271E	Gasket - Magnetic.....	1
46	01-1P1502-00001	Jamb, Center (PC, RP, & RR).....	1
	01-1P1469-00002	Kit - Door Adjustment.....	.AR

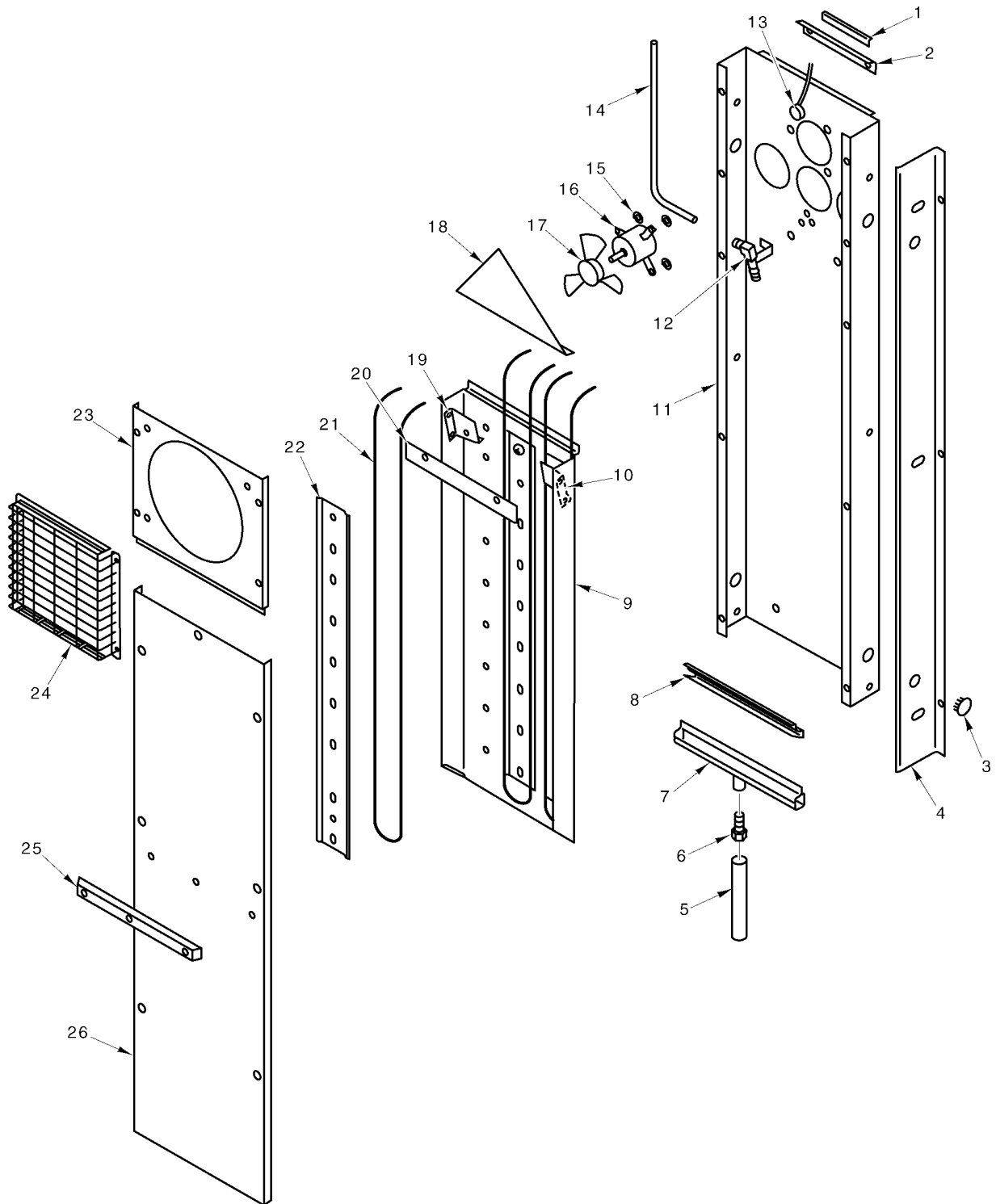


PL-56659

FRONT TRIM AND BUMPER

FRONT TRIM AND BUMPER

ILLUS. PL-56659	PART NO.	NAME OF PART	AMT.
1	01-1P1303-00001	Angle - End (Upper Forward Trim).....	2
2	01-1P1821-00001	Trim - Upper (Single Wide).....	1
3	01-1P1822-00001	Trim - Lower (Single Wide).....	1
4	01-1P1821-00002	Trim - Upper (Double Wide).....	1
5	01-1P1822-00002	Trim - Lower (Double Wide).....	1
6	01-1P1821-00003	Trim - Upper (Triple Wide).....	1
7	01-1P1822-00003	Trim - Lower (Triple Wide).....	1
8	01-1P1821-00101	Trim - Upper Forward (Top) (Single Wide).....	1
9	01-1P1821-00201	Trim - Upper Forward (Top) (Double Wide).....	1
10	01-1P1821-00301	Trim - Upper Forward (Top) (Triple Wide).....	1
11	01-1P1401-00001	Retainer - Upper Forward Trim (LH) (Single Wide).....	1
12	01-1P1400-00001	Retainer - Upper Forward Trim (LH) (Double & Triple Wide).....	1
13	01-1P1438-00001	Section - Hat, Wire Cover.....	1
14	01-1P1439-00001	Section - Hat, Wire Cover (28 In.).....	AR
15	01-1P1439-00002	Section - Hat, Wire Cover (40 In.).....	AR
16	01-1P1439-00003	Section - Hat, Wire Cover (50 In.).....	AR
17	01-1P1439-00004	Section - Hat, Wire Cover (60 In.).....	AR
18	01-1P1438-00002	Section - Hat, Wire Cover.....	1
19	01-1P1401-00002	Retainer - Upper Forward Trim (RH) (Single Wide).....	1
20	01-1P1400-00002	Retainer - Upper Forward Trim (RH) (Double & Triple Wide).....	1
21	01-1P1397-00001	Clamp - Upper Forward Trim.....	2
22	01-1P1330-06200	Bumper - Wall (62 In. Lg.).....	AR
23	01-1P1437-00002	Deflector Assy. - Side (Single Wide).....	1
24	01-1P1273-03206	Trim - Inner (Bottom) (32 In. Lg.) (Single Wide).....	1
25	01-1P1273-07068	Trim - Inner (Bottom) (70.68 In. Lg.) (Double Wide).....	1
26	01-1P1273-11068	Trim - Inner (Bottom) (110.68 In. Lg.) (Triple Wide).....	1
27	01-1P1330-01700	Bumper - Wall (17 In. Lg.).....	AR
28	01-1P1330-02200	Bumper - Wall (22 In. Lg.).....	AR
29	01-1P1330-03200	Bumper - Wall (32 In. Lg.).....	AR
30	01-1P1330-04200	Bumper - Wall (42 In. Lg.).....	AR
31	01-1P1330-05200	Bumper - Wall (52 In. Lg.).....	AR
32	01-1P1330-07200	Bumper - Wall (72 In. Lg.).....	AR
33	01-1P1330-10200	Bumper - Wall (102 In. Lg.).....	AR
34	01-1P1330-11200	Bumper - Wall (112 In. Lg.).....	AR
35	01-1P1273-02512	Trim - Inner (Bottom) (25.12 In. Lg.).....	2
36	01-1P1273-03512	Trim - Inner (Bottom) (35.12 In. Lg.).....	2
37	01-1P1273-04512	Trim - Inner (Bottom) (45.12 In. Lg.).....	2
38	01-1P1273-05512	Trim - Inner (Bottom) (55.12 In. Lg.).....	2
39	01-1P1273-06512	Trim - Inner (Bottom) (65.12 In. Lg.).....	2
40	01-1P1273-07512	Trim - Inner (Bottom) (75.12 In. Lg.).....	2
41	01-1P1273-10512	Trim - Inner (Bottom) (105.12 In. Lg.).....	2
42	01-1P1273-11512	Trim - Inner (Bottom) (115.12 In. Lg.).....	2
43	01-1P1437-00001	Deflector Assy. - Side (Double & Triple Wide).....	2
44	01-1000V4-00011	Thumb Screw - Shoulder 1/4-20 x 1/2.....	2
45	01-1P1378-00002	Cover - Pest Control (Double Wide).....	1
46	01-1P1378-00003	Cover - Pest Control (Triple Wide).....	1
47	01-1P1373-01000	Cover - Drain (10 In.).....	AR
48	01-1P1373-02200	Cover - Drain (22 In.).....	AR
49	01-1P1373-04000	Cover - Drain (40 In.).....	AR
50	01-1P1373-08000	Cover - Drain (80 In.).....	AR
51	01-1000V4-00073	Anchor - Drop-In 1/4-20.....	AR
52	01-1P1274-00001	Angle - Retainer.....	2
53	01-1P1822-00101	Trim - Upper Forward (Bottom) (Single Wide).....	1
54	01-1P1822-00201	Trim - Upper Forward (Bottom) (Double Wide).....	1
55	01-1P1822-00301	Trim - Upper Forward (Bottom) (Triple Wide).....	1
56	01-1000V6-0035F	Switch - Toggle (10 Amp.).....	2
57	01-100V16-531-2	Logo.....	1
58	01-1000V4-00019	Seal Boot - Toggle Switch.....	2

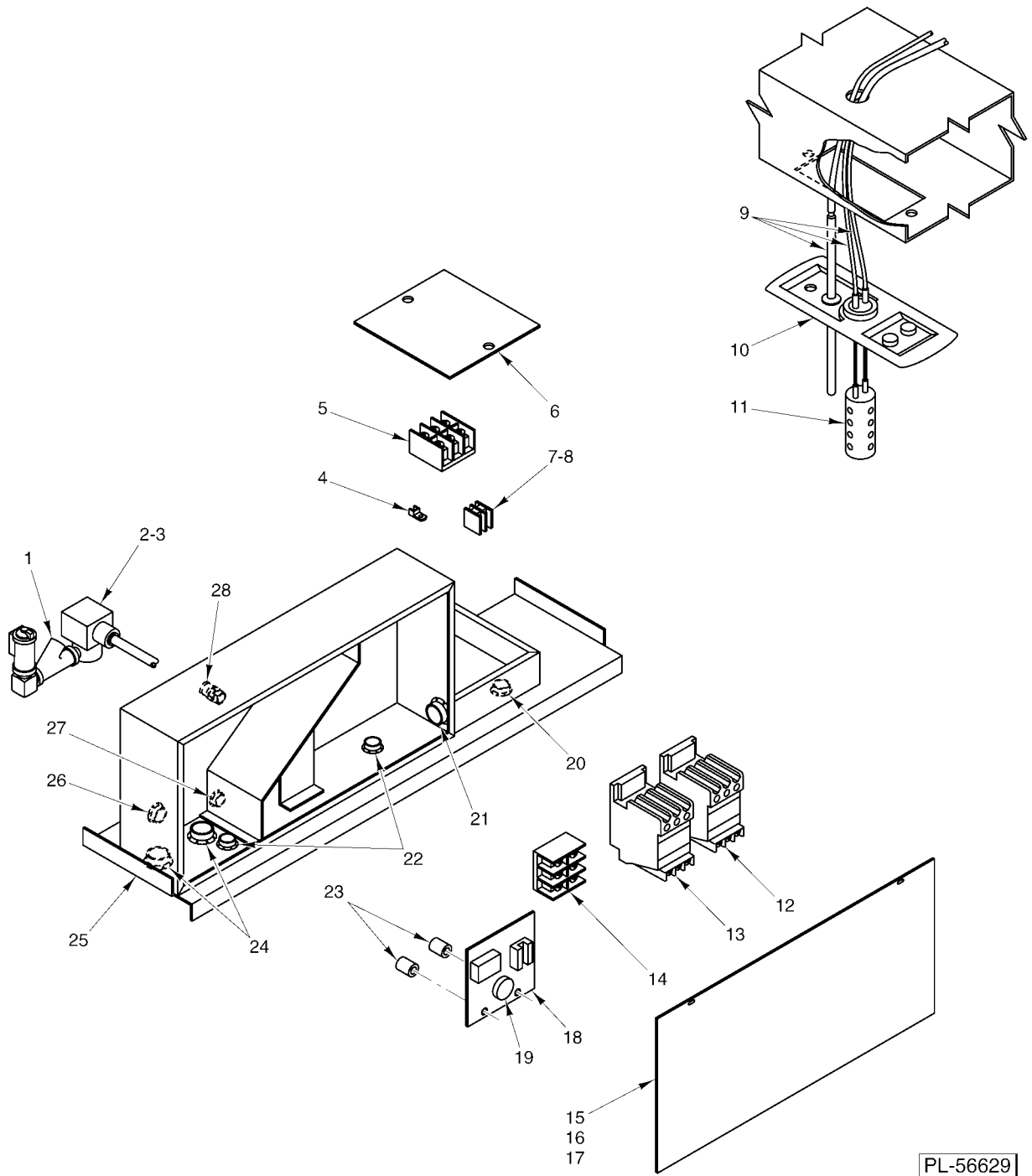


PL-56417

AIR SUPPLY

AIR SUPPLY

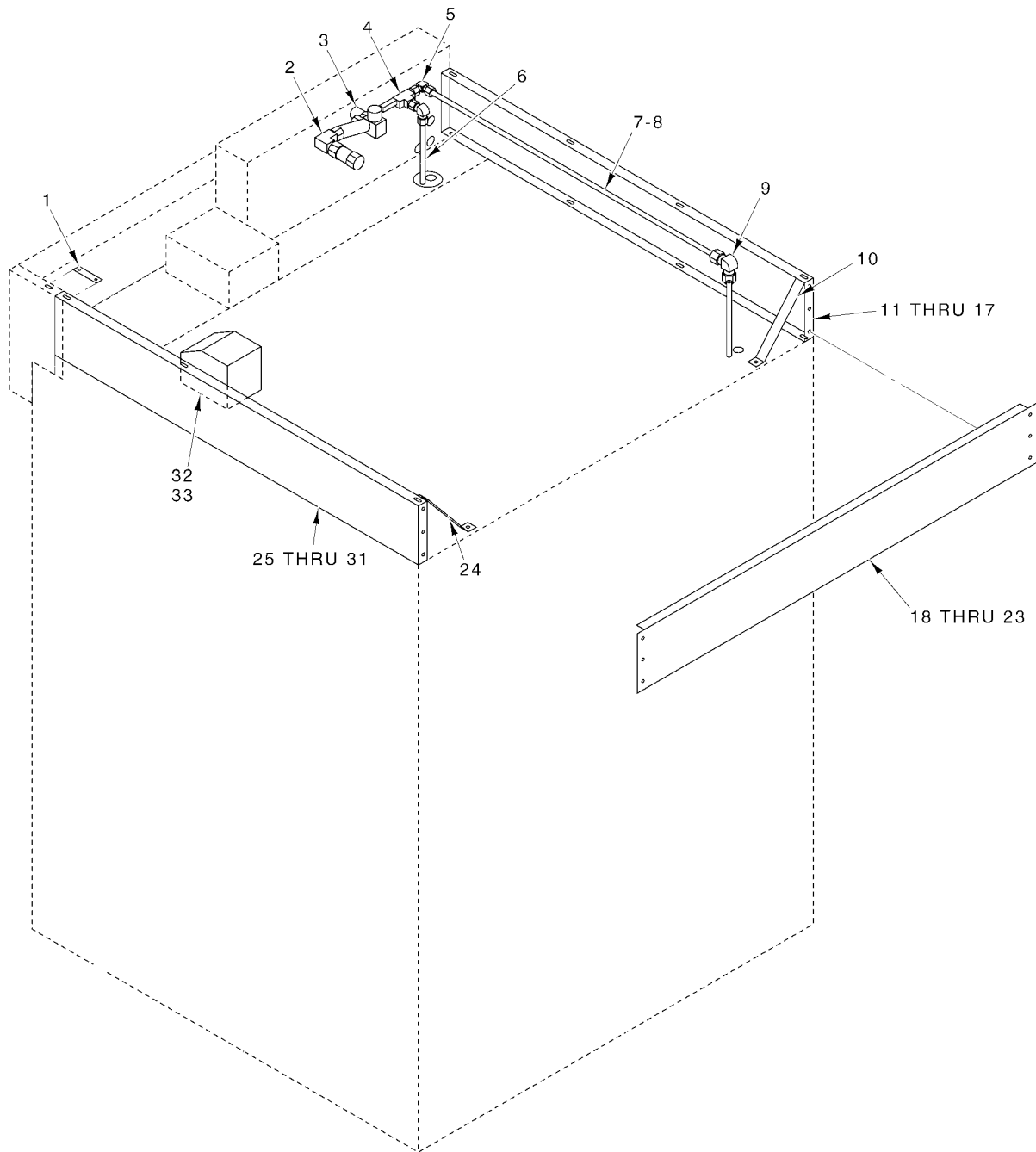
ILLUS.	PART NO.	NAME OF PART	AMT.
PL-56417			
1	01-1P1369-00001	Spacer - Mounting Bracket.....	1
2	01-1P1361-00001	Bracket - Mounting.....	1
3	01-100V15-00047	Plug - Plated.....	2
4	01-1P1360-00001	Side - Air Duct.....	1
5	01-100V17-00102	Tube - Soft Copper.....	AR
6	01-100V17-00326	Fitting - Compression (Brass).....	2
7	01-1P1420-00001	Gutter - Drain Pan.....	1
8	01-1P1478-00001	Screen - Drain.....	1
9	01-1P1424-00001	Plate - Heater.....	1
10	01-1P1427-00001	Bracket - Deflector (RH).....	1
11	01-1P1423-00001	Skin - Base Plate.....	1
12	01-1P1363-00001	Nozzle - Spray.....	1
13	01-1P1425-00101	Switch - Hi-Limit.....	1
14	01-1P1447-00102	Tube - Spray Nozzle.....	1
15	01-100V15-00057	Grommet - Rubber (Black).....	3
16	01-1P1350-00101	Fan Assy.....	1
17	01-1000V8-00061	Blade - Fan.....	1
18	01-1P1428-00001	Deflector.....	1
19	01-1P1427-00002	Bracket - Deflector (LH).....	1
20	01-1P1428-00002	Deflector.....	1
21	01-1P2766-00001	Kit - Element Heating (240 V., 2200 W.).....	3
22	01-1P1195-00001	Clamp - Element.....	3
23	01-1P1359-00001	Cover - Upper.....	1
24	01-100V16-00293	Guard - Fan.....	1
25	01-1P1330-01700	Bumper - Lower Cover.....	1
26	01-1P1187-00001	Skin - Lower Cover.....	1
	01-1P1421-00002	Plumbing - Air Duct (Single Wide).....	1
	01-1P1421-00001	Plumbing - Air Duct (Double & Triple Wide).....	1
	01-1P1426-00001	Air Duct Package.....	1



CONTROL/SERVICE ENTRANCE, THERMISTOR, AND HUMIDITY SENSOR

CONTROL/SERVICE ENTRANCE, THERMISTOR, AND HUMIDITY SENSOR

ILLUS.	PART NO.	NAME OF PART	AMT.
PL-56629			
1	01-1P1374-00101	Solenoid Assy.....	1
2	01-100V17-00075	Valve - Solenoid (2 Way, 120 V.) (Proofer).....	1
3	01-100V24-00006	Valve - Solenoid (Retarder/Proofer).....	1
4	01-1000V5-00037	Lug - Grounding.....	1
5	01-1000V5-00098	Block - Power Distribution.....	1
6	01-1P1457-00001	Cover - Service Entrance.....	1
7	01-1000V5-00105	Terminal Block (Section).....	2
8	01-1000V5-00106	Terminal Block (End).....	1
9	01-1P1408-00001	Harness - Thermistor (Proofer).....	1
10	01-1P1331-00001	Sensor Plate Assy. (Proofer).....	1
11	01-1P1483-00001	Sensor - Humidity, Kit (Proofer).....	1
12	01-1000V6-00185	Contactactor (3 Pole).....	1
13	01-1000V6-00185	Contactactor (3 Pole).....	1
14	01-1000V5-00096	Block - Power Distribution.....	1
15	01-1P1442-00001	Cover Assy. (120/50/60/1, 208-240/50/60/1).....	1
16	01-1P1442-00002	Cover Assy. (120/50/60/1/3, 380-440/50/60/3).....	1
17	01-1P1442-00003	Cover Assy. (208-240/50/60/1, 380-440/440-480/50/60/3).....	1
18	01-1P1214-00003	Board - PC Power Supply Assy.....	1
19	01-1P1749-00001	Beeper Assy.....	1
20	01-1000V5-00035	Bushing - 1 In.....	AR
21	01-1000V5-00073	Bushing - Snap 1 1/2 In.....	1
22	01-1000V5-00035	Bushing - Snap (1 In.).....	AR
23	01-1000V5-00016	Spacer (Nylon).....	4
24	01-1000V5-00073	Bushing - Snap 1 1/2 In.....	2
25	01-1P1448-00001	Box - Control, Weldment.....	1
26	01-1000V5-00035	Bushing - Snap (1 In.).....	AR
27	01-1000V5-00059	Bushing - Snap 7/8.....	1
28	01-100V11-00102	Nipple - Chase.....	1
	01-1P1446-00001	Harness Assy.....	1

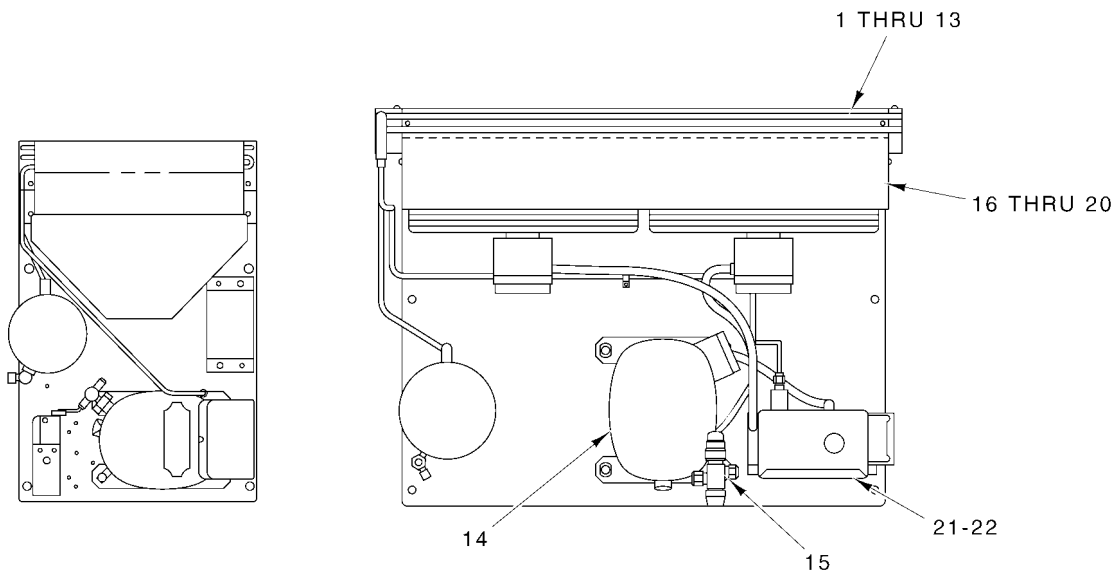


PL-56656

WATER SUPPLY AND UPPER TRIM

WATER SUPPLY AND UPPER TRIM

ILLUS. PL-56656	PART NO.	NAME OF PART	AMT.
1	01-1P1388-00001	Strap - Retainer.....	AR
2	01-1P1374-00101	Solenoid Assy.....	1
3	01-100V17-00075	Valve - Solenoid (2 Way, 120 V.).....	1
4	01-1P1447-00101	Connector - Plumbing.....	1
5	01-100V17-00339	Ell 90 Deg. (Brass).....	1
6	01-1P1447-00102	Tube - Spray Nozzle.....	1
7	01-1P1447-00001	Plumbing Package (Single Wide).....	1
8	01-1P1447-00002	Plumbing Package (Double and Triple Wide).....	1
9	01-100V17-00396	Elbow - Union (Brass).....	1
10	01-1P1460-00001	Support - Upper Trim.....	AR
11	01-1P1386-00002	Trim - Upper Side (26.50 In.).....	1
12	01-1P1386-00003	Trim - Upper Side (38.38 In.).....	1
13	01-1P1386-00004	Trim - Upper Side (48.38 In.).....	1
14	01-1P1386-00005	Trim - Upper Side (58.38 In.).....	1
15	01-1P1386-00006	Trim - Upper Side (68.38 In.).....	1
16	01-1P1386-00007	Trim - Upper Side (78.38 In.).....	1
17	01-1P1386-00011	Trim - Upper Side (118.38 In.).....	1
18	01-1P1385-00001	Trim - Upper Rear (Single Wide).....	1
19	01-1P1385-00002	Trim - Upper Rear (Double Wide).....	1
20	01-1P1385-00003	Trim - Upper Rear (Triple Wide).....	1
21	01-1P1452-00001	Trim - Upper Rear (Single Wide).....	1
22	01-1P1452-00002	Trim - Upper Rear (Double Wide).....	1
23	01-1P1452-00003	Trim - Upper Rear (Triple Wide).....	1
24	01-1P1460-00001	Support - Upper Trim.....	AR
25	01-1P1450-00028	Trim - Upper Side (26.50 In.).....	1
26	01-1P1450-00038	Trim - Upper Side (38.38 In.).....	1
27	01-1P1450-00048	Trim - Upper Side (48.38 In.).....	1
28	01-1P1450-00058	Trim - Upper Side (58.38 In.).....	1
29	01-1P1450-00068	Trim - Upper Side (68.38 In.).....	1
30	01-1P1450-00078	Trim - Upper Side (78.38 In.).....	1
31	01-1P1450-00118	Trim - Upper Side (118.38 In.).....	1
32	01-1P1379-00001	Transformer (0.5 kVA) (ML-132156 thru ML-132167 & ML-132170 thru ML-132174)	1
33	01-1P1379-00002	Transformer (1.0 kVA) (ML-132168, ML-132169, ML-132175, & ML-132176).....	1
	01-100V10-00129	Holder - Fuse.....	2
	01-100V10-00130	Fuse (15 Amp.).....	2



SINGLE FAN UNIT

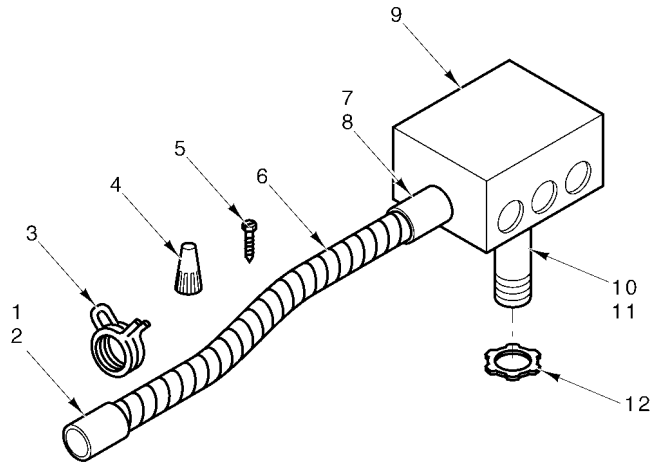
TWO FAN UNIT

PL-57017

**CONDENSER
(R22) (RETARDER/PROOFER)**

**CONDENSER
(R22) (RETARDER/PROOFER)**

ILLUS. PL-57017	PART NO.	NAME OF PART	AMT.
1	01-100V24-0034B	Condenser (24600 BTU) (208-240/60/3).....	1
2	01-100V24-0034A	Condenser (24600 BTU) (208-240/60/1).....	1
3	01-100V24-0033C	Condenser (16200 BTU) (440-480/60/3).....	1
4	01-100V24-0033D	Condenser (16200 BTU) (208-240/60/3).....	1
5	01-100V24-0033A	Condenser (16200 BTU) (208-240/60/1).....	1
6	01-100V24-0032C	Condenser (12100 BTU) (440-480/60/3).....	1
7	01-100V24-0032B	Condenser (12100 BTU) (208-240/60/3).....	1
8	01-100V24-0032A	Condenser (12100 BTU) (208-230/60/1).....	1
9	01-100V24-0031E	Condenser (8580 BTU) (460/60/3).....	1
10	01-100V24-0031D	Condenser (8580 BTU) (208-230/60/3).....	1
11	01-100V24-0031A	Condenser (8580 BTU) (208-230/60/1).....	1
12	01-100V24-0030C	Condenser (6250 BTU) (208-230/60/1).....	1
13	01-100V24-0030A	Condenser (6250 BTU) (115/60/1).....	1
14	01-100V24-00005	Drier - Filter.....	1
15	01-100V24-00004	Indicator - Moisture and Liquid.....	1
16	01-100V24-00036	Evaporator (ML-132209 thru ML-132215, ML-132224, & ML-132225).....	AR
17	01-100V24-0012A	Evaporator (Elec. Codes JB, JD, & JG) (ML-132230).....	AR
18	01-100V24-0012B	Evaporator (Elec. Codes JC, JE, & JF) (ML-132230).....	AR
19	01-100V24-0027A	Evaporator (Elec. Codes JB, JD, & JG) (ML-132226 thru ML-132229).....	AR
20	01-100V24-0027B	Evaporator (Elec. Codes JC, JE, & JF) (ML-132226 thru ML-132229).....	AR
21	01-1P1379-00003	Transformer (ML-132209 thru ML-132214 & ML-132224 thru ML-132228).....	1
22	01-1P1379-00004	Transformer (ML-132215, ML-132229, & ML-132230).....	1
	01-100V24-00007	Valve - Expansion (ML-132226 thru ML-132230).....	1
	01-100V24-00017	Valve - Expansion (ML-132209 thru ML-132215, ML-132224, & ML-132225).....	1
	01-100V24-00018	Valve - Expansion (ML-132209 thru ML-132215 & ML-132224 thru ML-132229).....	1
	01-100V24-00020	Valve - Expansion (ML-132209 thru ML-132215, ML-132224, & ML-132225).....	1
	01-100V24-00021	Valve - Expansion (ML-132226 thru ML-132229).....	1
	01-100V24-00023	Valve - Expansion (ML-132230).....	1
	01-1P2046-00001	Evaporator Drain Package (Single Evaporator).....	1
	01-1P2046-00002	Evaporator Drain Package (Dual Evaporator).....	1



PL-57016

REFRIGERATION FLEX CONDUIT (RETARDER/PROOFER)

REFRIGERATION FLEX CONDUIT (RETARDER/PROOFER)

ILLUS.	PART NO.	NAME OF PART	AMT.
PL-57016			
1	01-100V11-00076	Bushing, Anti-Short (Plastic).....	1
2	01-100V11-0030B	Connector - Conduit 3/8 In. Straight.....	1
3	01-100V11-00141	Clamp - Conduit.....	AR
4	01-1000V5-00015	Nut - Wire (Orange).....	2
5	01-1000V4-00009	Screw - Sheet Metal, Hex Hd.....	AR
6	01-100V11-0034A	Conduit - Flex-Steel 3/8 In. Dia.....	AR
7	01-100V11-00076	Bushing, Anti-Short (Plastic).....	1
8	01-100V11-0030B	Connector - Conduit 3/8 In. Straight.....	1
9	01-100V11-0024A	Box, J 2 x 4 x 2 (With Cover).....	2
10	01-100V11-00169	Bushing (Steel).....	1
11	01-10A981-00350	Nipple 1/2 NPT, 3.5 In. Lg.....	1
12	01-100V11-0033A	Locknut - Conduit 1/2 In.....	2
	01-1P1327-04800	Conduit - Flex(Incls. Items 1-12)(ML's 132209 thru 132215,132224 thru 132227, 132230).....	1
	01-1P1327-08400	Conduit - Flex (Incls. Items 1 thru 12) (ML-132228 & ML-132229).....	1
	01-1P1327-09600	Conduit - Flex (Incls. Items 1 thru 8)(ML-132210 thru 132214, 132224 thru 132227)	1
	01-1P1327-14400	Conduit - Flex (Incls. Items 1 thru 8) (ML-132230).....	1

