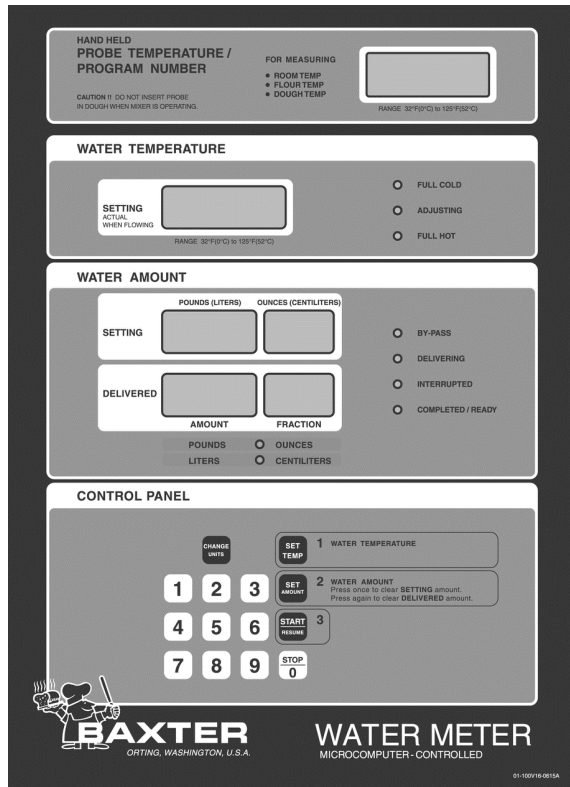




CATALOG OF REPLACEMENT PARTS



WATER METERS

ML-132120 SP600W

3/1/01 to 1/3/05 Standard Controls
1/3/05 to 10/6/09 Advanced Controls

ML-132392 SP600WC

1/3/05 to 10/6/09 Advanced Controls

ML-132179 HWM

3/1/01 to 1/3/05 Standard Controls
1/3/05 to 10/6/09 Advanced Controls

ML-132393 HVMC

1/3/05 to 10/6/09 Advanced Controls

ML-132392 WM600

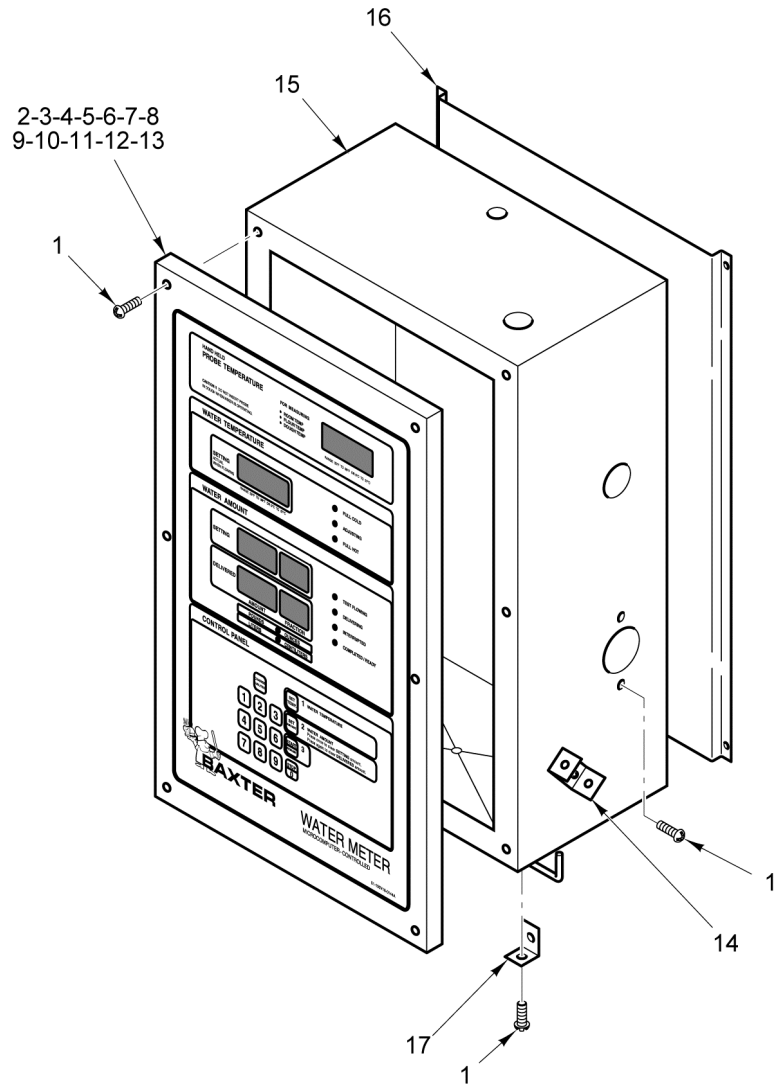
After 10/6/09 Advanced Controls

ML-132393 WM600C

After 10/6/09 Advanced Controls

Table of Contents

5	WATER METER COVER
7	WATER METER PIPING
9	ELECTRICAL COMPONENTS (ML-132120 & ML-132179)(BEFORE 1/3/05)
11	ELECTRICAL COMPONENTS (AFTER 1/3/05) (ML-132120, ML-132179, ML-132392, & ML-132393)



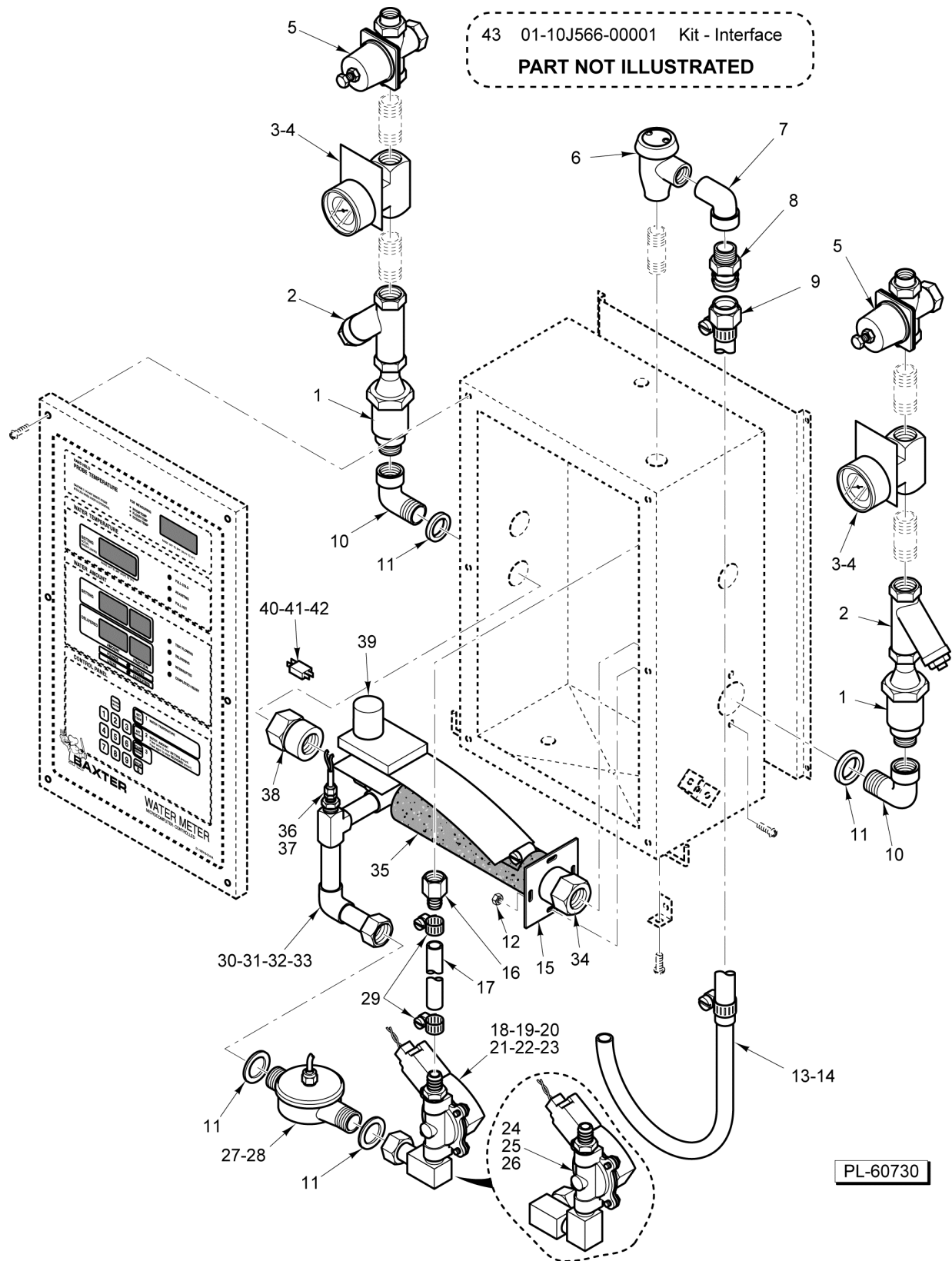
PL-57732

WATER METER COVER

WATER METER COVER

ILLUS. PL-57732	PART NO.	NAME OF PART	AMT.
1		Mach. Screw 10-32 x 1/2 Truss Hd.....	AR
*2	01-10J410-00003	Cover - Water Meter Assy. (W/O Chiller) (Unbranded) (Incls. PCB, Overlay, & Keypad)	1
*3	01-10J410-00006	Cover - Water Meter Assy. (W/Chiller) (Unbranded) (Incls. PCB, Overlay, & Keypad)	1
*4	01-100V16-0144H	Label - Overlay (Unbranded) (Can be used on Baxter or Hobart Units).....	1
**5	01-10J410-00009	Cover - Water Meter Assy. (Baxter) (Incls. PCB & Overlay with Keypad).....	1
**6	01-10J410-00010	NLA - Obsolete--Cover - Water Meter Assy. (Dunkin Donuts) (ML-132392) (Dunkin Donuts) (Incls. PCB & Overlay with Keypad).....	1
**7	01-10J410-00011	Cover - Water Meter Assy. (Hobart) (Incls. PCB & Overlay with Keypad).....	1
**8	01-100V16-0615H	Label - Overlay (Hobart).....	1
**9	01-100V16-0615A	Label - Overlay (Baxter).....	1
**10	01-100V16-0615B	Label - Overlay (Dunkin Donuts).....	1
**11	01-100V16-00621	PCB Assy.....	1
*12	01-10J459-00001	Key Pad Replacement Assy.....	1
13	01-1000V5-00274	Cable - Adapter (Use with Item 12 on old style Key Pad).....	1
14	01-10J386-00001	Bracket (Temperature Probe Holder).....	AR
15	01-10J407-00001	Box - Weldment (Complete).....	1
16	01-10J318-00001	Bracket - Mounting.....	1
17	01-10J351-00001	Clip - Mount.....	1

* (Units Built Before 1/3/05 Including ML-132120 & ML-132179)
 ** (Units Built After 1/3/05 Including ML-132120, ML-132179, ML-132392 & ML-132393)



WATER METER PIPING

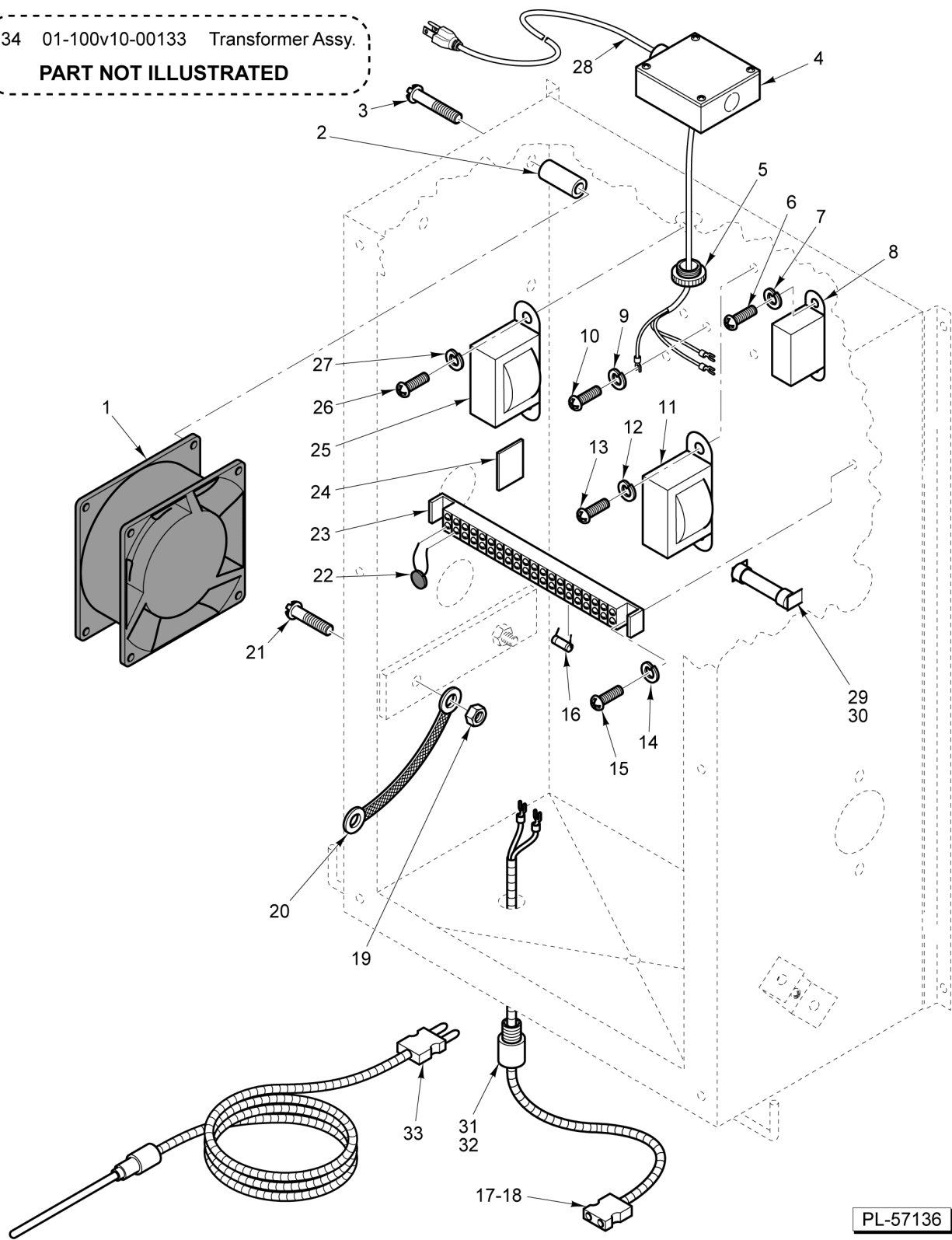
PL-60730

WATER METER PIPING

ILLUS.	PART NO.	NAME OF PART	AMT.
PL-60730			
1	01-100V17-00349	Valve - Dual Check.....	2
2	01-100V17-00275	Strainer (Y).....	2
3	01-10J385-00001	Pressure Gauge & Tee Assy.....	2
4	01-100V17-00204	Gauge - Pressure 1/4 NPTM (0-100 PSI).....	2
5	01-100V17-00330	Regulator - Pressure 1/2 NPT.....	2
6	01-100V17-00333	Vacuum Breaker.....	1
7	01-100V17-00322	Elbow Street (Brass).....	1
8	01-100V17-00493	NLA - Obsolete--Coupler - Quick Disconnect (1/2 Male).....	1
9	01-100V17-00494	Coupler - Quick Disconnect (1/2 Female).....	1
10	01-100V17-00352	Elbow 3/4 Street (Brass).....	2
11	01-100V16-00155	Washer - Fiber.....	4
12		Nut 10-32 Hex Nylock.....	2
13	01-10J343-00001	Hose - Dispensing (8 Ft.) (Standard).....	1
14	01-10J343-00002	Hose - Dispensing (20 Ft.) (Optional).....	1
15	01-10J421-00001	Plate - Anti-Rotation.....	1
16	01-100V17-00338	NLA - Obsolete--Fitting - Barb Hose 1/2 x 5/8 (Brass).....	1
17	01-100V17-00320	Hose 5/8 Braided (Approx. 9-1/2 Lg.) (Sold Per Foot).....	1
*18	01-10J423-00004	Solenoid Pipe Assy. (W/O Chiller) (Nut & Union).....	1
*19	01-10J423-00005	Solenoid Pipe Assy. (W/Chiller) (Nut & Union).....	1
**20	01-10J423-00007	Solenoid Pipe Assy. (Units Built 1/3/05 thru 10/6/14).....	1
**21	01-10J423-00008	Solenoid Pipe Assy. (Units Built 1/3/05 thru 10/6/14).....	1
22	01-10J423-00018	Solenoid Pipe Assy. (Units Built After 10/6/14).....	1
**23	01-10J423-00010	Solenoid Pipe Assy. (Units Built After 10/6/14).....	1
*24	01-10J423-00006	Solenoid Pipe Assy. (W/Chiller) (Union & Male Half).....	1
25	00-749874-00001	Solenoid (1/4) (Units Built After 3/15/01).....	AR
26	01-100V17-00274	Valve - Solenoid Water (2-Way) (120 V.) (1/2 In.) (Units Built Before 3/15/01).....	AR
*27	01-10J460-00001	Sensor - Flow Assy.....	1
**28	01-10J460-00002	Sensor - Flow Assy.....	1
29	01-1000V1-00033	Clamp - Band.....	2
*30	01-10J422-00001	Mixer Valve Pipe Assy. (W/O Chiller).....	1
*31	01-10J422-00002	Mixer Valve Pipe Assy. (W/Chiller).....	1
**32	01-10J422-00003	Mixer Valve Pipe Assy. (Units Built 1/3/05 thru 10/6/14).....	1
33	01-10J422-00004	Mixer Valve Pipe Assy. (Units Built After 10/6/14).....	1
34	01-10J420-00001	NLA - Obsolete--Tailpiece (RH).....	1
35	01-10J405-00001	NLA - Obsolete--Insulator - Pipe.....	1
*36	01-10J422-00101	Probe - Temperature (Internal).....	1
**37	01-10J422-00102	NLA - Obsolete--Probe - Temperature (Internal) (ML-132392).....	1
38	01-10J419-00001	NLA - Obsolete--Tailpiece (LH).....	1
39	01-1000V8-00059	Gear - Motor (12 VDC) (45 RPM).....	1
40	01-10J592-00001	Switch Plate Assy. (Incls. Item 42) (Units Built Before 10/6/14).....	1
41	01-10J592-00002	Switch Plate Assy. (Incls. Item 42) (Units Built After 10/6/14).....	1
42	01-10J429-00001	Switch Assy.....	2
43	01-10J566-00001	NLA - Obsolete--Kit - Interface (W/Chiller).....	1

* (Units Built Before 1/3/05 Including ML-132120 & ML-132179)
 ** (Units Built After 1/3/05 Including ML-132120, ML-132179, ML-132392 & ML-132393)

34 01-100v10-00133 Transformer Assy.
PART NOT ILLUSTRATED



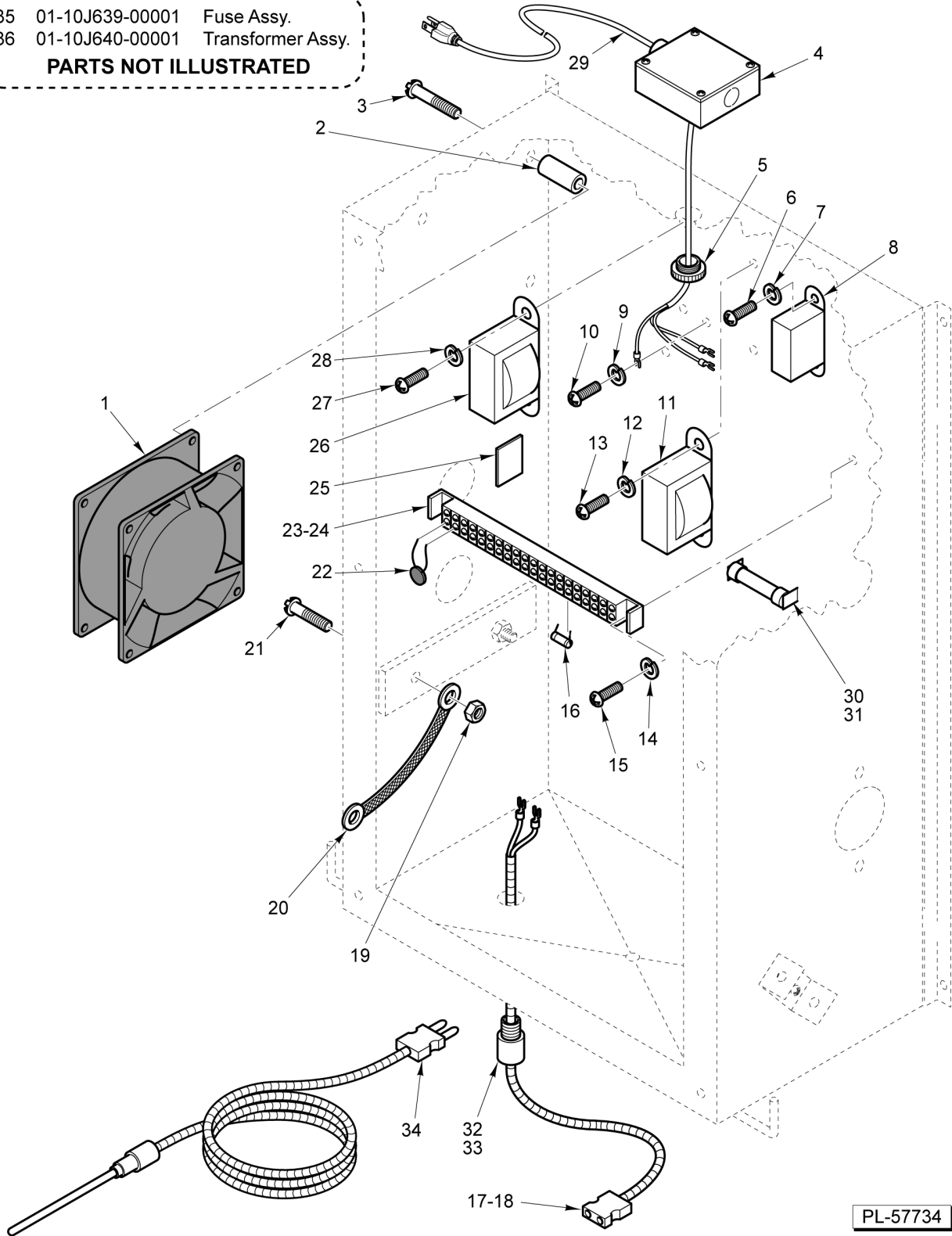
**ELECTRICAL COMPONENTS
(ML-132120 & ML-132179)(BEFORE 1/3/05)**

PL-57136

**ELECTRICAL COMPONENTS
(ML-132120 & ML-132179)(BEFORE 1/3/05)**

ILLUS. PL-57136	PART NO.	NAME OF PART	AMT.
1	01-10J446-00001	Fan.....	1
2	01-1000V5-00160	Spacer - Nylon.....	3
3		Mach. Screw 10-32 x 3/4 Truss Hd.....	3
4	01-10J595-00001	NLA - Obsolete--Box - Junction.....	1
5	01-100V11-00102	Pipe - Bushed Chase (1/2 NPT).....	1
6		Mach. Screw 6-32 x 1/2 Rd. Hd.....	2
7		Lockwasher.....	2
8	01-10J395-00001	Relay Assy.....	1
9		Lockwasher.....	1
10		Mach. Screw 6-32 x 1/2 Rd. Hd.....	1
11	01-100V10-00110	Transformer - Primary.....	1
12		Lockwasher.....	2
13		Mach. Screw 6-32 x 1/2 Rd. Hd.....	2
14		Lockwasher.....	2
15		Mach. Screw 6-32 x 1/2 Rd. Hd.....	2
16	01-100V23-00R93	Resistor.....	1
17	01-10J581-00001	NLA - Obsolete--Thermistor - Extension Cord (Bottom).....	1
18	01-10J581-00002	Thermistor - Extension Cord (Side).....	1
19		Nut 1/4-20 Hex Nylock.....	2
20	01-10J444-00001	Strap - Ground.....	1
21		Mach. Screw 1/4-20 x 1/2 Truss Hd.....	2
22	01-10J631-00001	Suppressor.....	1
23	01-1000V5-00112	Terminal Block.....	1
24	01-1000V5-00023	Pad - Mounting.....	2
25	01-100V10-00110	Transformer - Primary.....	1
26		Mach. Screw 6-32 x 1/2 Rd. Hd.....	2
27		Lockwasher.....	2
28	01-10J580-00001	NLA - Obsolete--Cord - Power.....	1
29	01-100V10-00232	Fuse Holder (30 Amp.).....	1
30	01-100V10-00241	Fuse (1/2 Amp.).....	1
31	01-100V11-00079	Relief - Strain (1/2 Straight).....	1
32	01-100V11-00051	Relief - Strain (1/2 x 90 Deg.).....	1
33	01-100V10-00097	Probe - Temperature.....	1
34	01-100V10-00133	NLA - Obsolete--Transformer Assy. (External) (220 V. Primary to 115 V. Secondary)	1

- 35 01-10J639-00001 Fuse Assy.
 36 01-10J640-00001 Transformer Assy.
PARTS NOT ILLUSTRATED



PL-57734

**ELECTRICAL COMPONENTS
 (AFTER 1/3/05)
 (ML-132120, ML-132179, ML-132392, & ML-132393)**

**ELECTRICAL COMPONENTS
(AFTER 1/3/05)
(ML-132120, ML-132179, ML-132392, & ML-132393)**

ILLUS. PL-57734	PART NO.	NAME OF PART	AMT.
1	01-10J446-00002	Fan.....	1
2	01-1000V5-00160	Spacer - Nylon.....	3
3		Mach. Screw 10-32 x 3/4 Truss Hd.....	3
4	01-10J595-00002	NLA - Obsolete--Box - Junction.....	1
5	01-100V11-00102	Pipe - Bushed Chase (1/2 NPT).....	1
6		Mach. Screw 6-32 x 1/2 Rd. Hd.....	2
7		Lockwasher.....	2
8	01-10J395-00002	NLA - Obsolete--Relay Assy.....	1
9		Lockwasher.....	1
10		Mach. Screw 6-32 x 1/2 Rd. Hd.....	1
11	01-100V10-00231	Transformer - Primary.....	1
12		Lockwasher.....	2
13		Mach. Screw 6-32 x 1/2 Rd. Hd.....	2
14		Lockwasher.....	2
15		Mach. Screw 6-32 x 1/2 Rd. Hd.....	2
16	01-100V23-00R93	Resistor.....	1
17	01-10J581-00003	Thermistor - Extension Cord (Bottom).....	1
18	01-10J581-00004	NLA - Obsolete--Thermistor - Extension Cord (Side).....	1
19		Nut 1/4-20 Hex Nylock.....	2
20	01-10J444-00001	Strap - Ground.....	1
21		Mach. Screw 1/4-20 x 1/2 Truss Hd.....	2
22	01-100V23-00SU1	Suppressor.....	1
23	01-1000V5-00105	Strip - Terminal.....	20
24	01-1000V5-00106	Strip End - Terminal.....	1
25	01-1000V5-00023	Pad - Mounting.....	2
26	01-100V10-00231	Transformer - Primary.....	1
27		Mach. Screw 6-32 x 1/2 Rd. Hd.....	2
28		Lockwasher.....	2
29	01-10J580-00002	Cord - Power.....	1
30	01-100V10-00232	Fuse Holder (30 Amp.).....	1
31	01-100V10-00241	Fuse (1/2 Amp.).....	1
32	01-100V11-00079	Relief - Strain (1/2 Straight).....	1
33	01-100V11-00051	Relief - Strain (1/2 x 90 Deg.).....	1
34	01-100V10-00097	Probe - Temperature.....	1
35	01-10J639-00001	Fuse Assy.....	1
36	01-10J640-00001	NLA - Obsolete--Transformer Assy. (External) (220 V. Primary to 115 V. Secondary)	1

