



# CATALOG OF REPLACEMENT PARTS

## BXP SERIES PROOFER

### MODEL BXP1

ML-132309  
ML-132310  
ML-132311  
ML-132312  
ML-132313  
ML-132314

### MODEL BXP2

ML-132315  
ML-132316  
ML-132317  
ML-132318  
ML-132319  
ML-132320

### MODEL BXP1<sup>1/2</sup>

ML-132321  
ML-132322  
ML-132323  
ML-132324

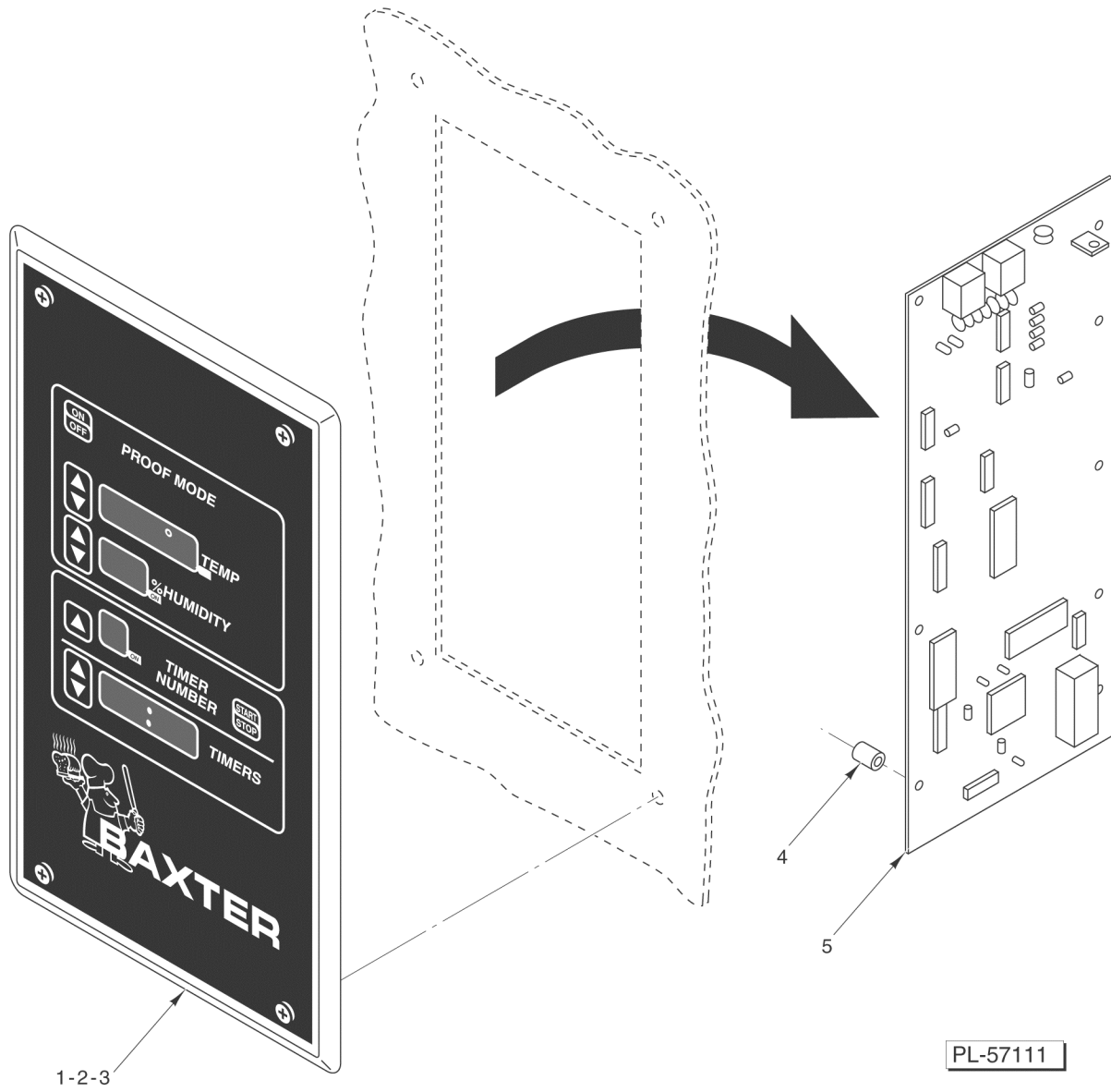
### MODEL BXP2<sup>1/2</sup>

ML-132325  
ML-132326  
ML-132327  
ML-132328  
ML-132329  
ML-132330



**Table of Contents**

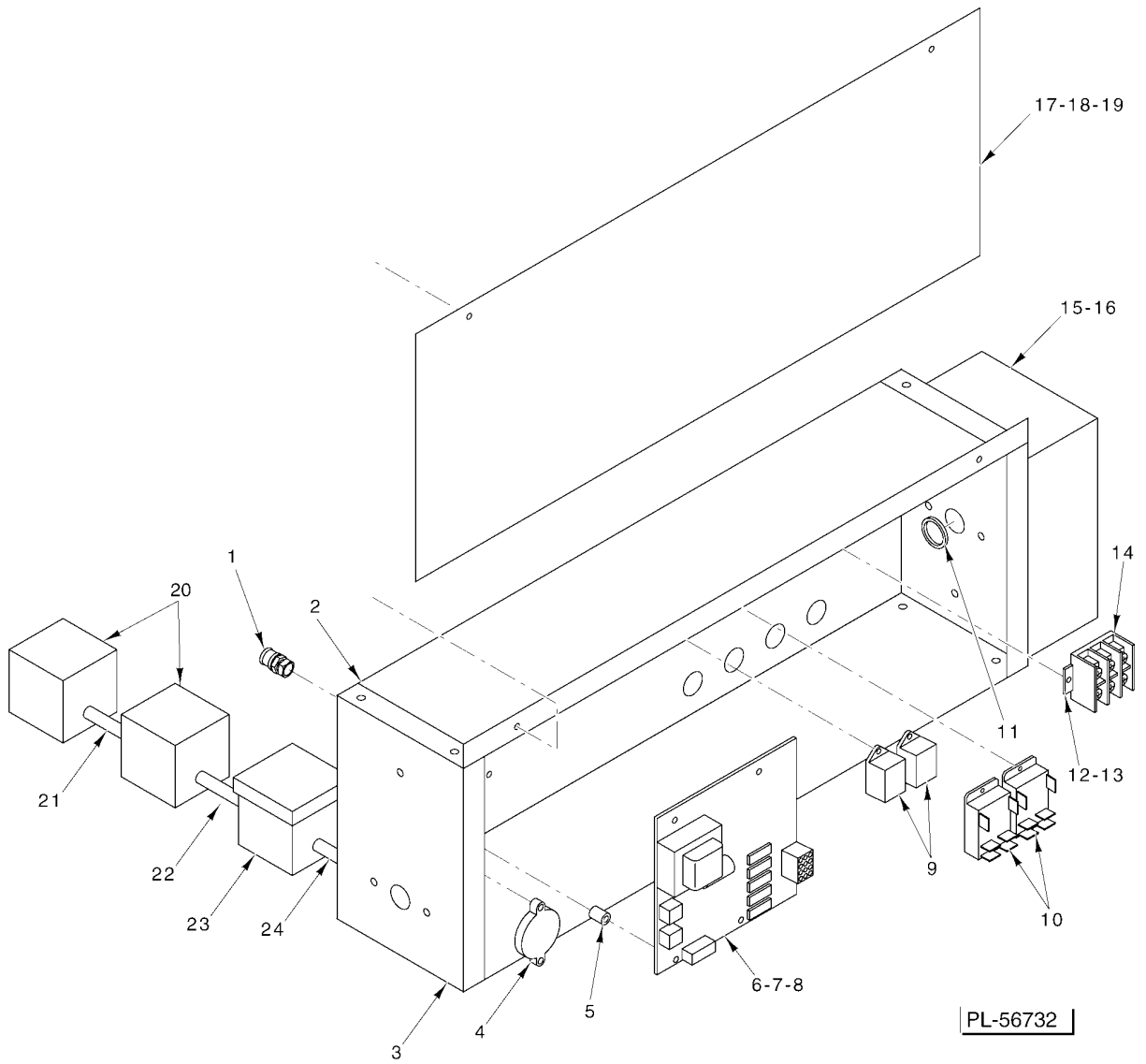
|    |                           |
|----|---------------------------|
| 5  | CONTROL PANEL             |
| 7  | CONTROL BOX               |
| 9  | SINGLE WIDE CABINET       |
| 11 | DOUBLE WIDE CABINET       |
| 13 | SINGLE DOOR ASSEMBLY      |
| 15 | DOUBLE DOOR ASSEMBLY      |
| 17 | TRIM AND INTERIOR BUMPERS |
| 19 | STEAM UNIT                |
| 21 | DRAIN ASSEMBLY            |
| 23 | EXTERIOR WATER SUPPLY     |



**CONTROL PANEL**

**CONTROL PANEL**

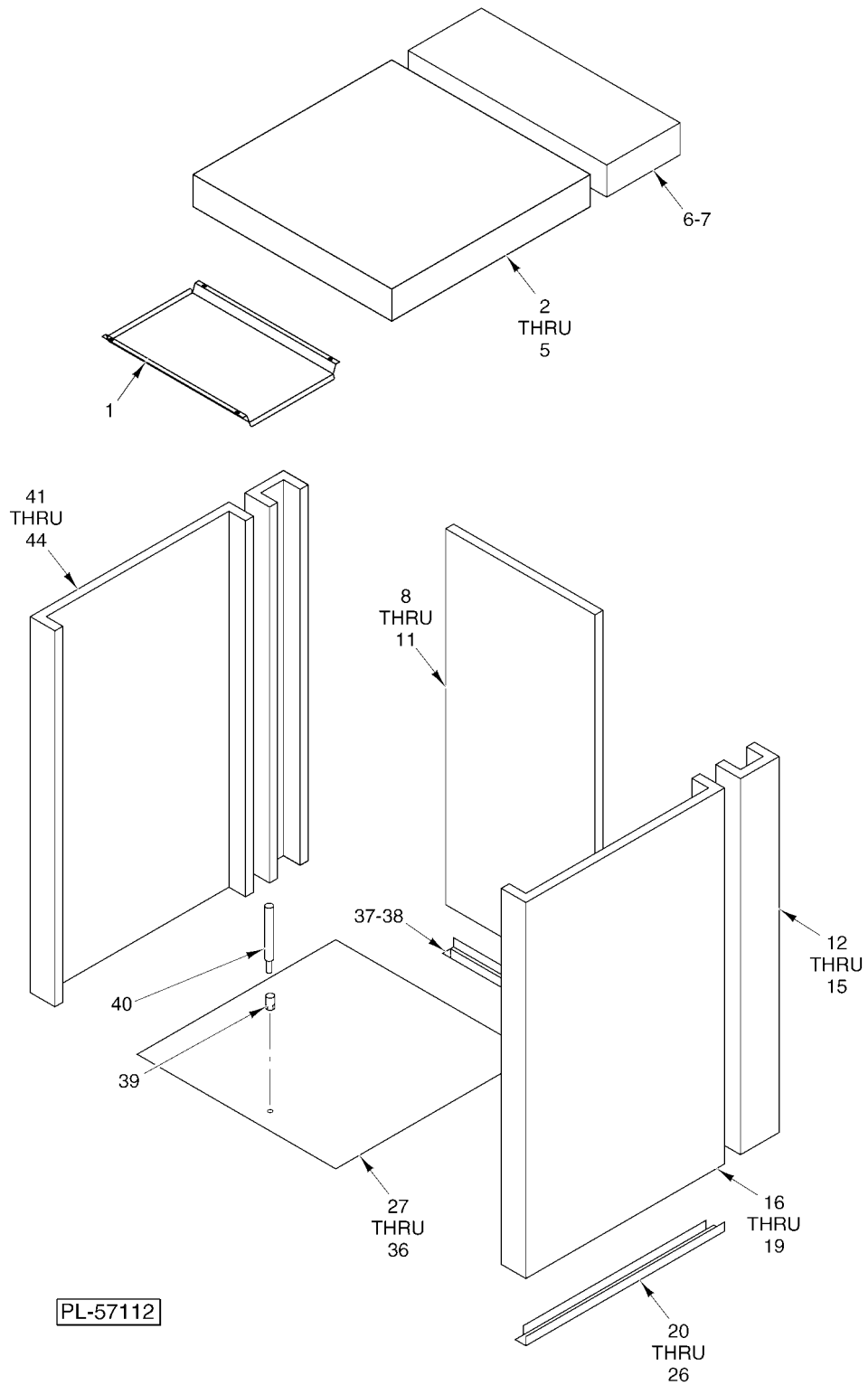
| ILLUS.<br>PL-57111 | PART NO.        | NAME OF PART  | AMT. |
|--------------------|-----------------|---|------|
| 1                  | 01-1P1854-00002 | Panel - Control (Incls. Items 3, 4, & 5).....                     | 1    |
| 2                  | 01-1P2024-00201 | Plate - Control Panel (Blank) (Pass Thru) (Not Shown).....        | 1    |
| 3                  | 01-100V21-00092 | Gasket - 4 Ft. Required.....                                      | AR   |
| 4                  | 01-1M3001-00003 | Spacer - PC Board.....  | 8    |
| 5                  | 01-1P1255-00005 | Board - PC Control.....   | 1    |
|                    | 01-1P2024-00002 | Plate Assy. - Control Panel (Pass Thru) (Incls. Items 2 & 3)..... | 1    |



**CONTROL BOX**

**CONTROL BOX**

| ILLUS.    | PART NO.        | NAME OF PART                                 | AMT. |
|-----------|-----------------|--|------|
| PL-56732A |                 |  |      |
| 1         | 01-100V11-00102 | Pipe - Bushed Chase (1/2 NPT).....           | 1    |
| 2         | 01-1P2025-00001 | Box - Component.....                         | 1    |
| 3         | 01-1P2026-00001 | Panel - Side Component Box.....              | 2    |
| 4         | 01-1P1749-00001 | Beeper Assy.....                             | 1    |
| 5         | 01-1000V5-00164 | Spacer.....                                  | 4    |
| 6         | 01-1P1384-00003 | Conduit - Wire Package (1 In. Wide).....     | 1    |
| 7         | 01-1P1384-00004 | Conduit - Wire Package (2 In. Wide).....     | 1    |
| 8         | 01-1P1214-00006 | Board - Power Supply.....                    | 1    |
| 9         | 01-1000V6-00070 | Relay DPDT 1/4 Hp., 120 VAC (Fan Relay)..... | AR   |
| 10        | 01-1000V6-00225 | Relay - Power (Motor Relay).....             | 1    |
| 11        | 01-1000V5-00059 | Bushing - Snap.....                          | 1    |
| 12        | 01-1000V5-00105 | Terminal (1 & 2 Duct).....                   | AR   |
| 13        | 01-1000V5-00209 | Terminal (3 Duct).....                       | 1    |
| 14        | 01-1000V5-00106 | End - Section (600 V.).....                  | 1    |
| 15        | 01-1000V6-00191 | Breaker - Circuit (15 Amp., 120/240 V.)..... | 1    |
| 16        | 01-100V11-00139 | Box - Breaker.....                           | 1    |
| 17        | 01-1P1869-00001 | Cover Assy. - Component Box (1 Duct).....    | 1    |
| 18        | 01-1P1869-00002 | Cover Assy. - Component Box (2 Duct).....    | 1    |
| 19        | 01-1P1869-00003 | Cover Assy. - Component Box (3 Duct).....    | 1    |
| 20        | 01-1P2048-00001 | Box Assy. - J (1 Duct).....                  | 2    |
| 21        | 01-1P2030-00203 | Conduit - Third Air Duct.....                | 1    |
| 22        | 01-1P2030-00202 | Conduit - Second Air Duct.....               | 1    |
| 23        | 01-1P2048-00001 | Box Assy. - J (1 Duct).....                  | 1    |
| 24        | 01-1P2030-00201 | Conduit - First Air Duct.....                | 1    |
|           | 01-1P1378-00001 | Cover - Pest Control (1-Wide).....           | 1    |
|           | 01-1P1378-00002 | Cover - Pest Control (2-Wide).....           | 1    |
|           | 01-1P1378-00003 | Cover - Pest Control (3-Wide).....           | 1    |

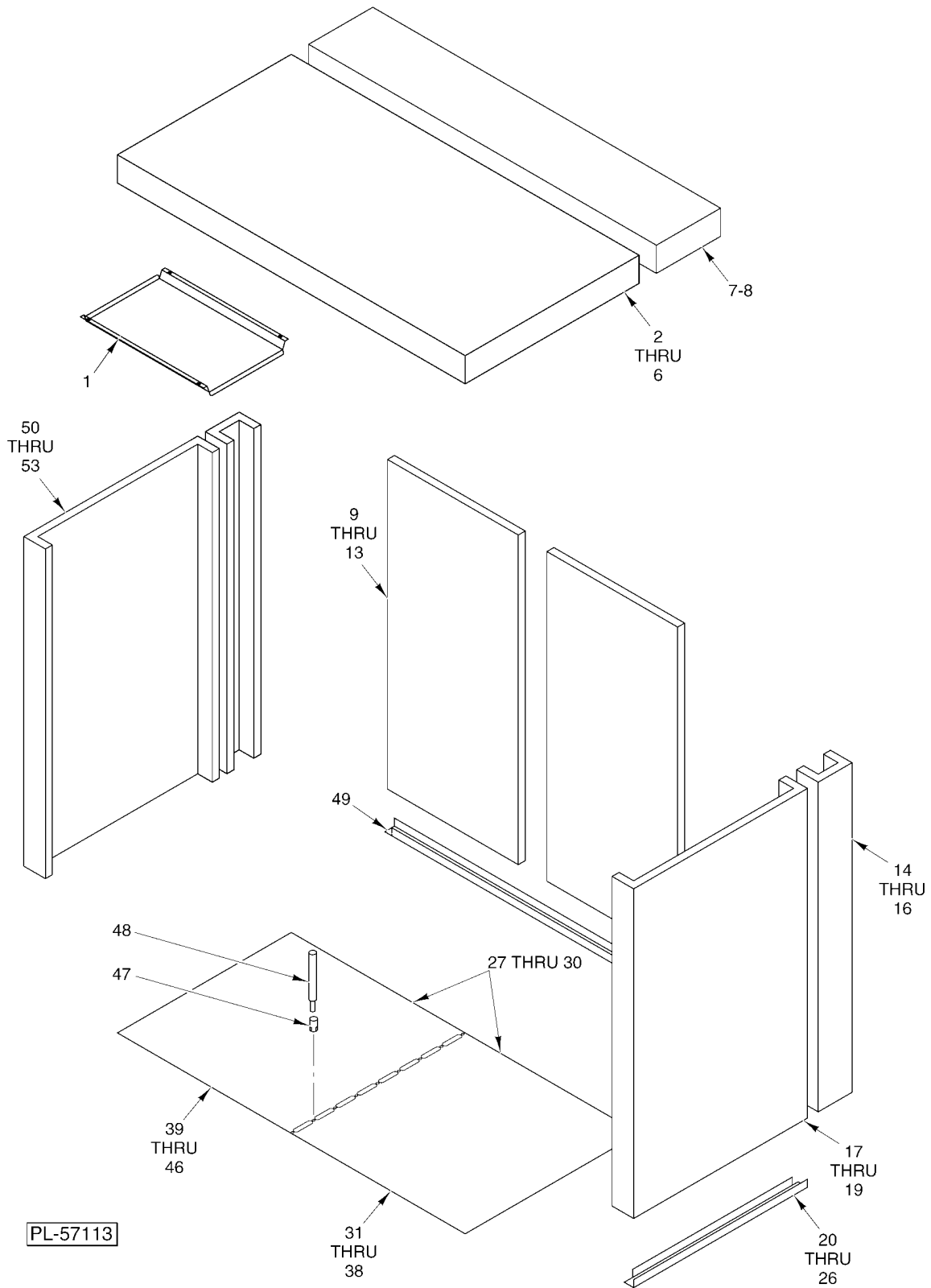


**SINGLE WIDE CABINET**



## SINGLE WIDE CABINET

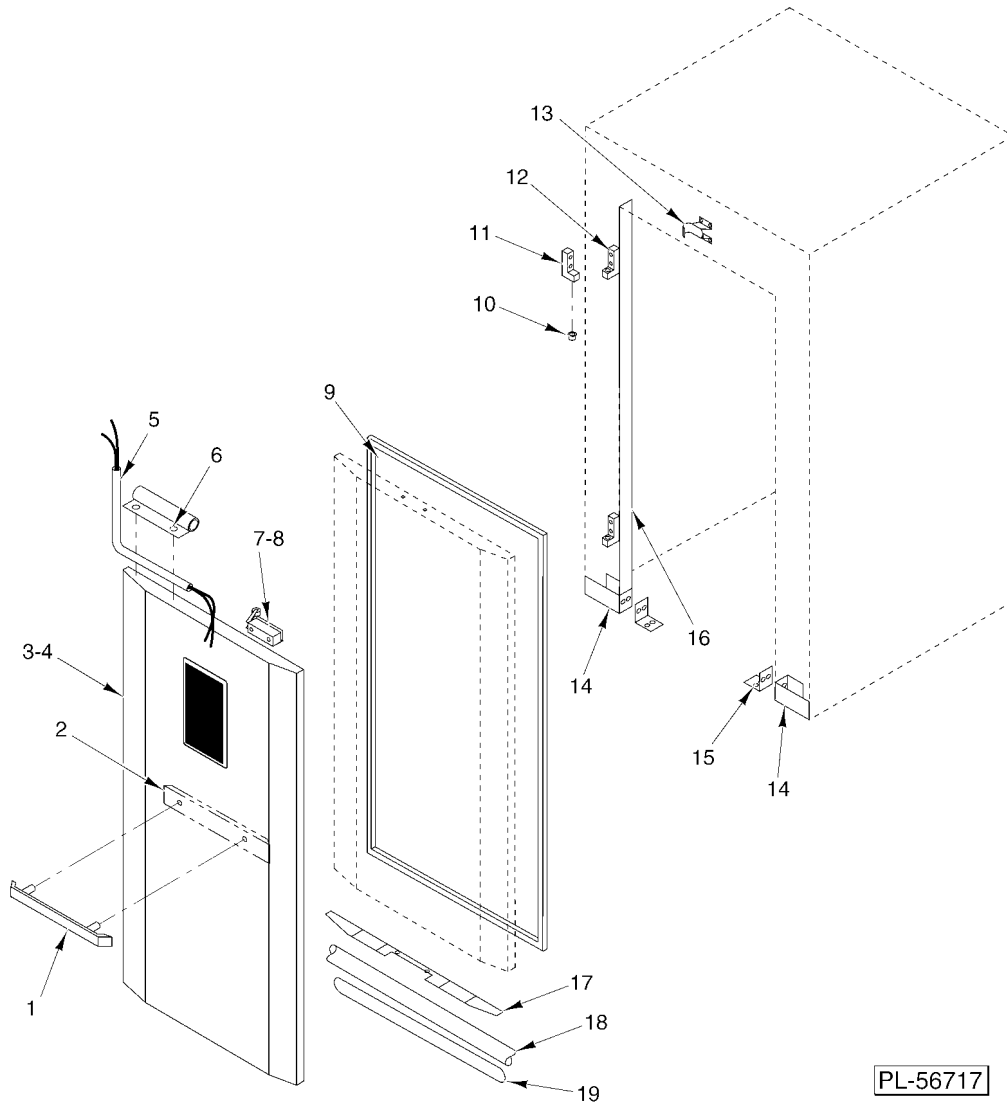
| ILLUS.<br>PL-57112 | PART NO.        | NAME OF PART   | AMT. |
|--------------------|-----------------|--|------|
| 1                  | 01-1P1898-00001 | Duct - Ceiling.....                                      | 1    |
| 2                  | 01-1P1851-00001 | Panel - Ceiling.....                                     | AR   |
| 3                  | 01-1000V5-00059 | Bushing - Snap (Plastic).....                            | AR   |
| 4                  | 01-1000V5-00073 | Bushing - Snap.....                                      | AR   |
| 5                  | 01-100V21-00092 | Gasket - PVC-Extruded ("B" Shape) (30 Ft. Required)..... | AR   |
| 6                  | 01-1P1851-00002 | Ceiling Assy. - Half Panel.....                          | 1    |
| 7                  | 01-100V21-00092 | Gasket - PVC-Extruded ("B" Shape) (30 Ft. Required)..... | AR   |
| 8                  | 01-1P1839-00001 | Panel Assy. - Rear.....                                  | 1    |
| 9                  | 01-100V18-00144 | Latch - Cam Lock.....                                    | 2    |
| 10                 | 01-100V18-00145 | Receptacle - Cam Lock.....                               | 2    |
| 11                 | 01-100V21-00092 | Gasket - PVC-Extruded ("B" Shape) (30 Ft. Required)..... | AR   |
| 12                 | 01-100V18-00144 | Latch - Cam Lock.....                                    | AR   |
| 13                 | 01-100V18-00145 | Receptacle - Cam Lock.....                               | AR   |
| 14                 | 01-100V21-00092 | Gasket - PVC-Extruded ("B" Shape) (30 Ft. Required)..... | AR   |
| 15                 | 01-1P1841-00002 | Wall - Half Weldment.....                                | 2    |
| 16                 | 01-1P1843-00001 | Wall Assy. (LH).....                                     | 1    |
| 17                 | 01-100V18-00144 | Latch - Cam Lock.....                                    | AR   |
| 18                 | 01-100V18-00145 | Receptacle - Cam Lock.....                               | AR   |
| 19                 | 01-100V21-00092 | Gasket - PVC-Extruded ("B" Shape) (30 Ft. Required)..... | AR   |
| 20                 | 01-1P1997-00001 | Channel - Base Side (30 In.).....                        | 1    |
| 21                 | 01-1P1997-00004 | Channel - Base Side (50 In.).....                        | 1    |
| 22                 | 01-1P1997-00002 | Channel - Base Side (63 In.).....                        | 1    |
| 23                 | 01-1P1997-00005 | Channel - Base Side (83 In.).....                        | 1    |
| 24                 | 01-1P1997-00003 | Channel - Base Side (96 In.).....                        | 1    |
| 25                 | 01-1P1997-00006 | Channel - Base Side (116 In.).....                       | 1    |
| 26                 | 01-100V21-0005C | Caulk - Silicone (Clear) (Tube).....                     | 1    |
| 27                 | 01-1P2038-00001 | Floor (30 In. STD).....                                  | 1    |
| 28                 | 01-1P2038-00002 | Floor (63 In. STD).....                                  | 1    |
| 29                 | 01-1P2038-00005 | Floor (83 In. STD).....                                  | 1    |
| 30                 | 01-1P2038-00003 | Floor (96 In. STD).....                                  | 1    |
| 31                 | 01-1P2038-00006 | Floor (116 In. STD).....                                 | 1    |
| 32                 | 01-1P2038-0001P | Floor (30 In. Pass Thru).....                            | 1    |
| 33                 | 01-1P2038-0002P | Floor (63 In. Pass Thru).....                            | 1    |
| 34                 | 01-1P2038-0005P | Floor (83 In. Pass Thru).....                            | 1    |
| 35                 | 01-1P2038-0003P | Floor (96 In. Pass Thru).....                            | 1    |
| 36                 | 01-1P2038-0006P | Floor (116 In. Pass Thru).....                           | 1    |
| 37                 | 01-1P1996-00001 | Channel - Base Rear.....                                 | 1    |
| 38                 | 01-1P1996-00002 | Channel - Base Rear.....                                 | 1    |
| 39                 | 01-1000V4-00073 | Anchor - Drop-In 1/4-20.....                             | AR   |
| 40                 | 01-1000V4-0073A | Tool - Setting.....                                      | 1    |
| 41                 | 01-1P1841-00001 | Wall Assy. (RH).....                                     | 1    |
| 42                 | 01-100V18-00144 | Latch - Cam Lock.....                                    | AR   |
| 43                 | 01-100V18-00145 | Receptacle - Cam Lock.....                               | AR   |
| 44                 | 01-100V21-00092 | Gasket - PVC-Extruded ("B" Shape) (30 Ft. Required)..... | AR   |
|                    | 01-100V21-00057 | Adhesive - Floor (11 Oz. Tube).....                      | AR   |
|                    | 01-100V19-00024 | Trowel - Mastic (For Floor Adhesive).....                | 1    |
|                    | 01-1P2034-00001 | Wire - Light Fixture Kit.....                            | 1    |
|                    | 01-1000V7-00019 | Light Fixture.....                                       | 1    |
|                    | 01-100V11-0024A | Box - J.....   | 2    |
|                    | 01-1000V5-00015 | Nut - Wire.....  | 2    |
|                    | 01-100V15-00066 | Plug - Button 1/2 In.....                                | AR   |
|                    | 01-100V15-00067 | Plug - Button 7/8 In.....                                | 9    |
|                    | 01-1P1907-00001 | Panel - Stop Top.....                                    | 2    |



**DOUBLE WIDE CABINET**

## DOUBLE WIDE CABINET

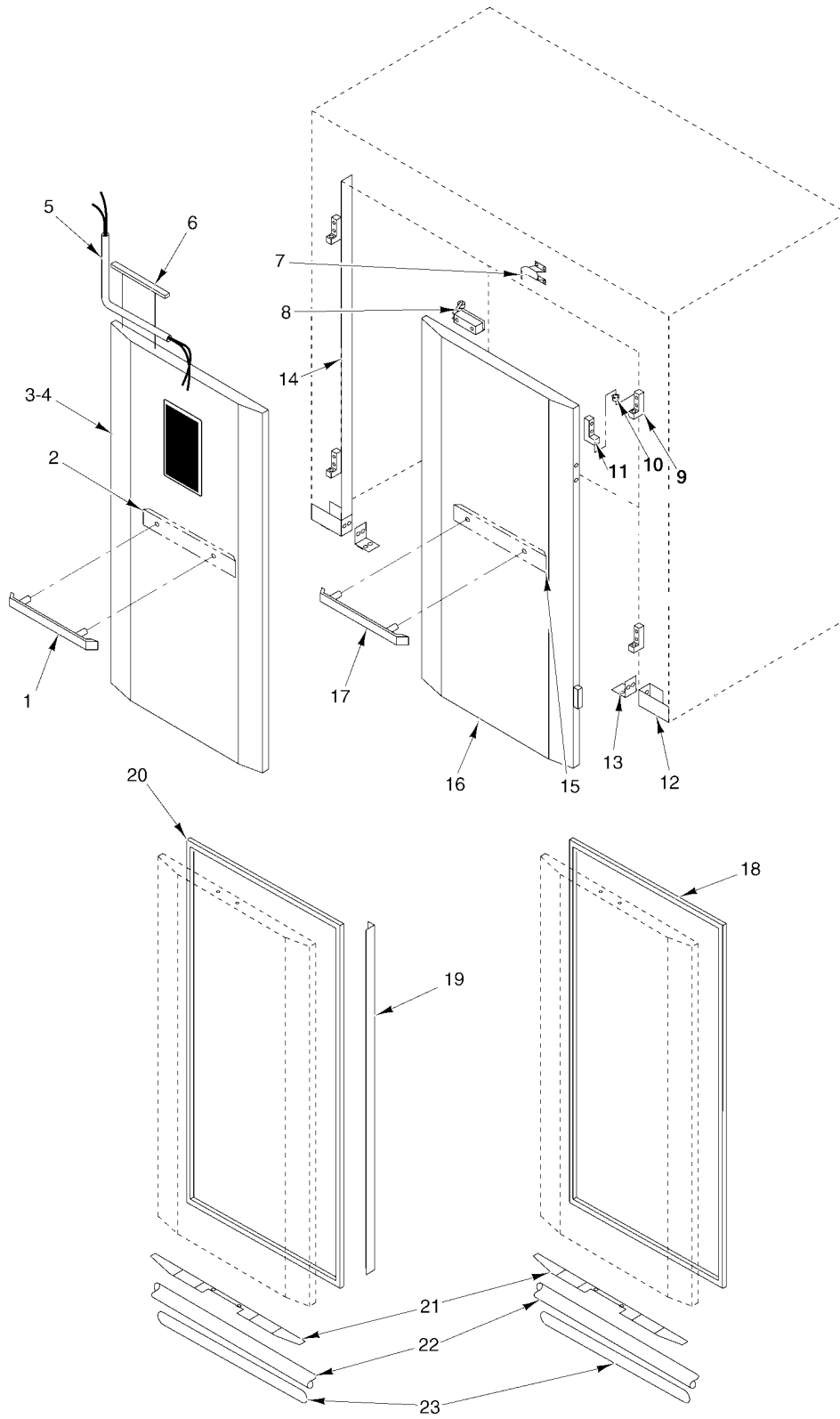
| ILLUS.   | PART NO.        | NAME OF PART   | AMT. |
|----------|-----------------|--|------|
| PL-57113 |                 |  |      |
| 1        | 01-1P1898-00001 | Duct - Ceiling.....                                      | 1    |
| 2        | 01-1P1853-00001 | Panel - Ceiling.....                                     | AR   |
| 3        | 01-1000V5-00059 | Bushing - Snap (Plastic).....                            | AR   |
| 4        | 01-1000V5-00073 | Bushing - Snap.....                                      | AR   |
| 5        | 01-100V15-00067 | Plug - Button 7/8 In.....                                | 2    |
| 6        | 01-100V21-00092 | Gasket - PVC Extruded ("B" Shape) (30 Ft. Required)..... | AR   |
| 7        | 01-1P1853-00002 | Ceiling Assy. - Half Panel.....                          | 1    |
| 8        | 01-100V21-00092 | Gasket - PVC Extruded ("B" Shape) (30 Ft. Required)..... | AR   |
| 9        | 01-1P1839-00001 | Panel Assy. - Rear.....                                  | 1    |
| 10       | 01-1P1829-00001 | Plate - Cam Lock.....                                    | 4    |
| 11       | 01-100V18-00144 | Latch - Cam Lock.....                                    | 2    |
| 12       | 01-100V18-00145 | Receptacle - Cam Lock.....                               | 2    |
| 13       | 01-100V21-00092 | Gasket - PVC-Extruded ("B" Shape) (30 Ft. Required)..... | AR   |
| 14       | 01-1P1841-00002 | Wall - Half Weldment.....                                | 2    |
| 15       | 01-100V18-00144 | Latch - Cam Lock.....                                    | AR   |
| 16       | 01-100V18-00145 | Receptacle - Cam Lock.....                               | AR   |
| 17       | 01-1P1843-00002 | Wall Assy. (LH).....                                     | 1    |
| 18       | 01-100V18-00145 | Receptacle - Cam Lock.....                               | AR   |
| 19       | 01-100V21-00092 | Gasket - PVC-Extruded ("B" Shape) (30 Ft. Required)..... | AR   |
| 20       | 01-1P1997-00001 | Channel - Base Side (30 In.).....                        | 1    |
| 21       | 01-1P1997-00004 | Channel - Base Side (50 In.).....                        | 1    |
| 22       | 01-1P1997-00002 | Channel - Base Side (63 In.).....                        | 1    |
| 23       | 01-1P1997-00005 | Channel - Base Side (83 In.).....                        | 1    |
| 24       | 01-1P1997-00003 | Channel - Base Side (96 In.).....                        | 1    |
| 25       | 01-1P1997-00006 | Channel - Base Side (116 In.).....                       | 1    |
| 26       | 01-100V21-0005C | Caulk - Silicone (Clear) (Tube).....                     | 1    |
| 27       | 01-1P2017-00002 | Floor (30 In. STD).....                                  | 1    |
| 28       | 01-1P2017-00003 | Floor (50 In. STD).....                                  | 1    |
| 29       | 01-1P2037-0002P | Floor (30 In. Pass Thru).....                            | 1    |
| 30       | 01-1P2037-0003P | Floor (50 In. Pass Thru).....                            | 1    |
| 31       | 01-1P2017-00004 | Floor (63 In. STD, LH).....                              | 1    |
| 32       | 01-1P2017-00005 | Floor (83 In. STD, LH).....                              | 1    |
| 33       | 01-1P2017-00006 | Floor (96 In. STD, LH).....                              | 1    |
| 34       | 01-1P2017-00007 | Floor (116 In. STD, LH).....                             | 1    |
| 35       | 01-1P2037-0004P | Floor (63 In. Pass Thru, LH).....                        | 1    |
| 36       | 01-1P2037-0005P | Floor (83 In. Pass Thru, LH).....                        | 1    |
| 37       | 01-1P2037-0006P | Floor (96 In. Pass Thru, LH).....                        | 1    |
| 38       | 01-1P2037-0007P | Floor (116 In. Pass Thru, LH).....                       | 1    |
| 39       | 01-1P2017-0004R | Floor (63 In. STD, RH).....                              | 1    |
| 40       | 01-1P2017-0005R | Floor (83 In. STD, RH).....                              | 1    |
| 41       | 01-1P2017-0006R | Floor (96 In. STD, RH).....                              | 1    |
| 42       | 01-1P2017-0007R | Floor (116 In. STD, RH).....                             | 1    |
| 43       | 01-1P2037-004PR | Floor (63 In. Pass Thru, RH).....                        | 1    |
| 44       | 01-1P2037-005PR | Floor (83 In. Pass Thru, RH).....                        | 1    |
| 45       | 01-1P2037-006PR | Floor (96 In. Pass Thru, RH).....                        | 1    |
| 46       | 01-1P2037-007PR | Floor (116 In. Pass Thru, RH).....                       | 1    |
| 47       | 01-1000V4-00073 | Anchor - Drop-In 1/4-20.....                             | AR   |
| 48       | 01-1000V4-0073A | Tool - Setting.....                                      | 1    |
| 49       | 01-1P1996-00002 | Channel - Base Rear.....                                 | 1    |
| 50       | 01-100V21-00092 | Gasket - PVC Extruded ("B" Shape) (30 Ft. Required)..... | AR   |
| 51       | 01-100V18-00144 | Latch - Cam Lock.....                                    | AR   |
| 52       | 01-1P1841-00001 | Wall Assy. (RH).....                                     | 1    |
| 53       | 01-100V18-00145 | Receptacle - Cam Lock.....                               | AR   |
|          | 01-100V21-00057 | Adhesive - Floor (11 Oz. Tube).....                      | AR   |
|          | 01-100V19-00024 | Trowel - Mastic (For Floor Adhesive).....                | 1    |
|          | 01-1P2034-00001 | Wire - Light Fixture Kit.....                            | 1    |
|          | 01-1000V7-00019 | Light Fixture.....                                       | 1    |
|          | 01-1000V5-00015 | Nut - Wire.....  | 2    |
|          | 01-100V15-00066 | Plug - Button 1/2 In.....                                | AR   |
|          | 01-100V15-00067 | Plug - Button 7/8 In.....                                | AR   |
|          | 01-1P1907-00001 | Panel - Stop, Top.....                                   | 2    |



**SINGLE DOOR ASSEMBLY**

**SINGLE DOOR ASSEMBLY**

| ILLUS.    | PART NO.        | NAME OF PART  | AMT. |
|-----------|-----------------|---|------|
| PL-56717A |                 |   |      |
| 1         | 01-1P1499-00002 | Handle - Door.....  | 1    |
| 2         | 01-1P1837-00001 | Bumper - Door.....  | 1    |
| 3         | 01-1P1845-00003 | Door - W/Control Panel.....                               | 1    |
| 4         | 01-1P1845-00002 | Door - W/Control Panel Plate (Pass Thru) (Not Shown)..... | 1    |
| 5         | 01-1P1384-00004 | Conduit - Wire.....                                       | 1    |
| 6         | 01-1P1485-00002 | Clamp - Wire Tube (Door).....                             | 1    |
| 7         | 01-100V18-00152 | Closer - Door (W/Flush Strike).....                       | 1    |
| 8         | 01-1P1914-00001 | Bracket - Door Closer.....                                | 1    |
| 9         | 01-100V16-0576B | Gasket - Magnetic.....                                    | 1    |
| 10        | 01-1000V0-00056 | Bearing - Flange (Oil Filled).....                        | 2    |
| 11        | 01-1P1507-00001 | Hinge (Door).....   | 2    |
| 12        | 01-1P1506-00001 | Hinge (Jamb).....   | 2    |
| 13        | 01-1P1914-00001 | Bracket - Door Closer.....                                | 1    |
| 14        | 01-1P2019-00001 | Trim - Jamb.....  | 2    |
| 15        | 01-1P2018-00001 | Angle - Retainer.....                                     | 2    |
| 16        | 01-1P2021-00001 | Strip - Cover, Jamb.....                                  | 2    |
| 17        | 01-1P2107-00001 | Retainer - Outer.....                                     | 1    |
| 18        | 01-1P2106-00001 | Seal - Floor.....   | 1    |
| 19        | 01-1P2109-00001 | Retainer - Inner.....                                     | 1    |
|           | 01-1P2108-00001 | Floor Seal Assy. (Incls. Items 17, 18, & 19).....         | 1    |

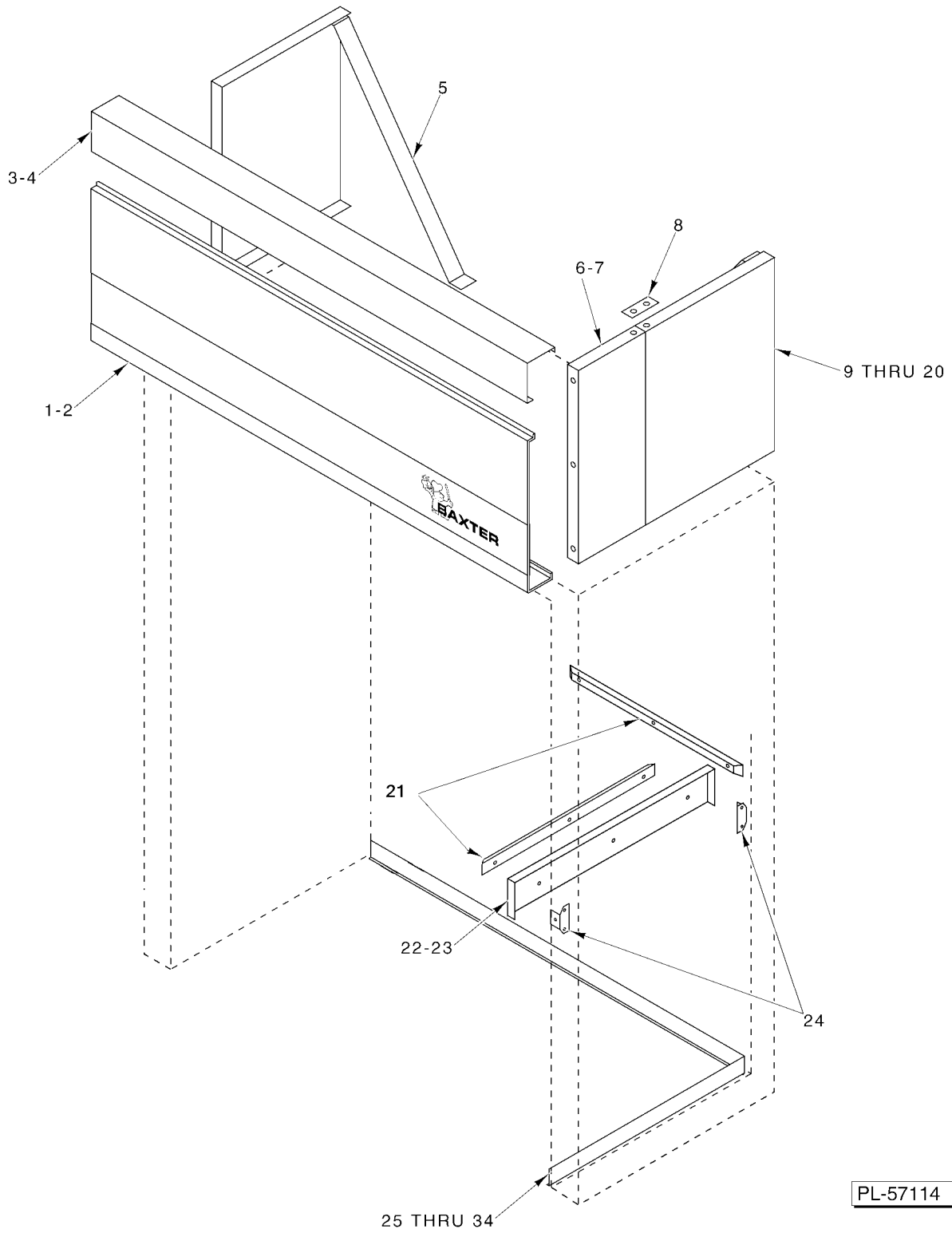


PL-56718

**DOUBLE DOOR ASSEMBLY**

## DOUBLE DOOR ASSEMBLY

| ILLUS.    | PART NO.        | NAME OF PART  | AMT. |
|-----------|-----------------|---|------|
| PL-56718A |                 |   |      |
| 1         | 01-1P1499-00002 | Handle - Door.....  | 1    |
| 2         | 01-1P1837-00001 | Bumper - Door.....  | 1    |
| 3         | 01-1P1847-00003 | Door - W/Control Panel.....                               | 1    |
| 4         | 01-1P1847-00002 | Door - W/Control Panel Plate (Pass Thru) (Not Shown)..... | 1    |
| 5         | 01-1P1384-00004 | Conduit - Wire.....                                       | 1    |
| 6         | 01-1P1485-00002 | Clamp - Wire Tube (Door).....                             | 1    |
| 7         | 01-1P1914-00001 | Bracket - Door Closer.....                                | 1    |
| 8         | 01-100V18-00152 | Closer - Door (W/Flush Strike).....                       | 1    |
| 9         | 01-1P1506-00001 | Hinge (Jamb).....   | 2    |
| 10        | 01-1000V0-00056 | Bearing - Flange (Oil Filled).....                        | 2    |
| 11        | 01-1P1507-00001 | Hinge (Door).....   | 2    |
| 12        | 01-1P2019-00001 | Trim - Jamb.....  | 2    |
| 13        | 01-1P2018-00001 | Angle - Retainer.....                                     | 2    |
| 14        | 01-1P2021-00001 | Strip - Cover, Jamb.....                                  | 2    |
| 15        | 01-1P1837-00001 | Bumper - Door.....  | 1    |
| 16        | 01-1P1849-00001 | Door - Blank.....   | AR   |
| 17        | 01-1P1499-00002 | Handle - Door.....  | 1    |
| 18        | 01-100V16-0576B | Gasket - Magnetic.....                                    | 1    |
| 19        | 01-1P2002-00001 | Strip - Door Lap.....                                     | 1    |
| 20        | 01-100V16-0576B | Gasket - Magnetic.....                                    | 1    |
| 21        | 01-1P2107-00002 | Retainer - Outer.....                                     | 1    |
| 22        | 01-1P2106-00001 | Seal - Floor.....   | 1    |
| 23        | 01-1P2109-00002 | Retainer - Inner.....                                     | 1    |
|           | 01-1P2108-00002 | Floor Seal Assy. (Incls. Items 21, 22, & 23).....         | 1    |

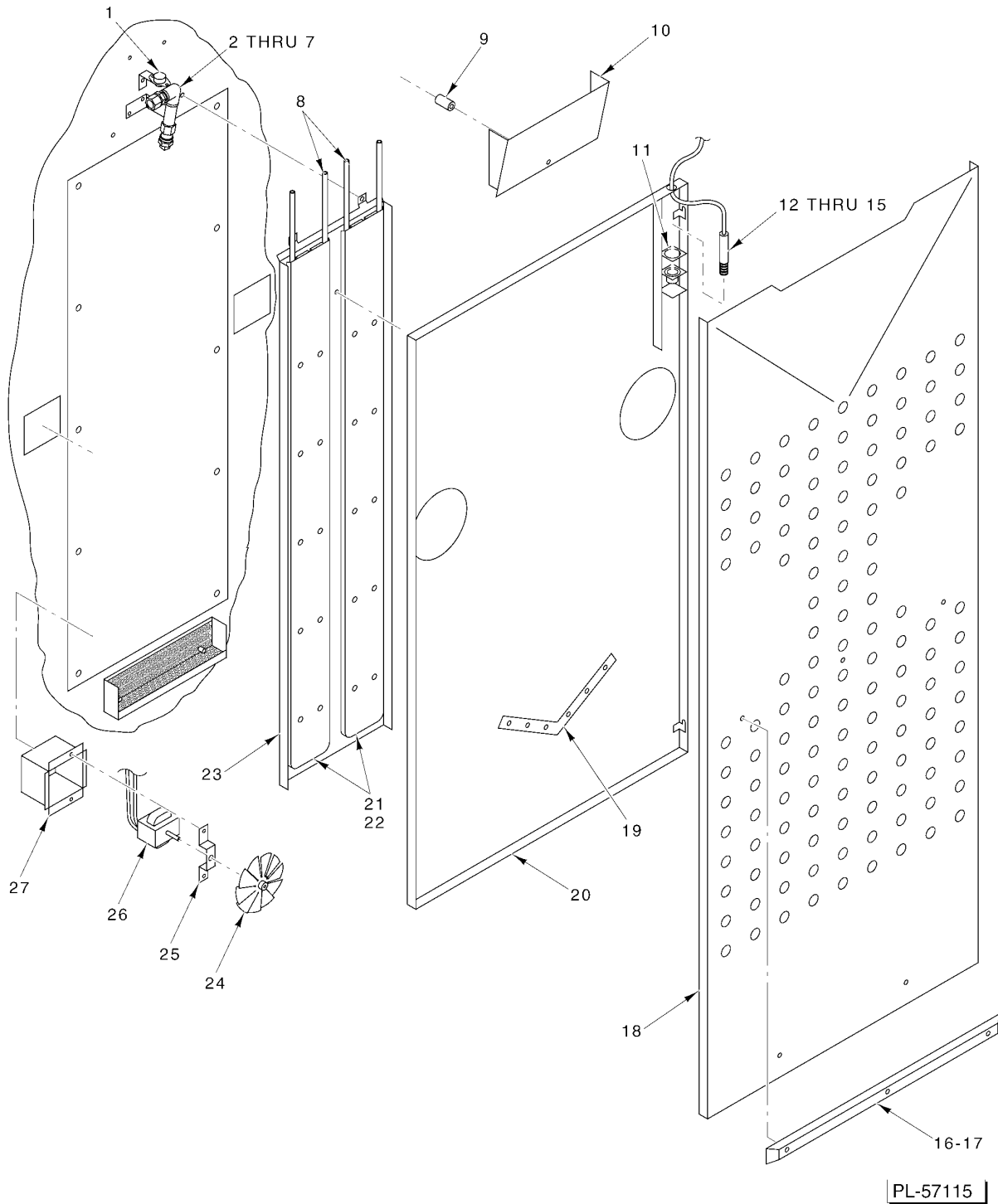


**TRIM AND INTERIOR BUMPERS**



## TRIM AND INTERIOR BUMPERS

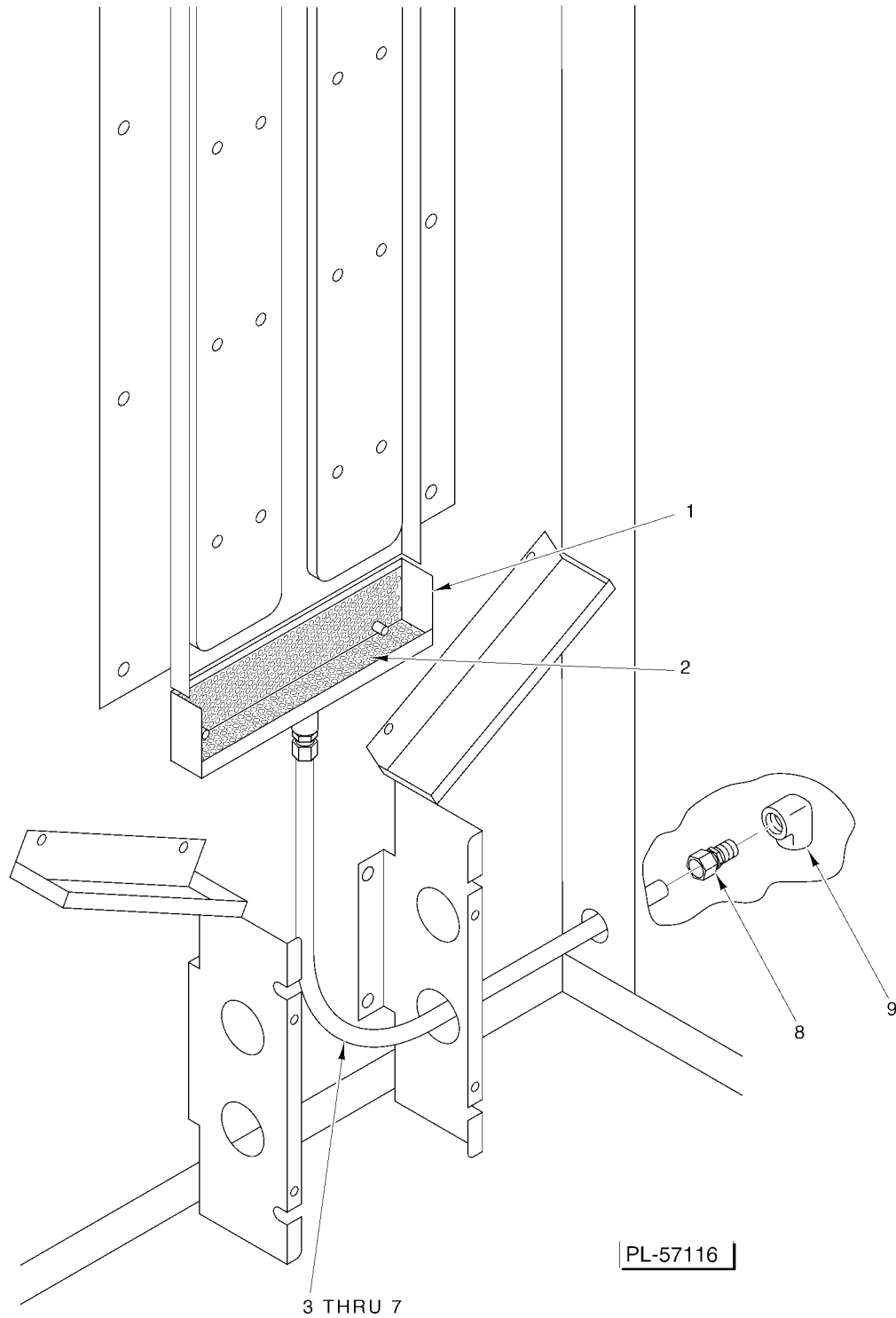
| ILLUS.<br>PL-57114 | PART NO.        | NAME OF PART                                  | AMT. |
|--------------------|-----------------|---|------|
| 1                  | 01-1P2097-00001 | Trim - Forward Lower (BXP1 and BXP1 1/2)..... | 2    |
| 2                  | 01-1P2097-00002 | Trim - Forward Lower (BXP2 and BXP2 1/2)..... | 2    |
| 3                  | 01-1P2096-00001 | Trim - Forward Upper (BXP1 and BXP1 1/2)..... | 2    |
| 4                  | 01-1P2096-00002 | Trim - Forward Upper (BXP2 and BXP2 1/2)..... | 2    |
| 5                  | 01-1P1912-00001 | Strap - Support Top Trim.....                 | 2    |
| 6                  | 01-1P2098-00001 | Retainer - Forward Trim Assy.....             | 2    |
| 7                  | 01-1000V4-00122 | Insert - Threaded 1/4-20.....                 | 3    |
| 8                  | 01-1P1913-00001 | Strap - Connector, Top Trim.....              | 2    |
| 9                  | 01-1P1911-00001 | Trim - Side Top (30 In. STD).....             | 2    |
| 10                 | 01-1P1911-00004 | Trim - Side Top (50 in. STD).....             | 1    |
| 11                 | 01-1P1911-00002 | Trim - Side Top (63 In. STD).....             | 2    |
| 12                 | 01-1P1911-00005 | Trim - Side Top (83 in. STD).....             | 1    |
| 13                 | 01-1P1911-00003 | Trim - Side Top (96 In. STD).....             | 2    |
| 14                 | 01-1P1911-00006 | Trim - Side Top (116 In. STD).....            | 1    |
| 15                 | 01-1P1911-0001P | Trim - Side Top (30 In. Pass Thru).....       | 2    |
| 16                 | 01-1P1911-0004P | Trim - Side Top (50 In. Pass Thru).....       | 1    |
| 17                 | 01-1P1911-0002P | Trim - Side Top (63 In. Pass Thru).....       | 2    |
| 18                 | 01-1P1911-0005P | Trim - Side Top (83 In. Pass Thru).....       | 1    |
| 19                 | 01-1P1911-0003P | Trim - Side Top (96 In. Pass Thru).....       | 2    |
| 20                 | 01-1P1911-0006P | Trim - Side Top (116 In. Pass Thru).....      | 1    |
| 21                 | 01-1P1837-00001 | Bumper (Per Panel).....                       | 1    |
| 22                 | 01-1P2012-00001 | Support - Bumper (RH).....                    | AR   |
| 23                 | 01-1P2012-00002 | Support - Bumper (1/2 Panel).....             | AR   |
| 24                 | 01-1P2013-00001 | Bracket - Bumper Support (RH).....            | AR   |
| 25                 | 01-1P2016-00001 | Trim - Inner-Bottom (30 In.).....             | AR   |
| 26                 | 01-1P2016-00002 | Trim - Inner-Bottom (15 In.) (1/2 Panel)..... | AR   |
| 27                 | 01-1P2020-00001 | Trim - Inner/Outer (30 In.).....              | AR   |
| 28                 | 01-1P2020-00006 | Trim - Inner/Outer (50 In.).....              | AR   |
| 29                 | 01-1P2020-00002 | Trim - Inner/Outer (50 In.).....              | AR   |
| 30                 | 01-1P2020-00004 | Trim - Inner/Outer (63 In.).....              | AR   |
| 31                 | 01-1P2020-00009 | Trim - Inner/Outer (83 In.).....              | AR   |
| 32                 | 01-1P2020-00003 | Trim - Inner/Outer (83 In.).....              | AR   |
| 33                 | 01-1P2020-00005 | Trim - Inner/Outer (96 In.).....              | AR   |
| 34                 | 01-1P2020-00010 | Trim - Inner/Outer (116 In.).....             | AR   |
|                    | 01-1P1910-00001 | Trim - Rear (Top).....                        | 1    |
|                    | 01-1P2099-00001 | Cover - Slot.....                             | AR   |
|                    | 01-1P2042-00001 | Trim - Inner Base.....                        | AR   |
|                    | 01-1P2095-00001 | Trim - Side (RH).....                         | AR   |
|                    | 01-1P2095-00001 | Trim - Side (LH).....                         | AR   |



**STEAM UNIT**

## STEAM UNIT

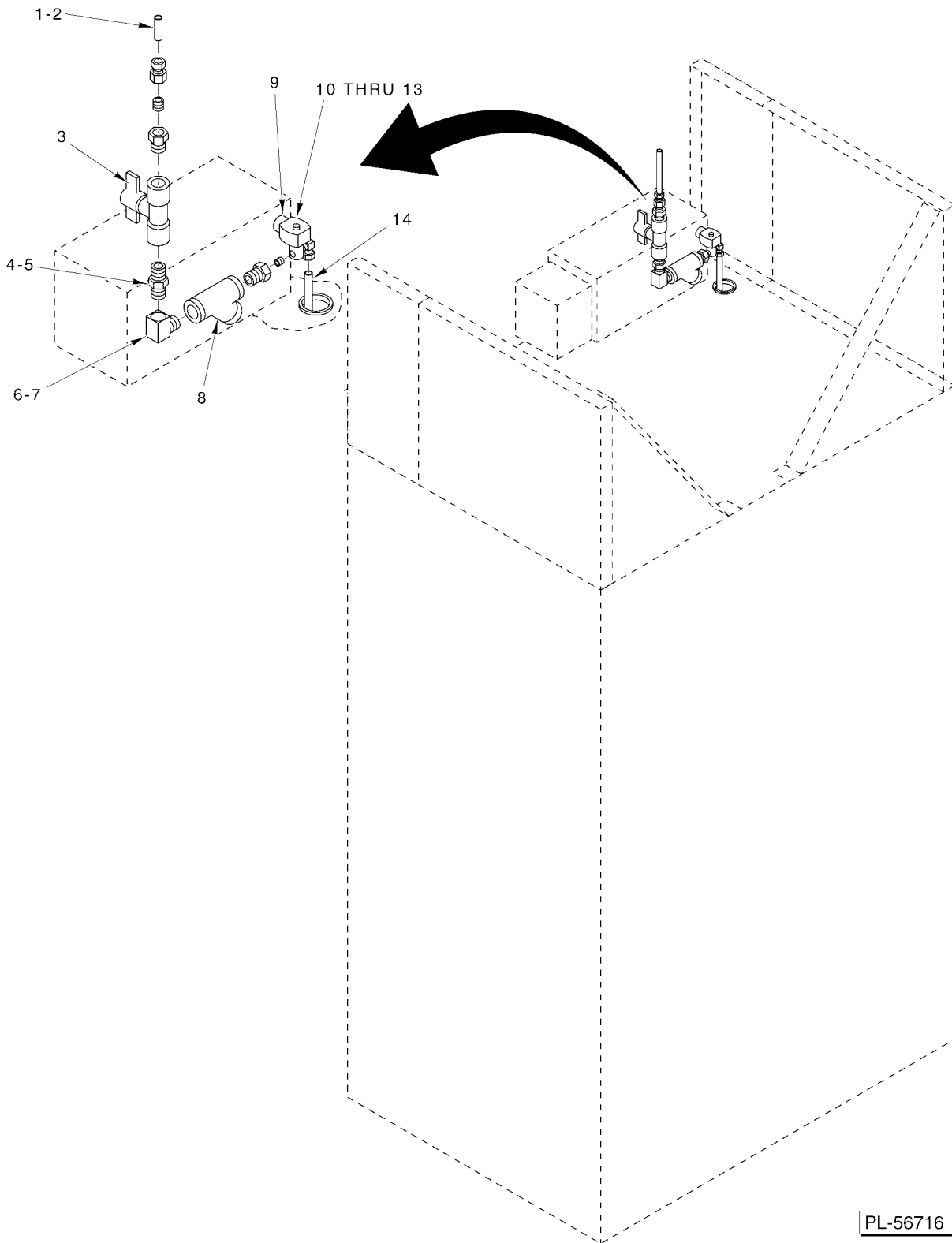
| ILLUS.<br>PL-57115 | PART NO.        | NAME OF PART  | AMT. |
|--------------------|-----------------|---|------|
| 1                  | 01-1000V6-00230 | Switch - Hi-Limit.....                                  | 1    |
| 2                  | 01-1P1362-00002 | Bracket - Mounting Spray Nozzle.....                    | 1    |
| 3                  | 01-1P1363-00003 | Nozzle - Spray.....                                     | 1    |
| 4                  | 01-100V17-00258 | Ell 3/8 In. NPT (Brass).....                            | 1    |
| 5                  | 01-100V17-00272 | Fitting - Straight 3/8 In. NPTM x 3.....                | 1    |
| 6                  | 01-100V17-00281 | Coupler - Reducer 3/8 to 1/4.....                       | 1    |
| 7                  | 01-100V17-00378 | Nozzle - Spray Built-In.....                            | 1    |
| 8                  | 01-1P2766-00001 | Kit - Element Heating (240 V., 2200 W.).....            | AR   |
| 9                  | 01-1000V5-00143 | Bushing.....  | 2    |
| 10                 | 01-1P1906-00002 | Shield - Spray.....                                     | 2    |
| 11                 | 01-1000V5-00143 | Spacer.....   | 1    |
| 12                 | 01-1P1875-00002 | Sensor Assy. - Humidity W/Filter.....                   | 1    |
| 13                 | 01-1000V5-00061 | Terminal.....   | 5    |
| 14                 | 01-1000V5-00079 | Housing.....  | 1    |
| 15                 | 01-1P1905-00001 | Bracket - Sensor.....                                   | 1    |
| 16                 | 01-1P1837-00002 | Bumper.....   | 1    |
| 17                 | 01-1P1837-00003 | Bumper.....   | 1    |
| 18                 | 01-1P1902-00001 | Panel - Intake.....                                     | 2    |
| 19                 | 01-1P1901-00002 | Guide - Drip.....                                       | 1    |
| 20                 | 01-1P1903-00001 | Panel - Intermediate.....                               | 2    |
| 21                 | 10-1P1874-00001 | Plate - Heater (Single Wide) (Incls. Items 8 & 23)..... | 1    |
| 22                 | 10-1P1874-00002 | Plate - Heater (Double Wide) (Incls. Items 8 & 23)..... | 1    |
| 23                 | 01-1P1859-00001 | Plate - Heater Mounting.....                            | 1    |
| 24                 | 01-1000V8-0079B | Wheel - Blower.....                                     | 2    |
| 25                 | 01-1P1904-00001 | Bracket - Motor.....                                    | 2    |
| 26                 | 01-1000V8-00115 | Motor - C-Frame (3K RPM, 120 VAC, 1/2 Hp.).....         | 2    |
| 27                 | 01-1P1909-00001 | Cup - Wall Motor.....                                   | 2    |
|                    | 01-1000V4-00047 | Nutsert.....  | AR   |
|                    | 01-100V21-00092 | Gasket 6.75.....  | 1    |
|                    | 01-1P1908-00001 | Deflector - Top.....                                    | 2    |



**DRAIN ASSEMBLY**

**DRAIN ASSEMBLY**

| ILLUS.   | PART NO.        | NAME OF PART   | AMT. |
|----------|-----------------|--|------|
| PL-57116 |                 |  |      |
| 1        | 01-1P1900-00001 | Pan - Drain.....   | 1    |
| 2        | 01-1P1899-00001 | Screen - Drain Pan.....                                  | 1    |
| 3        | 01-1P2036-00101 | Tube 5/8 In. Bent (Copper).....                          | 1    |
| 4        | 01-1P2036-00102 | Tube 5/8 In. Straight (Copper) (2 Duct) (Not Shown)..... | AR   |
| 5        | 01-1P2036-00103 | Tube 5/8 In. Straight (Copper) (3 Duct) (Not Shown)..... | AR   |
| 6        | 01-1P2036-00104 | Tube 5/8 In. Straight (Copper) (Not Shown).....          | AR   |
| 7        | 01-100V17-00394 | Tee - Union (Brass) (2 & 3 Duct) (Not Shown).....        | AR   |
| 8        | 01-100V17-00326 | Fitting 5/8 In. Comp. x 1/2 In. NPTM.....                | AR   |
| 9        | 01-1M1758-00003 | Elbow.....   | 1    |
|          | 01-1P2036-00001 | Drain (1 Duct) (Incls. Items 3, 8, & 9).....             | 1    |
|          | 01-1P2036-00002 | Drain (2 Duct) (Incls. Items 3, 4, & 6 thru 9).....      | 1    |
|          | 01-1P2036-00003 | Drain (3 Duct) (Incls. Items 3 & 5 thru 9).....          | 1    |
|          | 01-1P2036-00004 | Drain (1/2 Panel).....                                   | 1    |



PL-56716

**EXTERIOR WATER SUPPLY**

**EXTERIOR WATER SUPPLY**

| ILLUS.    | PART NO.        | NAME OF PART  | AMT. |
|-----------|-----------------|---|------|
| PL-56716A |                 |   |      |
| 1         | 01-1P2035-00102 | Tube 3/8 In. x 19 In. (Copper).....                               | AR   |
| 2         | 01-1P2035-00101 | Tube 3/8 In. x 32 In. (Copper) (2 & 3 Duct Only) (Not Shown)..... | AR   |
| 3         | 01-100V17-00089 | Valve - Ball 1/2 In. NPTF (Bronze).....                           | 1    |
| 4         | 01-100V17-00511 | Union - Compression (Brass) (1 Duct).....                         | 1    |
| 5         | 01-100V17-00506 | Tee 3/8 In. Compression (Brass) (2 & 3 Duct) (Not Shown).....     | 1    |
| 6         | 01-100V17-00339 | Elbow - 90 Deg. (Brass).....                                      | 1    |
| 7         | 01-100V17-00396 | Elbow - Union (Brass) (2 & 3 Duct) (Not Shown).....               | 1    |
| 8         | 01-100V17-00275 | Strainer (Y) - Liquid (Brass).....                                | 1    |
| 9         | 01-100V17-00075 | Valve - Solenoid 1/4 NPT (2-Way) (120 V.).....                    | 1    |
| 10        | 01-1P2030-00101 | Solenoid Assy.....  | 1    |
| 11        | 01-100V17-00288 | Pipe 1/2 In. Dia. Close (Brass).....                              | 1    |
| 12        | 01-100V17-00322 | Elbow 1/2 In. Street (Brass).....                                 | 1    |
| 13        | 01-100V17-00424 | Pipe - Reducer Hex 1/2 NPTM to 1/4 NPTM (Brass).....              | 1    |
| 14        | 01-1P2035-00103 | Tube 3/8 In. x 3 In. (Copper).....                                | 1    |
|           | 01-1P2035-00001 | Water Supply Assy. (30 In. and 50 In.) (1 Duct).....              | 1    |
|           | 01-1P2035-00002 | Water Supply Assy. (63 In. and 83 In.) (2 Duct).....              | 1    |
|           | 01-1P2035-00003 | Water Supply Assy. (96 In. and 116 In.) (3 Duct).....             | 1    |

