



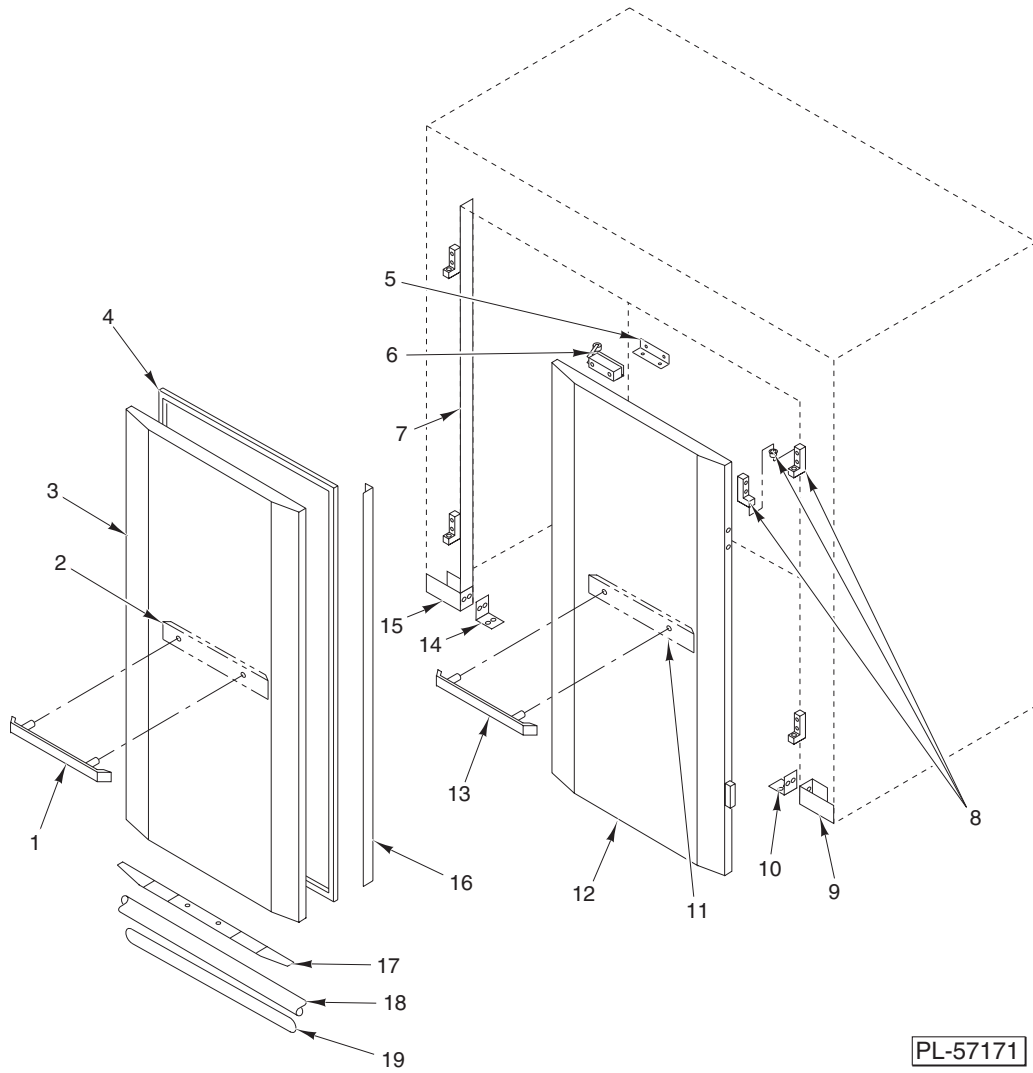
CATALOG OF REPLACEMENT PARTS

HR2 SERIES RETARDER

ML-132331	30" (Standard)
ML-132332	63" (Standard)
ML-132333	96" (Standard)
ML-132334	30" (Pass-Thru)
ML-132335	63" (Pass-Thru)
ML-132336	96" (Pass-Thru)
ML-132337	50" (Standard)
ML-132338	83" (Standard)
ML-132339	116" (Standard)
ML-132340	50" (Pass-Thru)
ML-132341	83" (Pass-Thru)
ML-132342	116" (Pass-Thru)

Table of Contents

5	Door Assembly
7	Cabinet
9	Trim and Interior Bumpers
11	Retarder Unit

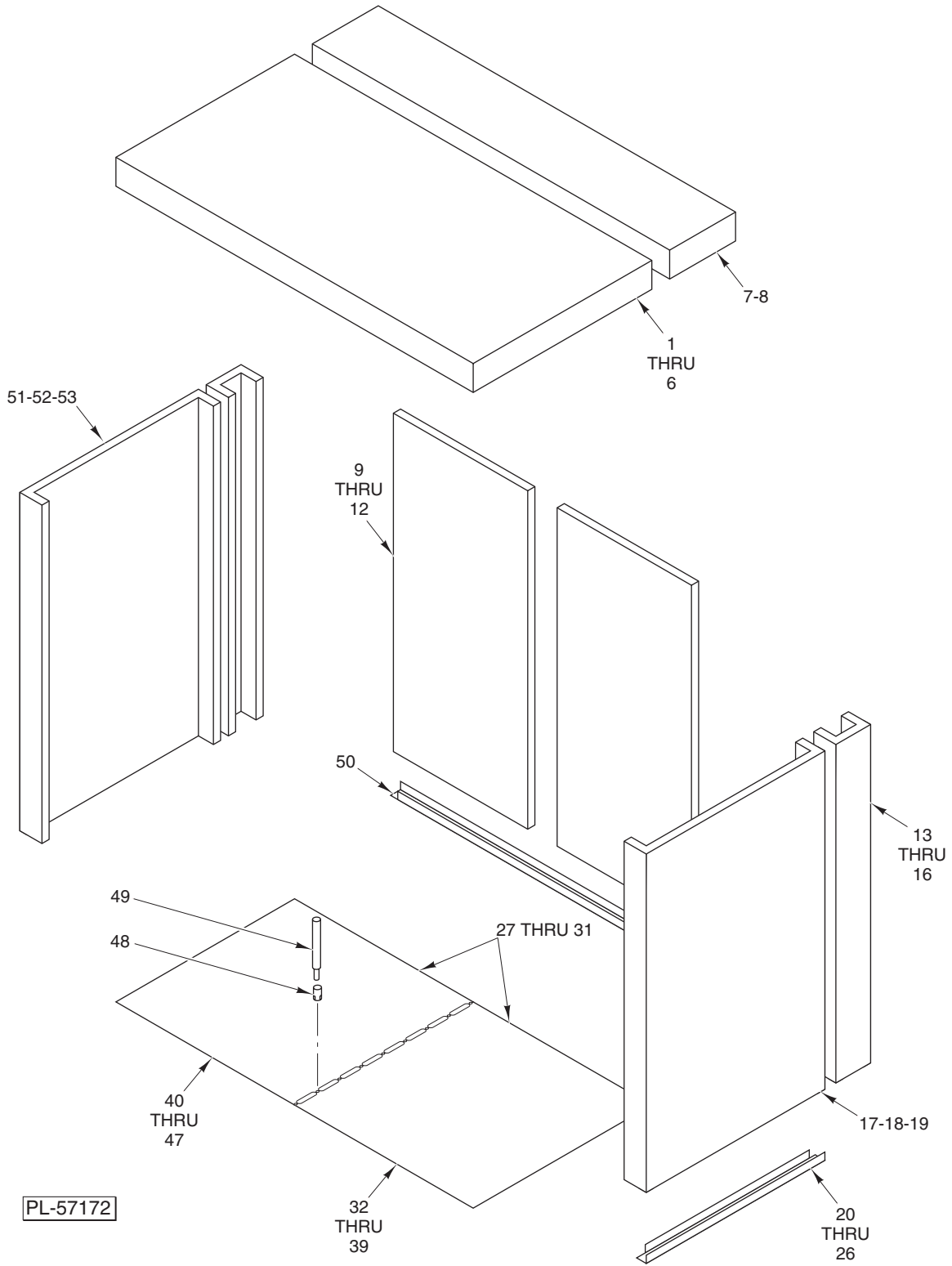


PL-57171

DOOR ASSEMBLY

DOOR ASSEMBLY

ILLUS. PL-57171	PART NO.	NAME OF PART	AMT.
1	01-1P1499-00002	Handle – Door	1
2	01-1P1837-00001	Bumper – Door	1
3	01-1P1849-00002	Door – Blank (Incls. Items 4 & 16 thru 19)	AR
4	01-100V16-0576B	Gasket – Magnetic	2
5	01-1P1914-00001	Bracket – Door Closer	1
6	01-100V18-00152	Closer – Door (W/Flush Strike)	1
7	01-1P2021-00001	Strip – Cover Jamb	2
8	01-1P1867-00001	Hinge – Package	4
9	01-1P2019-00001	Trim – Jamb	2
10	01-1P2018-00001	Angle – Retainer	2
11	01-1P1837-00001	Bumper – Door	1
12	01-1P1849-00001	Door – Blank (Incls. Items 4, 17, 18, & 19)	AR
13	01-1P1499-00002	Handle – Door	1
14	01-1P2018-00001	Angle – Retainer	2
15	01-1P2019-00001	Trim – Jamb	2
16	01-1P2002-00001	Strip – Door Lap	1
17	01-1P2109-00002	Retainer – Floor Seal	1
18	01-1P2106-00001	Seal – Floor	1
19	01-1P2107-00002	Retainer – Floor Seal	1
	01-1P2108-00002	Sweep – Door Assy. (Incls. Items 17, 18, & 19)	1
	01-1000V4-00273	Self-Tapping Screw ³ / ₈ -16 x 1 Button Hd.	AR

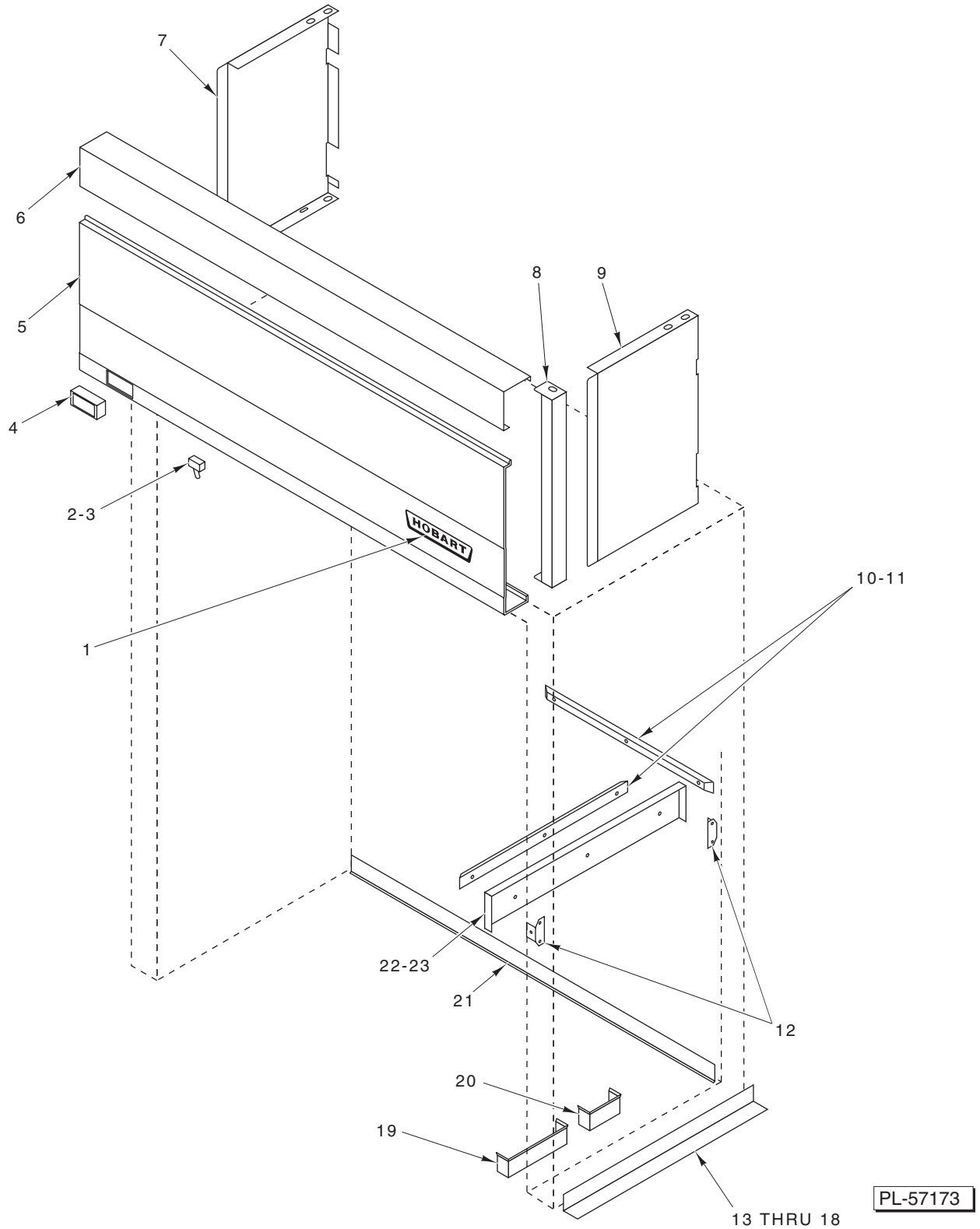


CABINET

CABINET

ILLUS. PL-57172	PART NO.	NAME OF PART	AMT.
1	01-1P1853-00001	Panel – Ceiling	AR
2	01-1P1853-00003	Panel – Ceiling	AR
3	01-1000V5-00059	Bushing – Snap (Plastic)	AR
4	01-1000V5-00073	Bushing – Snap	AR
5	01-100V15-00067	Plug – Button (7/8 In.)	2
*6	01-100V21-00092	Gasket – PVC-Extruded (“B” Shape)	30 Ft.
7	01-1P1853-00002	Ceiling Assy. – Half Panel	1
*8	01-100V21-00092	Gasket – PVC-Extruded (“B” Shape)	30 Ft.
9	01-1P1839-00001	Panel Assy. – Rear (Incls. Items 10, 11, & 12)	1
*10	01-100V18-00144	Latch – Cam Lock	2
*11	01-100V18-00145	Receptacle – Cam Lock	2
*12	01-100V21-00092	Gasket – PVC-Extruded (“B” Shape)	30 Ft.
13	01-1P1841-00002	Wall – Half Weldment	2
14	01-100V18-00144	Latch – Cam Lock	AR
15	01-100V18-00145	Receptacle – Cam Lock	AR
*16	01-100V21-00092	Gasket – PVC-Extruded (“B” Shape)	30 Ft.
*17	01-100V21-00092	Gasket – PVC-Extruded (“B” Shape)	30 Ft.
18	01-100V18-00144	Latch – Cam Lock	AR
19	01-1P1841-00001	Wall Assy. (RH)	AR
20	01-1P1997-00001	Channel – Base Side (30 In.)	2
21	01-1P1997-00004	Channel – Base Side (50 In.)	2
22	01-1P1997-00002	Channel – Base Side (63 In.)	2
23	01-1P1997-00005	Channel – Base Side (83 In.)	2
24	01-1P1997-00003	Channel – Base Side (96 In.)	2
25	01-1P1997-00006	Channel – Base Side (116 In.)	2
26	01-100V21-0005C	Caulk – Silicone (Clear) (Tube)	1
27	01-1P2017-00002	Floor (30 In. STD)	1
28	01-1P2017-0003L	Floor (50 In. STD, LH)	1
29	01-1P2017-0003R	Floor (50 In. STD, RH)	1
30	01-1P2037-0002P	Floor (30 In. Pass-Thru)	1
31	01-1P2037-0003P	Floor (50 In. Pass-Thru)	1
32	01-1P2017-0004R	Floor (63 In. STD, RH)	1
33	01-1P2017-0005R	Floor (83 In. STD, RH)	1
34	01-1P2017-0006R	Floor (96 In. STD, RH)	1
35	01-1P2017-0007R	Floor (116 In. STD, RH)	1
36	01-1P2037-004PR	Floor (63 In. Pass-Thru, RH)	1
37	01-1P2037-005PR	Floor (83 In. Pass-Thru, RH)	1
38	01-1P2037-006PR	Floor (96 In. Pass-Thru, RH)	1
39	01-1P2037-007PR	Floor (116 In. Pass-Thru, RH)	1
40	01-1P2017-00004	Floor (63 In. STD, LH)	1
41	01-1P2017-00005	Floor (83 In. STD, LH)	1
42	01-1P2017-00006	Floor (96 In. STD, LH)	1
43	01-1P2017-00007	Floor (116 In. STD, LH)	1
44	01-1P2037-0004P	Floor (63 In. Pass-Thru, LH)	1
45	01-1P2037-0005P	Floor (83 In. Pass-Thru, LH)	1
46	01-1P2037-0006P	Floor (96 In. Pass-Thru, LH)	1
47	01-1P2037-0007P	Floor (116 In. Pass-Thru, LH)	1
48	01-1000V4-00073	Anchor – Drop-In 1/4-20	AR
49	01-1000V4-0073A	Tool – Setting	1
50	01-1P1996-00002	Channel – Base Rear	1
51	01-1P1843-00003	Wall Assy. (LH)	AR
52	01-100V18-00145	Receptacle – Cam Lock	AR
*53	01-100V21-00092	Gasket – PVC-Extruded (“B” Shape)	30 Ft.
	01-100V15-00066	Plug – Button (1/2 In.)	AR
	01-100V15-00064	Plug – Push-In (Black)	AR
	01-1000V4-00009	Screw – Sheet Metal Hex Hd.	AR
	01-1000V4-00119	Self-Tapping Screw 3/8-16 x 1 Phil. Flat Hd.	AR

* Quantity Listed is Per Panel or Wall Assy.

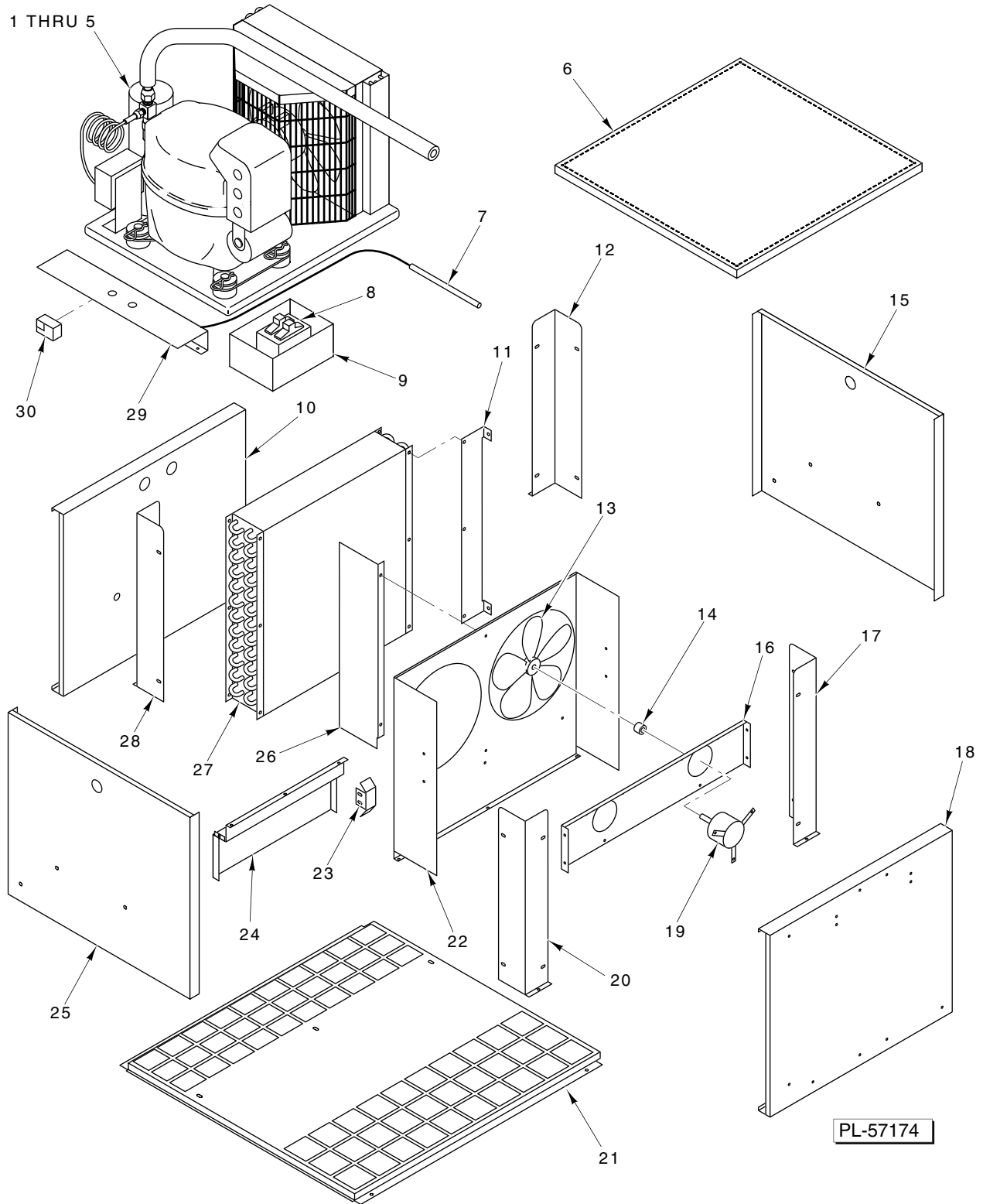


TRIM AND INTERIOR BUMPERS

TRIM AND INTERIOR BUMPERS

ILLUS. PL-57173	PART NO.	NAME OF PART	AMT.
1	01-100V16-00531	Logo – Hobart	1
2	01-1000V4-00019	Boot – Toggle Switch	1
3	01-1000V6-00151	Switch – Toggle (DPST)	1
4	01-1000V6-00236	Thermostat	1
5	01-1P2097-00003	Trim – Forward Lower	1
6	01-1P2096-00002	Trim – Forward Upper	1
7	01-1P2095-00002	Trim – Side (LH)	AR
8	01-1P2098-00001	Retainer – Forward Trim Assy.	2
9	01-1P2095-00001	Trim – Side (RH)	AR
10	01-1P1837-00002	Bumper (Per Panel)	1
11	01-1P1837-00003	Bumper (Per Panel) (1/2 Panel)	1
12	01-1P2013-00001	Bracket – Bumper Support (RH)	AR
13	01-1P2020-00001	Trim – Inner/Outer (Bottom) (30 In.)	AR
14	01-1P2020-00006	Trim – Inner/Outer (Bottom, 1/2 Panel) (50 In.)	1
15	01-1P2020-00004	Trim – Inner/Outer (Bottom) (63 In.)	AR
16	01-1P2020-00009	Trim – Inner/Outer (Bottom, 1/2 Panel) (83 In.)	AR
17	01-1P2020-00005	Trim – Inner/Outer (Bottom) (96 In.)	AR
18	01-1P2020-00010	Trim – Inner/Outer (Bottom, 1/2 Panel) (116 In.)	AR
19	01-1P2016-00001	Trim – Inner-Bottom	AR
20	01-1P2016-00002	Trim – Inner-Bottom (1/2 Panel)	AR
21	01-1P2020-00002	Trim – Inner/Outer (Bottom) (50 In.)	AR
22	01-1P2012-00001	Support – Bumper (RH)	AR
23	01-1P2012-00002	Support – Bumper (1/2 Panel)	AR
	01-1000V7-00019	Fixture – Light	AR
	01-1000V7-00002	Bulb – Light (40 W.)	AR

HR SERIES RETARDER REPLACEMENT PARTS



RETARDER UNIT

RETARDER UNIT

ILLUS. PL-57174	PART NO.	NAME OF PART	AMT.
1	01-100V17-00527	Union (1/2 FLGRD)	1
2	01-100V17-00528	Connector (1/2 Male)	1
3	01-100V24-00003	Coil – Solenoid (120 V.)	1
4	01-100V24-00006	Valve – Solenoid (3/8)	1
5	01-1000V5-00023	Pad – Mounting	5
6	01-1P2073-00002	Panel – Ceiling (Evaporator Assy.)	1
7	01-100V10-00229	Probe – Temperature	1
8	01-1000V6-00191	Circuit Breaker (15 Amp., 120/240 V.)	1
9	01-100V11-00139	Box – Breaker	1
10	01-1P2069-00002	Enclosure – Evaporator Assy.	1
11	01-1P2081-00002	Angle – Mounting (Evaporator)	2
12	01-1P2074-00002	Angle – Evaporator Enclosure	1
13	01-1000V8-00094	Blade – Fan	2
14	01-1P2082-00001	Hub – Adapter (Fan Blade)	2
15	01-1P2069-00001	Enclosure – Evaporator Assy.	1
16	01-1P2078-00002	Mount – Fan Motor	1
17	01-1P2074-00002	Angle – Evaporator Enclosure	1
18	01-1P2069-00002	Enclosure – Evaporator Assy.	1
19	01-1000V8-00062	Motor – Fan (115 V.)	2
20	01-1P2074-00002	Angle – Evaporator Enclosure	1
21	01-1P2079-00002	Grill – Exhaust	1
22	01-1P2075-00002	Shroud – Fan	1
23	01-1P2076-00002	Bracket – Shroud Guide	2
24	01-1P2080-00002	Pan – Drain	1
25	01-1P2069-00001	Enclosure – Evaporator Assy.	1
26	01-1P2077-00002	Baffle – Fan Shroud	1
27	01-100V24-00059	Coil – Evaporator	1
28	01-1P2074-00002	Angle – Evaporator Enclosure	1
29	01-1P2102-00001	Cover – Wiring	1
30	01-1000V6-00237	Timer	1
	01-100V17-00522	Adapter – Male 1/2 In. (CPVC)	1
	01-100V24-0030C	Condenser (6250 BTU/H)	1
	01-100V24-00071	Valve – Expansion (3/8 x 1/2 ODF)	1
	01-100V24-00004	Indicator – Moisture & Liquid	1
	01-100V24-00005	Filter – Drier	1

