



CATALOG OF REPLACEMENT PARTS

LUCKS PROOFER (1997-2004)

SD1
SD2
SD3
SD4

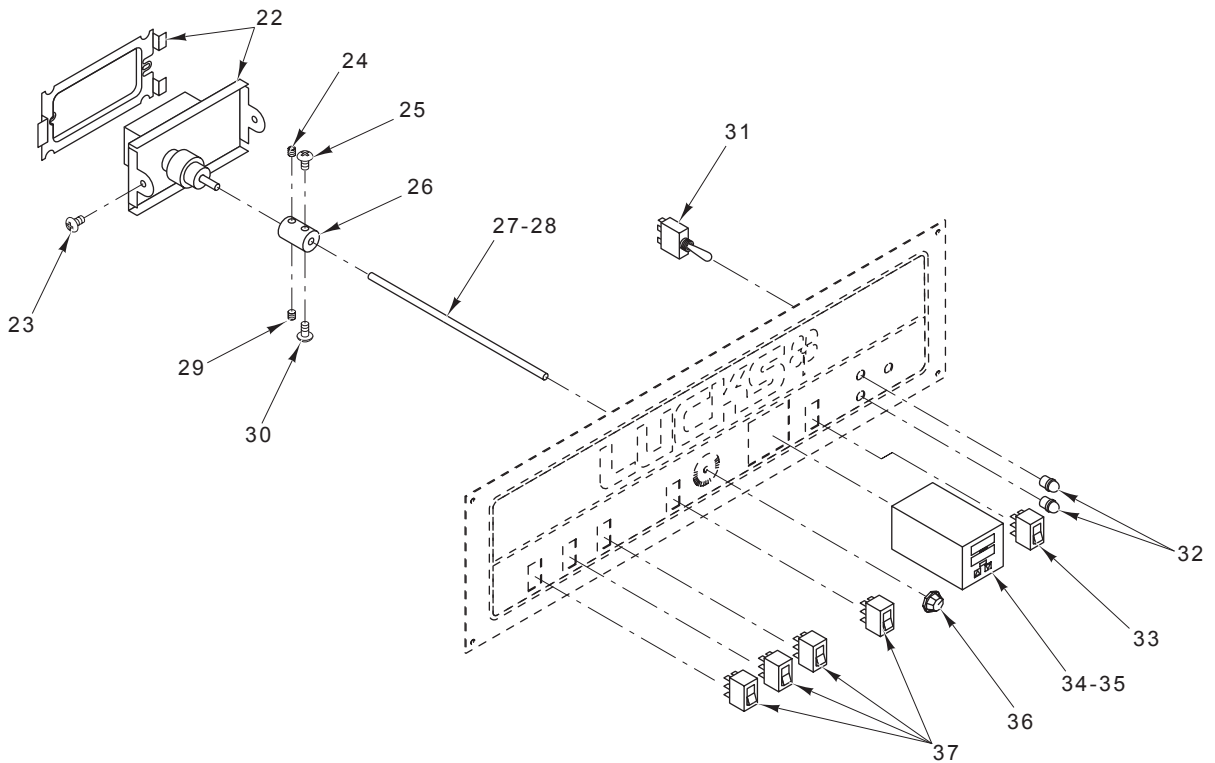
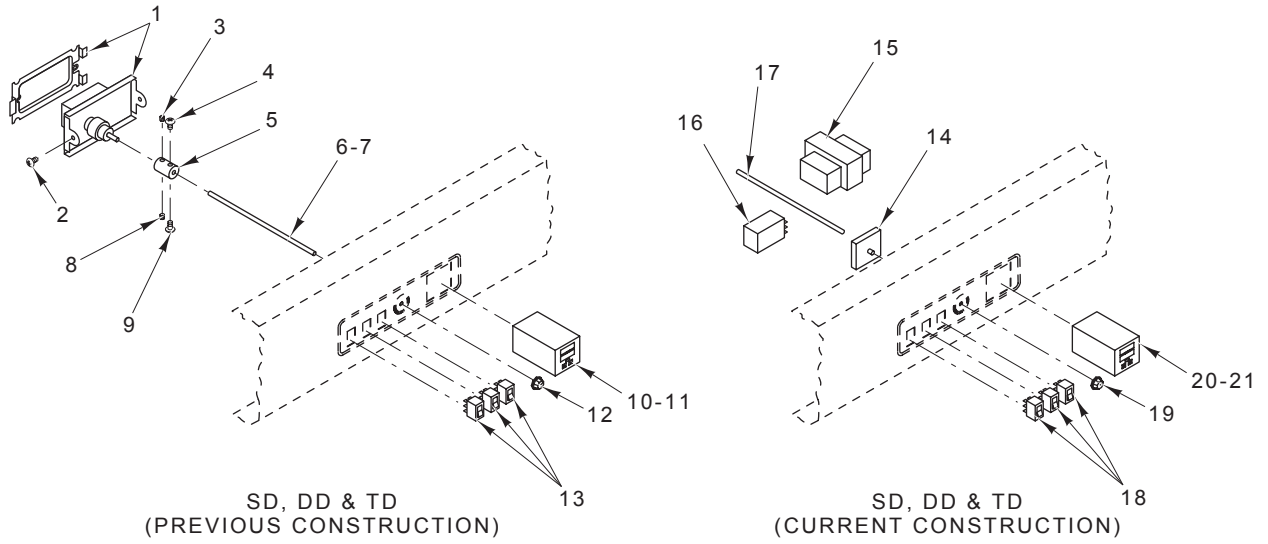
DD2
DD4
DD6
DD8

TD3
TD6
TD9

DPR-SD1
DPR-SD2

Table Of Contents

| | |
|----|----------------------------------|
| 5 | CONTROL PANEL |
| 7 | ELECTRICAL COMPONENTS |
| 9 | CABINET AND LIGHT |
| 11 | DOOR |
| 13 | HEAT ELEMENTS AND BLOWER |
| 15 | HUMIDITY TANK |
| 17 | HUMIDITY TANK FILL AND DISCHARGE |
| 19 | WATER SUPPLY |



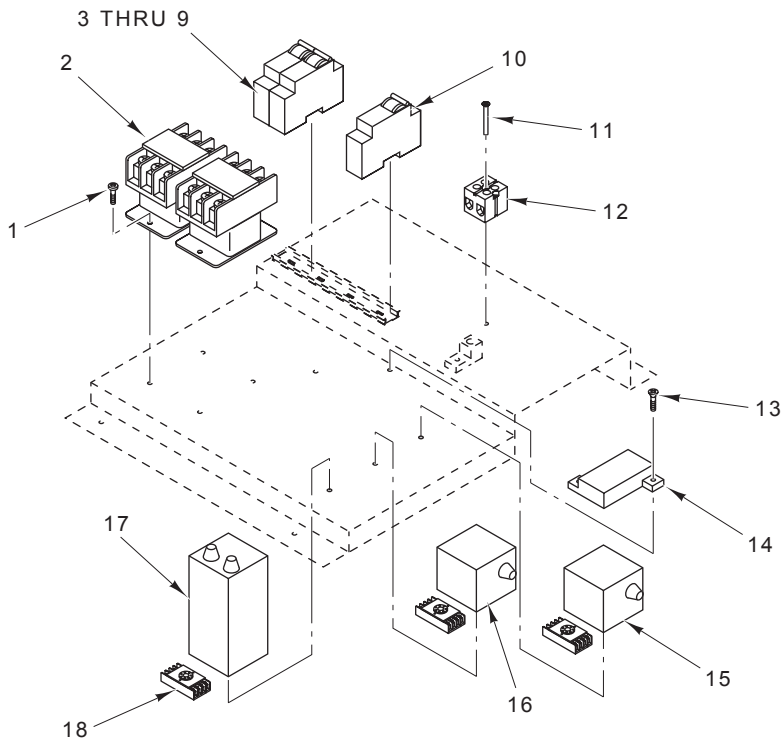
SD3/4, DD4/6/8, TD3/6/9, DPR-SD1/SD2

PL-57647

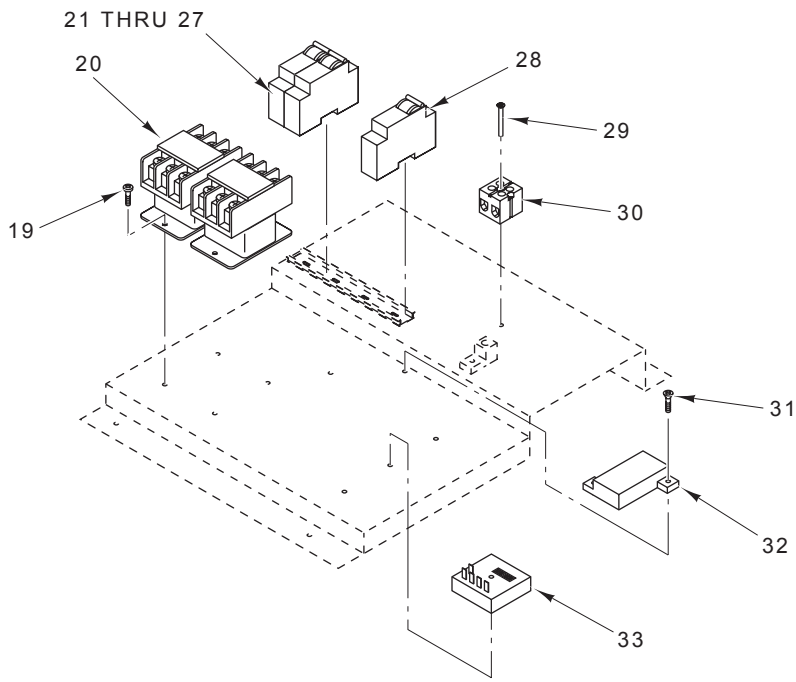
CONTROL PANEL

CONTROL PANEL

| ILLUS. PL-57647 | PART NO. | NAME OF PART | AMT. |
|--------------------|-----------|---|------|
| 1 | 01-072029 | Humidistat Assy. (W43A14) (1970-2000) (Incls. Items 2, 3, 4, 5, 7, & 8) | 1 |
| 2 | - | Mach. Screw 6-32 x 1/4 Phil. Rd. Hd. (SST) | 3 |
| 3 | - | Set Screw 6-32 x 3/16 (SST) | 1 |
| 4 | - | Mach. Screw 6-32 x 1/4 Phil. Rd. Hd. (SST) | 1 |
| 5 | 01-070106 | Coupling – Control Rod (Humidistat) (1970-1999) | 1 |
| 6 | 01-170076 | Rod – Humidistat 15 In. (1970-1999) | 1 |
| 7 | 01-170377 | Rod – Humidistat 16.25 In. (1999-2000) | 1 |
| 8 | - | Set Screw 6-32 x 3/16 (SST) | 1 |
| 9 | - | Mach. Screw 6-32 x 1/4 Phil. Rd. Hd. (SST) | 1 |
| 10 | 01-206580 | Thermostat (120 V.) (Ogden ETR9090) (1990-2003) | 1 |
| 11 | 01-080109 | Thermocouple – Thermostat (1990-2003) | 1 |
| 12 | 01-075078 | Knob – Control Panel (Humidistat) (1970-2003) | 1 |
| 13 | 01-205203 | Switch – Rocker (Red Lighted) (Power) (1970-2003) | 3 |
| 14 | 01-207646 | Humidistat – Digital Control (2001-2004) | 1 |
| 15 | 01-207647 | Transformer (120/24, 40 VA) (2001-2004) | 1 |
| 16 | 01-207798 | Relay DPDT (124 VAC Coil, 30 Amp.) | 1 |
| 17 | 01-206784 | Sensor – Humidity | 1 |
| 18 | 01-205203 | Switch – Rocker (Red Lighted) (Power) | 3 |
| 19 | 01-075078 | Knob – Control Panel (Humidistat) | 1 |
| 20 | 01-206580 | Thermostat (120 V.) (Ogden ETR9090) | 1 |
| 21 | 01-080109 | Thermocouple – Thermostat "J" x 5 Ft. | 1 |
| 22 | 01-072029 | Humidistat Assy. (W43A14) (1970-2000) (Incls. Items 23 thru 26, 29, & 30) | 1 |
| 23 | - | Mach. Screw 6-32 x 1/4 Phil. Rd. Hd. (SST) | 3 |
| 24 | - | Set Screw 6-32 x 3/16 (SST) | 1 |
| 25 | - | Mach. Screw 6-32 x 1/4 Phil. Rd. Hd. (SST) | 1 |
| 26 | 01-070106 | Coupling – Control Rod – Humidistat (1970-1999) | 1 |
| 27 | 01-170076 | Rod – Humidistat 15 In. (1970-1999) | 1 |
| 28 | 01-170377 | Rod – Humidistat 16.25 In. (1999-2000) | 1 |
| 29 | - | Set Screw 6-32 x 3/16 (SST) | 1 |
| 30 | - | Mach. Screw 6-32 x 1/4 Phil. Rd. Hd. (SST) | 1 |
| 31 | 01-071087 | Switch – Toggle Momen/N.C. (1970-1999) | 1 |
| 32 | 01-205207 | Light – Green Neon Round (250 V.) | 2 |
| 33 | 01-205203 | Switch – Rocker (Red Lighted) (Power) (1970-2003) | 1 |
| 34 | 01-206580 | Thermostat (120 V.) (Ogden ETR9090) (1970-2003) | 1 |
| 35 | 01-080109 | Thermocouple – Thermostat "J" x 5 Ft. (1970-2003) | 1 |
| 36 | 01-075078 | Knob – Control Panel (Humidistat) (1970-2003) | 1 |
| 37 | 01-205203 | Switch – Rocker (Red Lighted) (Power) (1970-2003) | 4 |
| | 01-070150 | Coupling – Humidistat (Modified) | 1 |



PREVIOUS CONSTRUCTION



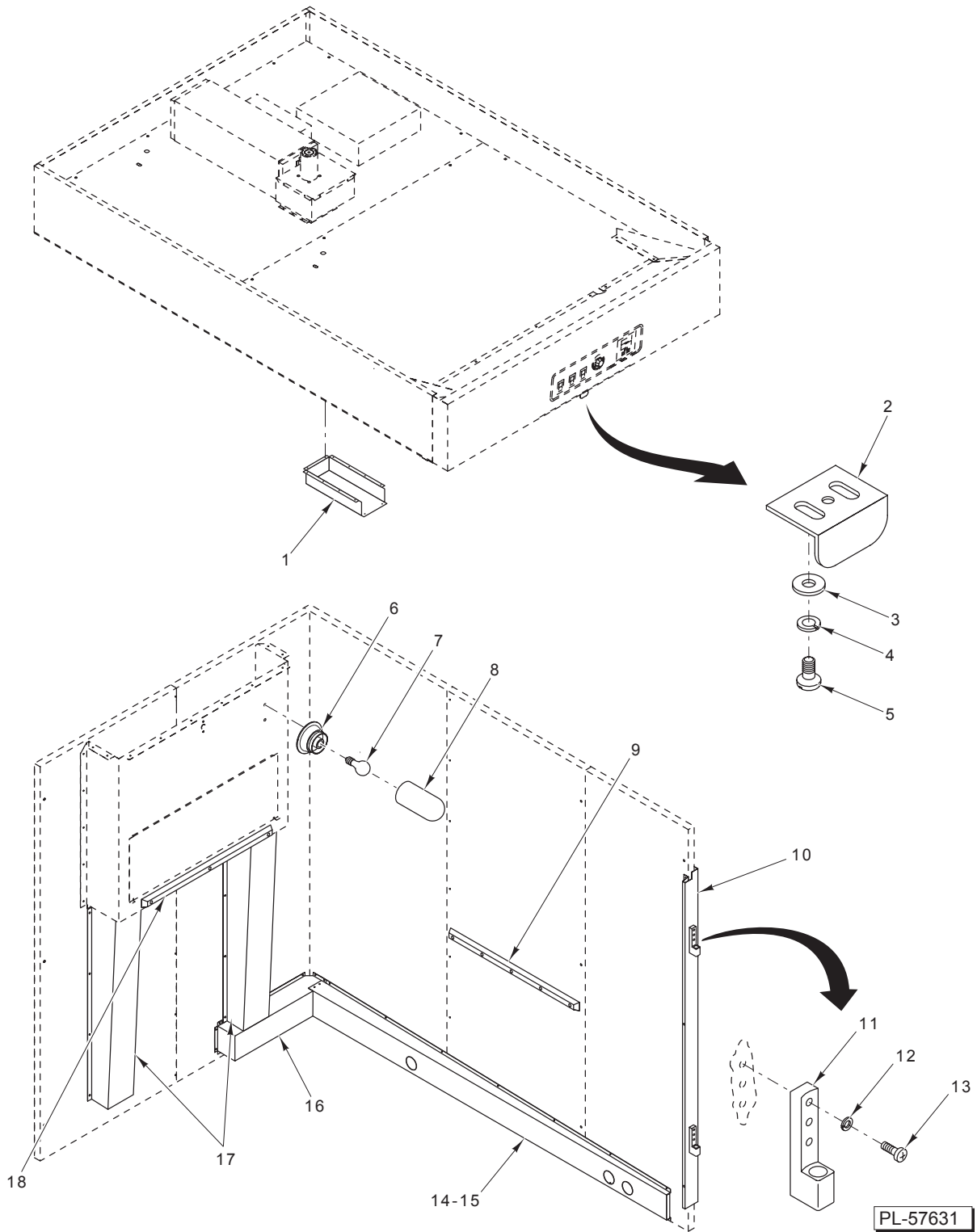
CURRENT CONSTRUCTION

PL-57645

ELECTRICAL COMPONENTS

ELECTRICAL COMPONENTS

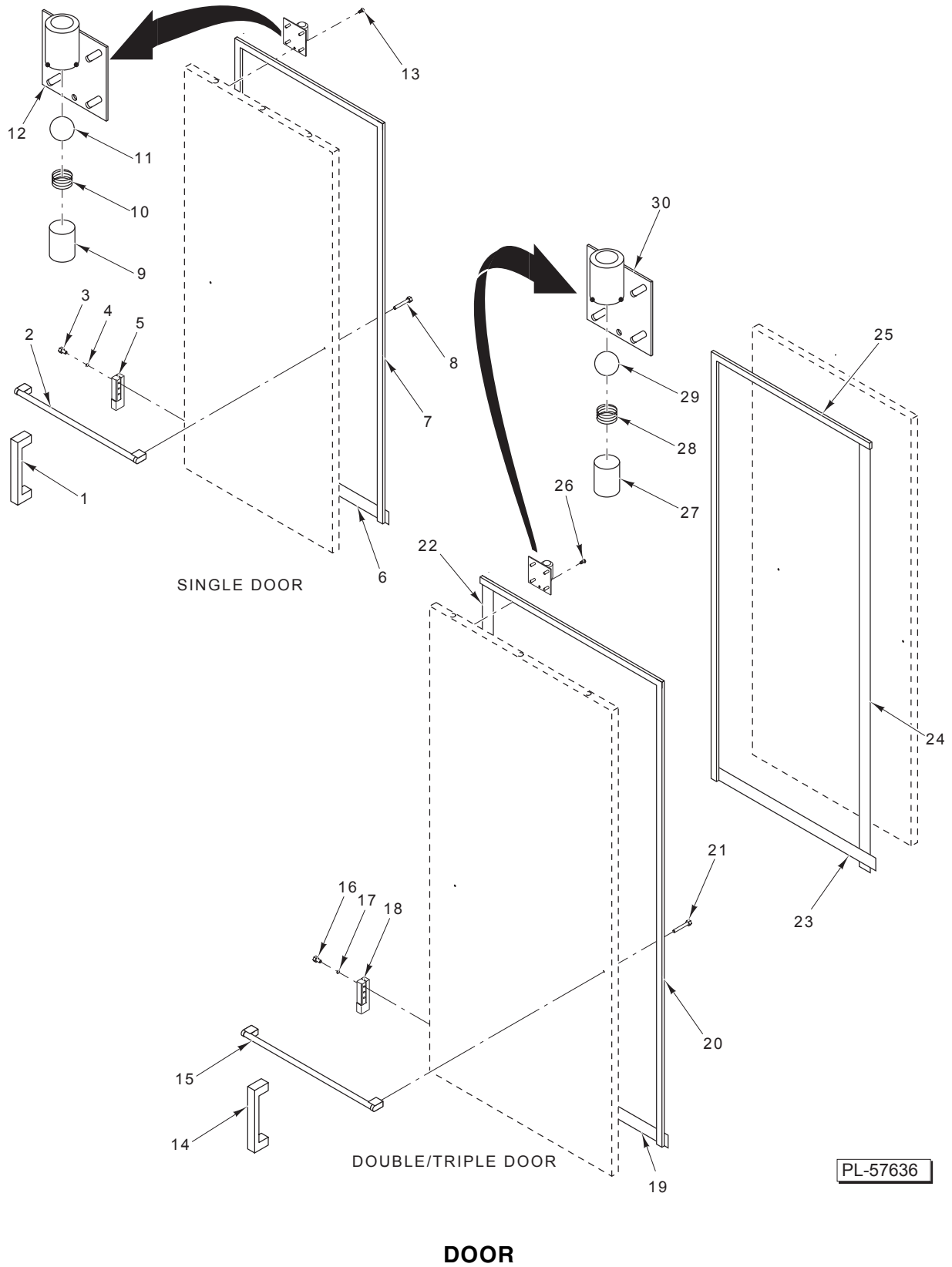
| ILLUS. PL-57645 | PART NO. | NAME OF PART | AMT. |
|--------------------|-----------|--|------|
| 1 | - | Screw 10-16 x 3/4 Phil. Pan Hd. | 4 |
| 2 | 01-205213 | Contactor (120 V. Coil) | 2 |
| 3 | 01-206987 | Circuit Breaker – Humidity (16 Amp., 3 Ph.) (2000-2004) | 1 |
| 4 | 01-206990 | Circuit Breaker – Dry Heat (32 Amp., 3 Ph.) | 1 |
| 5 | 01-206695 | Circuit Breaker – Dry Heat (25 Amp., 2 Ph.) | 1 |
| 6 | 01-207180 | Circuit Breaker – Humidity (25 Amp., 2 Ph.) | 1 |
| 7 | 01-207181 | Circuit Breaker – Humidity (32 Amp., 2 Ph.) | 1 |
| 8 | 01-206694 | Circuit Breaker – Dry Heat (63 Amp., 2 Ph.) | 1 |
| 9 | 01-206914 | Circuit Breaker – Dry Heat (220-480 V., 20 Amp., 3 Ph.) (1990-2003) | 1 |
| 10 | 01-206919 | Circuit Breaker – Control (6 Amp., 1 Ph.) (1999-2003) | 1 |
| 11 | - | Mach. Screw 8-32 x 1 1/2 Phil. Flat Hd. (Zinc) | 1 |
| 12 | 01-207004 | Terminal Block – HD (85 Amp.) (1999-2004) | 1 |
| 13 | - | Mach. Screw 8-32 x 1 1/2 Phil. Flat Hd. (Zinc) | 2 |
| 14 | 01-206868 | Terminal Block – Quick Connect (18 P) (1999-2003) | 1 |
| 15 | 01-207812 | Timer – Delay on Break (Fill After Flush Timer) (Replaces P/N 01-206444) (1970-1999) | 1 |
| 16 | 01-207794 | Timer – Repeat Cycle (Fill Timer) (Replaces P/N 01-206443) (1970-1999) | 1 |
| 17 | 01-075050 | Timer – Adjustable Solid State (Flush Timer) CKK (1970-1999) | 1 |
| 18 | 01-206438 | Socket 8 Pin | 3 |
| 19 | - | Screw 10-16 x 3/4 Phil. Pan Hd. | 4 |
| 20 | 01-205213 | Contactor (120 V. Coil) | 2 |
| 21 | 01-206987 | Circuit Breaker – Humidity (16 Amp., 3 Ph.) (2000-2004) | 1 |
| 22 | 01-206990 | Circuit Breaker – Dry Heat (32 Amp., 3 Ph.) | 1 |
| 23 | 01-206695 | Circuit Breaker – Dry Heat (25 Amp., 2 Ph.) | 1 |
| 24 | 01-207180 | Circuit Breaker – Humidity (25 Amp., 2 Ph.) | 1 |
| 25 | 01-207181 | Circuit Breaker – Humidity (32 Amp., 2 Ph.) | 1 |
| 26 | 01-206694 | Circuit Breaker – Dry Heat (63 Amp., 2 Ph.) | 1 |
| 27 | 01-206914 | Circuit Breaker – Dry Heat (220-480 V., 20 Amp., 3 Ph.) (1990-2003) | 1 |
| 28 | 01-206919 | Circuit Breaker – Control (6 Amp., 1 Ph.) (1999-2003) | 1 |
| 29 | - | Mach. Screw 8-32 x 1 1/2 Phil. Flat Hd. (Zinc) | 1 |
| 30 | 01-207004 | Terminal Block – HD (85 Amp.) (1999-2004) | 1 |
| 31 | - | Mach. Screw 8-32 x 1 1/2 Phil. Flat Hd. (Zinc) | 2 |
| 32 | 01-206868 | Terminal Block – Quick Connect (18 P) (1999-2003) | 1 |
| 33 | 01-207158 | Timer – Flush/Fill (2001-2004) | 1 |



CABINET AND LIGHT

CABINET AND LIGHT

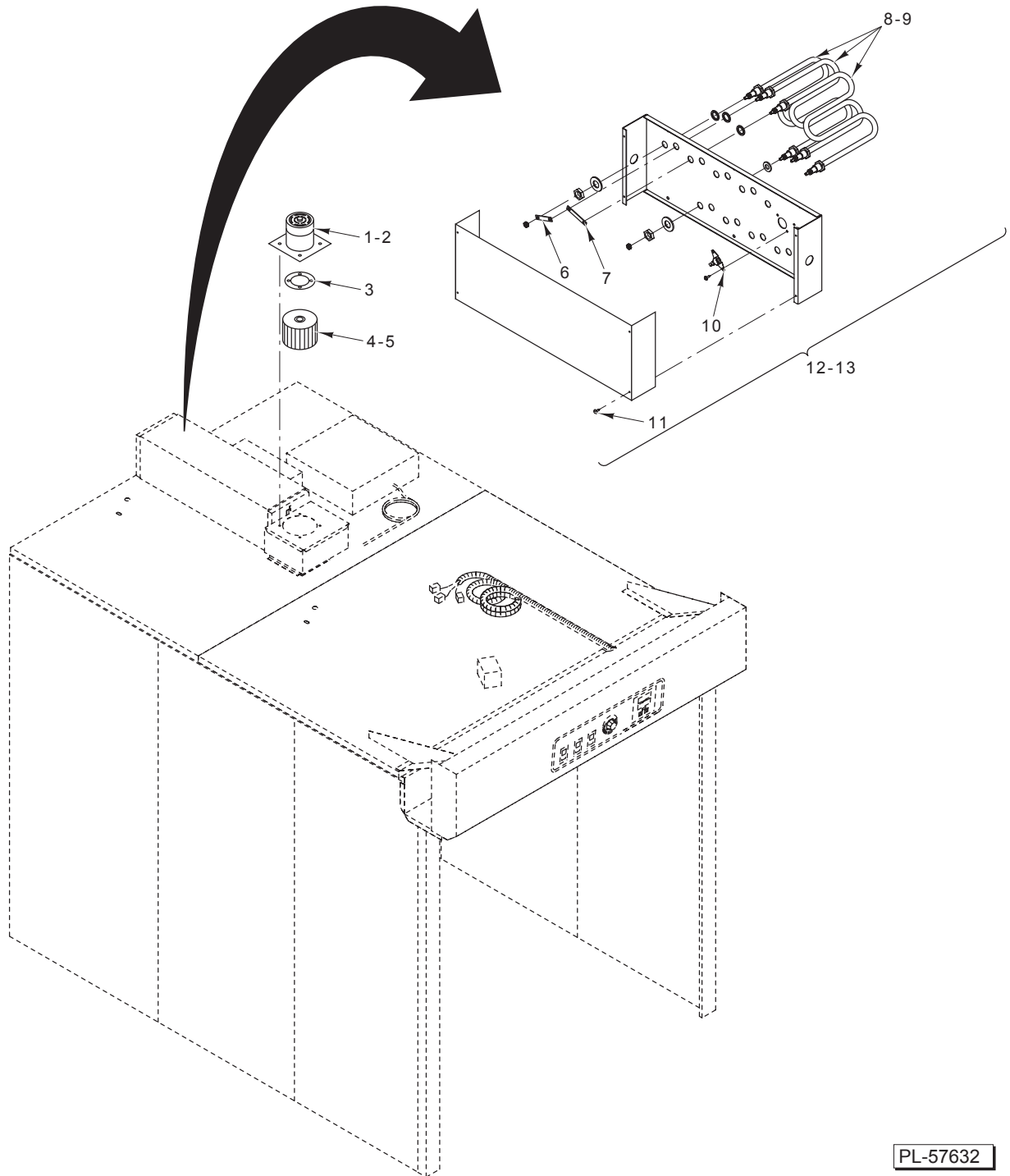
| ILLUS. | PART NO. | NAME OF PART | AMT. |
|----------|-----------|--|------|
| PL-57631 | | | |
| 1 | 01-170155 | Duct – Ceiling Return (DD-6) | 1 |
| 2 | 01-170045 | Strike Plate – Door Latch (1970-2004) | 1 |
| 3 | - | Washer 1/4 | 2 |
| 4 | - | Lockwasher | 2 |
| 5 | - | Mach. Screw 1/4-20 x 3/4 | 2 |
| 6 | 01-206788 | Fixture – Light (No Globe) (1970-2004) | 1 |
| 7 | 01-205133 | Bulb – Light (75 W. Halog/Frosted) (1970-1999) | 1 |
| 8 | 01-206787 | Globe – Light Fixture (1970-2004) | 1 |
| 9 | 01-071401 | Rail – Bumper 40 In. | AR |
| 10 | 01-170994 | Jamb – Door (Left Hinged) | 1 |
| 11 | 01-205798 | Hinge – Edge Mount Cam-Rise (1970-2003) | 2 |
| 12 | 01-205538 | Lockwasher #10 (Zinc Plated) | 3 |
| 13 | 01-207047 | Mach. Screw 10-32 x 1 1/4 | 3 |
| 14 | 01-170156 | Duct – Plenum LH & RH (DD-6) | 1 |
| 15 | - | Screw 10-16 x 1/2 TEK | AR |
| 16 | 01-170175 | Duct – Plenum (Horizontal) RH (TD-6/9) | 1 |
| 17 | 01-170157 | Duct – Plenum Distributor (DD-6/8) | 2 |
| 18 | 01-175011 | Rail – Bumper 28 In. DD/TD (2002) | AR |
| | 01-170389 | Shear Plate – Proofer Hinge | 1 |
| | 01-070027 | Kit – Door Hinge Repair | 1 |
| | 01-175020 | Kit – Fastener DD4 | 1 |
| | 01-170177 | Air Deflector – Plenum Horizontal Duct (TD-9) | 1 |
| | 01-170573 | Plate – Door Hinge Back | 1 |



PL-57636

DOOR

| ILLUS. PL-57636 | PART NO. | NAME OF PART | AMT. |
|--------------------|-----------|---|------|
| 1 | 01-075148 | Handle – Door (12 In. W/Black Strip) SR/DR/MISL/DD/TD (1970-2003) | 1 |
| 2 | 01-207436 | Handle – Door (2002-2004) | 1 |
| 3 | 01-207047 | Mach. Screw 10-32 x 1 1/4 | 3 |
| 4 | 01-205538 | Lockwasher #10 (Zinc Plated) | 3 |
| 5 | 01-205798 | Hinge – Edge Mount Cam-Rise (1970-2003) | 2 |
| 6 | 01-170051 | Gasket – Door Sweep SD/LH & RH (1970-2004) | 1 |
| 7 | 01-175013 | Gasket – Door, “U”, Side/Top/Side (SD/LH & RH) (1970-2004) | 1 |
| 8 | - | Screw 1/4-20 x 3 1/2 Truss Hd. | 2 |
| 9 | 01-070266 | Slug – Ball Latch 1 In. Dia. X 1.00 | 1 |
| 10 | 01-075135 | Spring – Latch 1 In. Lg. (SST) | 1 |
| 11 | 01-075137 | Ball – Latch 1 In. (SST) | 1 |
| 12 | 01-071034 | Ball Latch – Adjustable Tension (1970-2004) (Incls. Items 9, 10, & 11) | 1 |
| 13 | - | Screw 10-16 x 1/2 TEK | 4 |
| 14 | 01-075148 | Handle – Door (12 In. W/Black Strip) SR/DR/MISL/DD/TD (1970-2003) | 1 |
| 15 | 01-207436 | Handle – Door (2002-2004) | 1 |
| 16 | 01-207047 | Mach. Screw 10-32 x 1 1/4 | 3 |
| 17 | 01-205538 | Lockwasher #10 (Zinc Plated) | 3 |
| 18 | 01-205798 | Hinge – Edge Mount Cam-Rise (1970-2003) | 2 |
| 19 | 01-170051 | Gasket – Door DD/TD Sweep (1970-2004) | 1 |
| 20 | 01-175004 | Gasket – Door DD/TD LH, “L”, Top and Side (1970-2004) | 2 |
| 21 | - | Screw 1/4-20 x 3 1/2 Truss Hd. | 2 |
| 22 | 01-170052 | Gasket – Door – DD/TD Side/Center Sweep (1970-2004) | 1 |
| 23 | 01-170051 | Gasket – Door Sweep DD/TD(1970-2004) | 1 |
| 24 | 01-170052 | Gasket – Door – Side/Center Sweep DD/TD (1970-2004) | 1 |
| 25 | 01-175003 | Gasket – Door RH, “L”, Top and Side DD /TD (1970-2004) | 2 |
| 26 | - | Screw 10-16 x 1/2 TEK | 4 |
| 27 | 01-070266 | Slug – Ball Latch 1 In. Dia. X 1.00 | 1 |
| 28 | 01-075135 | Spring – Latch 1 In. Lg. (SST) | 1 |
| 29 | 01-075137 | Ball – Latch 1 In. (SST) | 1 |
| 30 | 01-071034 | Ball Latch – Adjustable Tension (1970-2004) (Incls. Items 27, 28, & 29) | 1 |
| | 01-205602 | Cam – Hinge (Nylon) (1970-2003) | 2 |
| | 01-170064 | Nut Plate – Door Hinge | 1 |
| | 01-170259 | Shim Plate – Hinge Edge Mount | 1 |
| | 01-075138 | Latch – Plenum Door (DPR) (1970-1999) | 1 |
| | 01-075147 | Handle – Door DPR (Small) (1970-1999) | 1 |

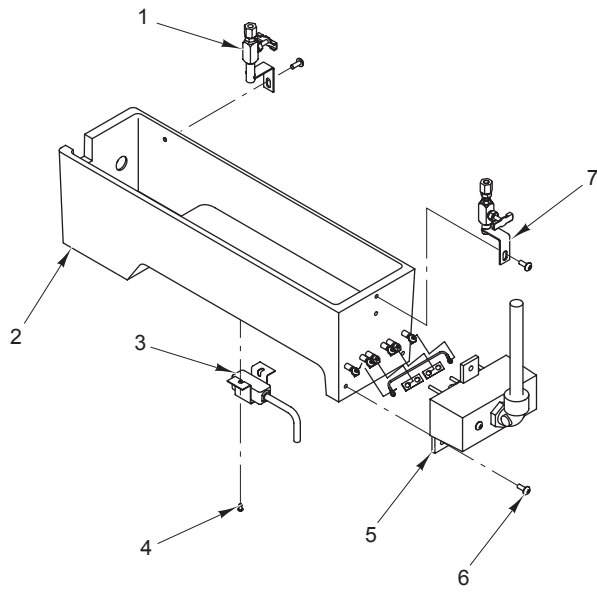


PL-57632

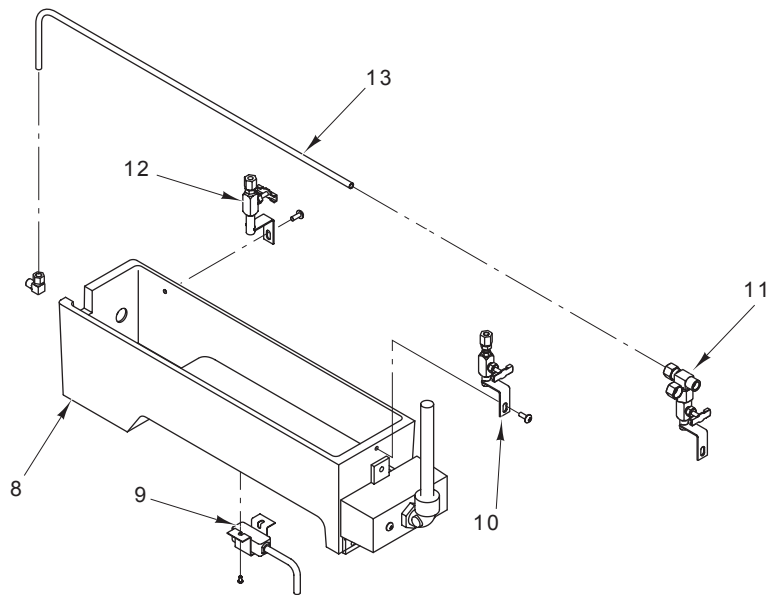
HEAT ELEMENTS AND BLOWER

HEAT ELEMENTS AND BLOWER

| ILLUS. | PART NO. | NAME OF PART | AMT. |
|----------|-----------|---|------|
| PL-57632 | | | |
| 1 | 01-075158 | Motor – Blower Assy. (PB-Large) (50/60 Hz., 3.2/2.8 V.) (1970-2003) | 1 |
| 2 | 01-075157 | Motor – Blower Assy. (PB-Small) (1970-1999) | 1 |
| 3 | 01-075160 | Gasket – Blower (2002-2003) | 1 |
| 4 | 01-075155 | Impeller – Blower Assy. (PB-Small & DPR) (1970-1999) | 1 |
| 5 | 01-075156 | Impeller – Blower Assy. (PB-Large) (1970-2003) | 1 |
| 6 | 01-205246 | Bus Bar ³ / ₈ In. W 1 ¹ / ₂ Spacing | 7 |
| 7 | 01-205248 | Bus Bar ³ / ₈ In. W 1 ⁷ / ₈ Spacing | 7 |
| 8 | 01-075170 | Element – Dry Heat (SS) (208 V., 1000 W.) (1970-2003) | 9 |
| 9 | 01-075172 | Element – Dry Heat (SS) (277 V., 1000 W.) (1970-2003) | 9 |
| 10 | 01-075037 | High Limit – Dry Heat (250F SPST Auto) (L36-122) (1970-2003) | 1 |
| 11 | - | Screw TEK 10-16 x ¹ / ₂ Phil. Hd. (SST) | 8 |
| 12 | 01-172142 | Element Assy. – Dry Heat (208-240 V., 3 Ph.) (9 Elements) (1970-1999) | 1 |
| 13 | 01-172152 | Element Assy. – Dry Heat (480 V., 3 Ph.) (9 Element) | 1 |



(PREVIOUS CONSTRUCTION)



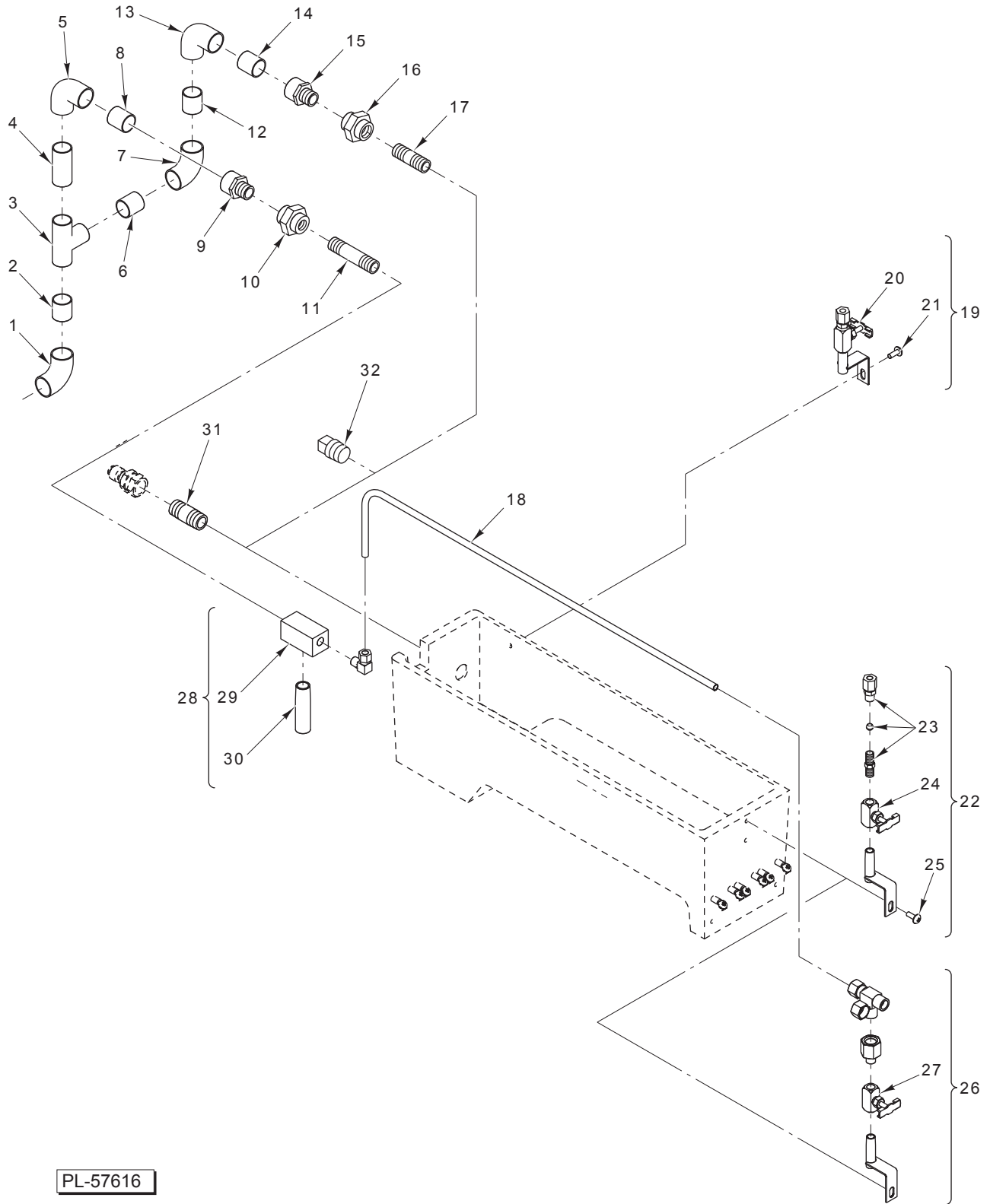
(CURRENT CONSTRUCTION)

PL-57614

HUMIDITY TANK

HUMIDITY TANK

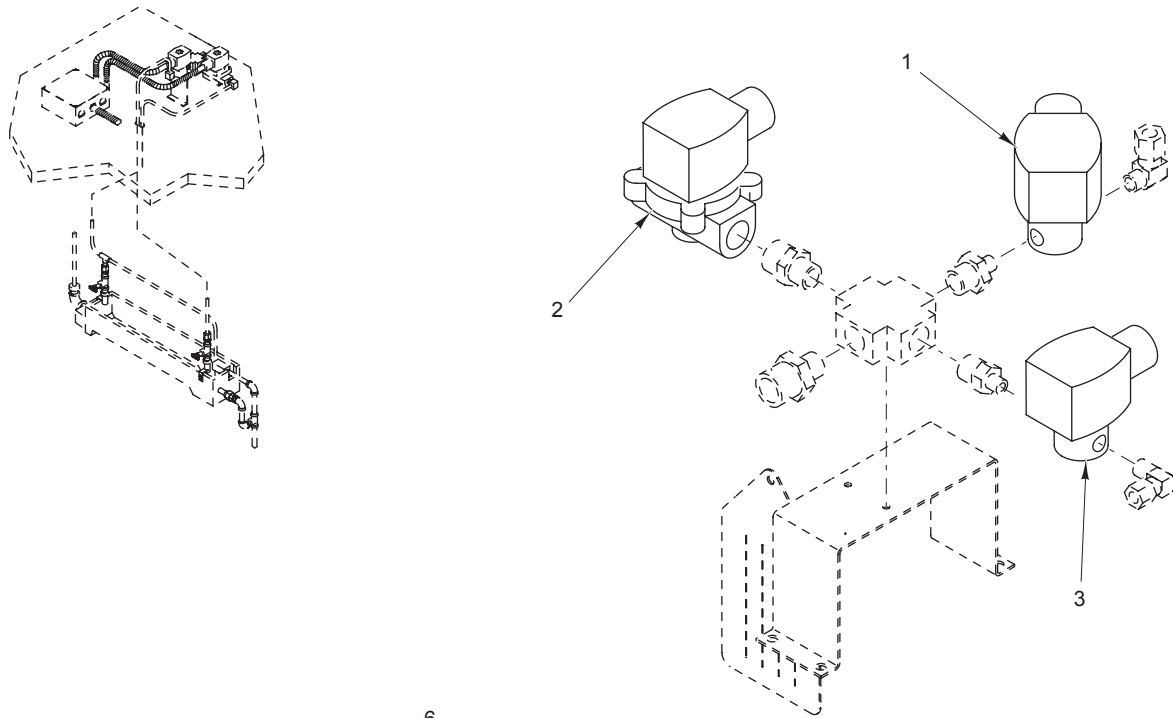
| ILLUS. | PART NO. | NAME OF PART | AMT. |
|----------|-----------|---|------|
| PL-57614 | | | |
| 1 | 01-071090 | Pipe Assy. – Fill (1970-2000) | 1 |
| 2 | 01-071144 | Humidity Tank Assy. (TD 5 x 18) (208 V., 3 Ph., 3.9 kW) (1970-2000) | 1 |
| 3 | 01-172278 | High Limit Assy. – Humidity (1970-2003) | 1 |
| 4 | - | Mach. Screw 6-32 x 1/4 Phil. Pan Hd. (SST) | 2 |
| 5 | 01-070743 | Cover Assy. – Humidity Tank TD 5 x 24 (208 V., 3 Ph., 3.9 kW) (1970-2000) | 1 |
| 6 | - | Mach. Screw 10-32 x 1/2 Phil. Hd. (SST) | 5 |
| 7 | 01-071090 | Pipe Assy. – Fill (1970-2000) | 1 |
| 8 | 01-172263 | Humidity Tank Assy. (TD 5 x 24) (208 V., 3 Ph., 3.9 kW) (1970-2004) | 1 |
| 9 | 01-172278 | High Limit Assy. – Humidity (1970-2003) | 1 |
| 10 | 01-071090 | Pipe Assy. – Fill | 1 |
| 11 | 01-172620 | Pipe Assy. – Flush Line (1970-2003) | AR |
| 12 | 01-071090 | Pipe Assy. – Fill | 1 |
| 13 | 01-220110 | Tubing 3/8 In. (25 In. Lg.) | 1 |
| | 01-172615 | Humidity Tank Assy. (TD 5 x 18) (208 V., 3 Ph., 3.9 kW) (1970-2004) | 1 |
| | 01-072148 | Humidity Tank Assy. (TD 5 x 24) (480 V., 3 Ph., 3.9 kW) (1970-1999) | 1 |
| | 01-072004 | Humidity Tank Assy. (TD 5 x 24) (208 V., 3 Ph., 3.9 kW) (1970-1999) | 1 |
| | 01-071207 | Humidity Tank Assy. (TD 5 x 24) (277 V., 3 Ph., 5.0 kW) (1999-2000) | 1 |
| | 01-072148 | Humidity Tank Assy. (TD 5 x 24) (277 V., 3 Ph., 3.9 kW) (1999-2000) | 1 |
| | 01-070600 | Humidity Tank Assy. (TD 5 x 24) (208 V., 3 Ph., 3.9 kW) (1970-2000) | 1 |
| | 01-172267 | Humidity Tank Assy. (TD 5 x 24) (277 V., 3 Ph., 3.9 kW) (1970-2000) | 1 |



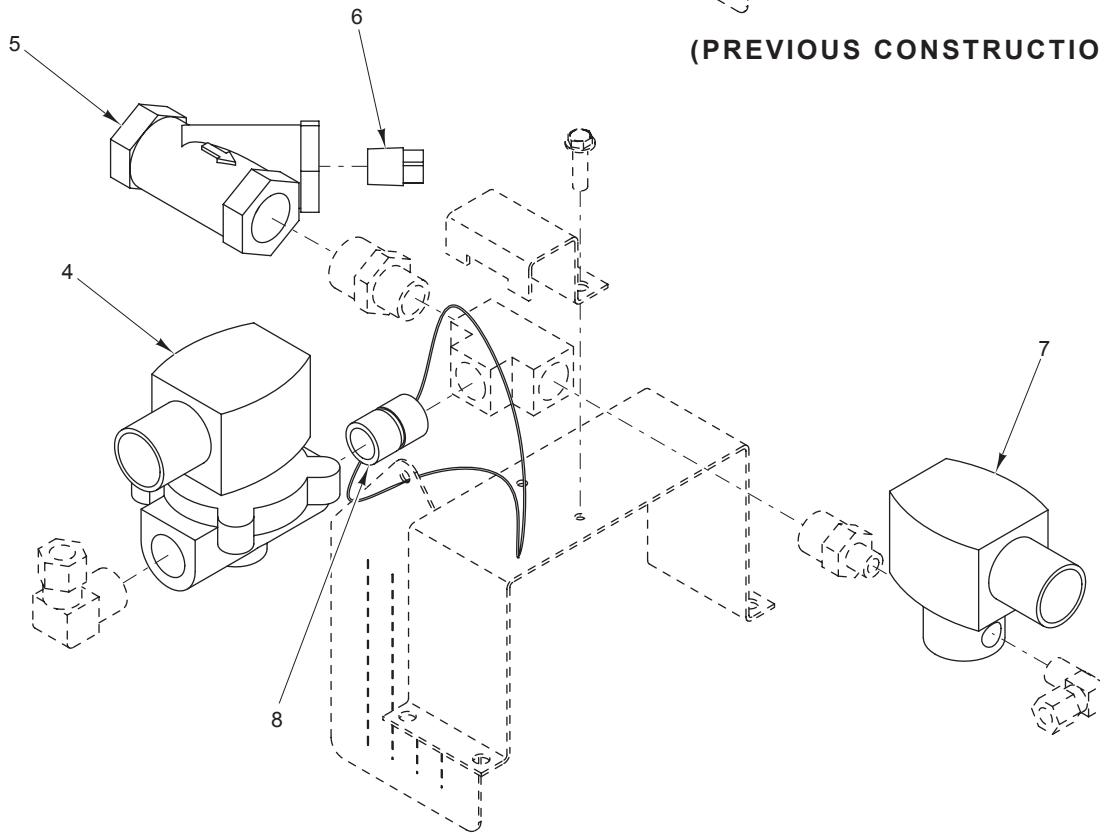
HUMIDITY TANK FILL AND DISCHARGE

HUMIDITY TANK FILL AND DISCHARGE

| ILLUS. PL-57616 | PART NO. | NAME OF PART | AMT. |
|--------------------|-----------|---|--------|
| 1 | 01-205978 | Elbow 90 Deg. (Copper) | 1 |
| 2 | 01-370050 | Tubing 3/4 x 1 (Copper) | 1 |
| 3 | 01-206148 | Tee 3/4T (Copper) | 1 |
| 4 | 01-370051 | Tubing 3/4 x 2 (Copper) | 1 |
| 5 | 01-205978 | Elbow 90 Deg. (Copper) | 1 |
| 6 | 01-370050 | Tubing 3/4 x 1 (Copper) | 1 |
| 7 | 01-205978 | Elbow 90 Deg. (Copper) | 1 |
| 8 | 01-370050 | Tubing 3/4 x 1 (Copper) | 1 |
| 9 | 01-205980 | Adapter – Male 3/4T x 1/2P | 1 |
| 10 | 01-205981 | Union 1/2 (Brass) | 1 |
| 11 | 01-206156 | Pipe 1/2 x 3 (SST) | 1 |
| 12 | 01-370050 | Tubing 3/4 x 1 (Copper) | 1 |
| 13 | 01-205978 | Elbow 90 Deg. (Copper) | 1 |
| 14 | 01-370050 | Tubing 3/4 x 1 (Copper) | 1 |
| 15 | 01-205980 | Adapter – Male 3/4T x 1/2P | 1 |
| 16 | 01-205981 | Union 1/2 (Brass) | 1 |
| 17 | 01-205060 | Pipe 1/2 x 1 1/2 (SST) | 1 |
| 18 | 01-220110 | Tubing 3/8 In. (25 In. Lg.) | 1 |
| 19 | 01-071090 | Pipe Assy. – Fill (1970-2000) (Incls. Items 20 & 21) | 1 |
| 20 | 01-205846 | Valve – Shut Off 1/8 In. (Brass) | 1 |
| 21 | - | Mach. Screw 10-32 x 1/2 Phil. Hd. (SST) | 1 |
| 22 | 01-071090 | Pipe Assy. – Fill (1970-2000) (Incls. Items 23 & 24) | AR |
| 23 | 01-205831 | Connector – Male Comp, 1/8P x 1/4T (Brass) | 1 |
| 24 | 01-205846 | Valve – Shut Off 1/8 In. (Brass) | 1 |
| 25 | - | Mach. Screw 10-32 x 1/2 Phil. Hd. (SST) | 1 |
| 26 | 01-172620 | Pipe Assy. – Flush Line (1970-2003) (Incls. Item 27) | AR |
| 27 | 01-205846 | Valve – Shut Off 1/8 In. (Brass) | 1 |
| 28 | 01-072118 | Venturi Assy. – Flush System (1970-2003) (Incls. Items 29 & 30) | 1 |
| 29 | 01-070388 | Pipe – Half 1/2 x 3 (SST) | 1 |
| 30 | 01-070260 | Block | 1 |
| 31 | 01-205058 | Pipe 3/8 x 1 1/2 (SST) | 1 |
| 32 | 01-206251 | Plug – Pipe 1/2 In. (Brass) DP 5 x 18 Tank | 1 |
| | 01-071310 | Pipe Assy. – Humidity Tank Discharge (1999-2003) (Incls. Items 1 thru 17) | 1 |
| | 01-220110 | Tube 3/8 In. (Humidity Tank Assy. 01-172615) | 18 In. |
| | 01-220110 | Tube 3/8 In. (Humidity Tank Assy. 01-172263) | 25 In. |



(PREVIOUS CONSTRUCTION)



(CURRENT CONSTRUCTION)

PL-57613

WATER SUPPLY

WATER SUPPLY

| ILLUS. | PART NO. | NAME OF PART | AMT. |
|----------|-----------|---|------|
| PL-57613 | | | |
| 1 | 01-075190 | Valve – Water Solenoid 1/8 In. (120 V.) (Fill Valve) | 1 |
| 2 | 01-206416 | Valve – Water Solenoid 3/8 In. (120 V.) (Flush Valve) | 1 |
| 3 | 01-075190 | Valve – Water Solenoid 1/8 In. (120 V.) (Fill Valve) | 1 |
| 4 | 01-206416 | Valve – Water Solenoid 3/8 In. (120 V.) (Flush Valve) | 1 |
| 5 | 01-207555 | Y-Strainer 1/2 In. (Bronze) | 1 |
| 6 | 01-207556 | Plug – Pipe 1/4 In. (Brass) | 1 |
| 7 | 01-075190 | Valve – Water Solenoid 1/8 In. (120 V.) (Fill Valve) | 1 |
| 8 | 01-205924 | Pipe 3/8 x CL (Brass) | 1 |

