

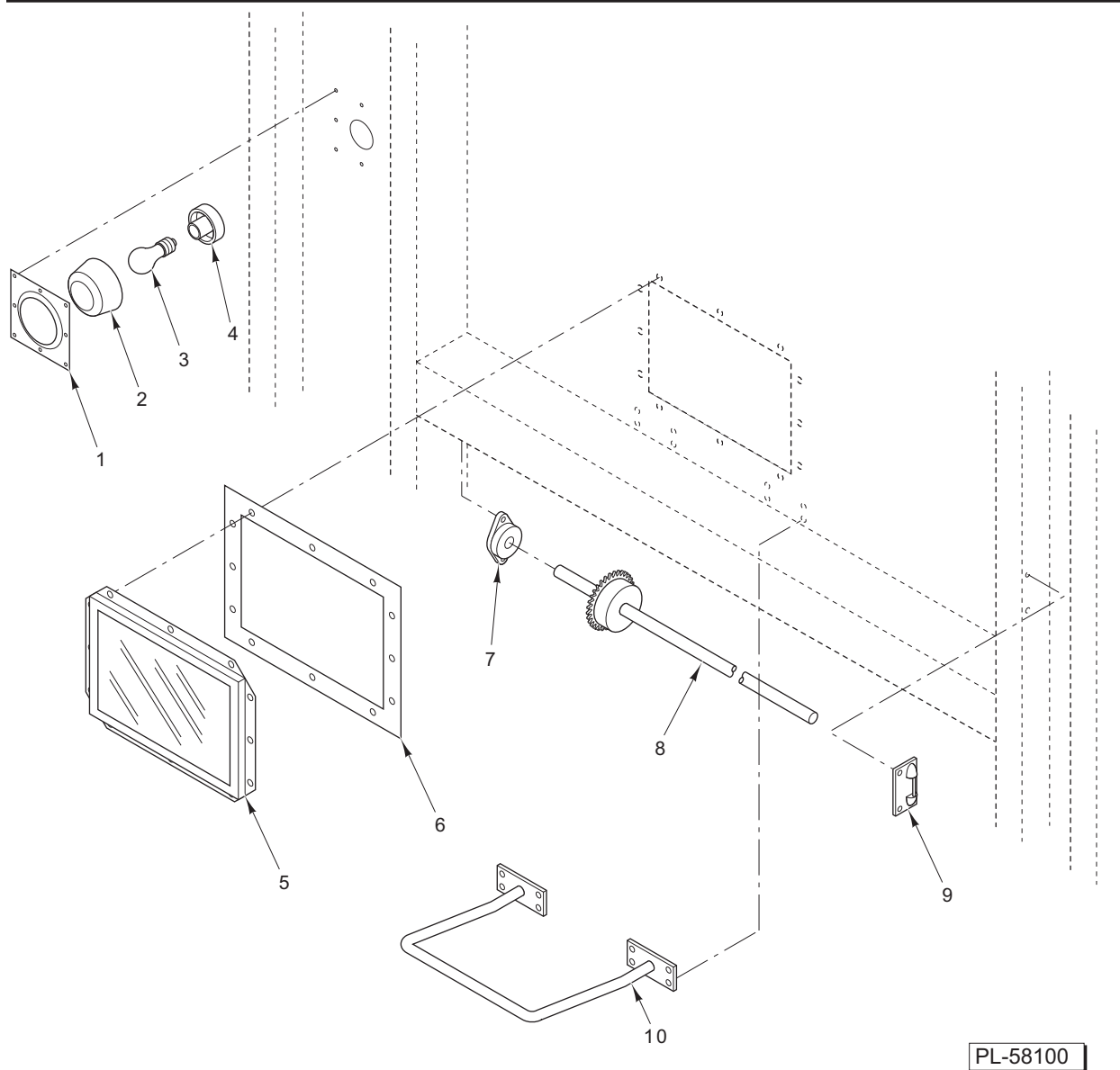


**CATALOG OF
REPLACEMENT
PARTS**

**LUCKS
REVOLVING TRAY OVENS**
(All Gas Heated Models)

TABLE OF CONTENTS

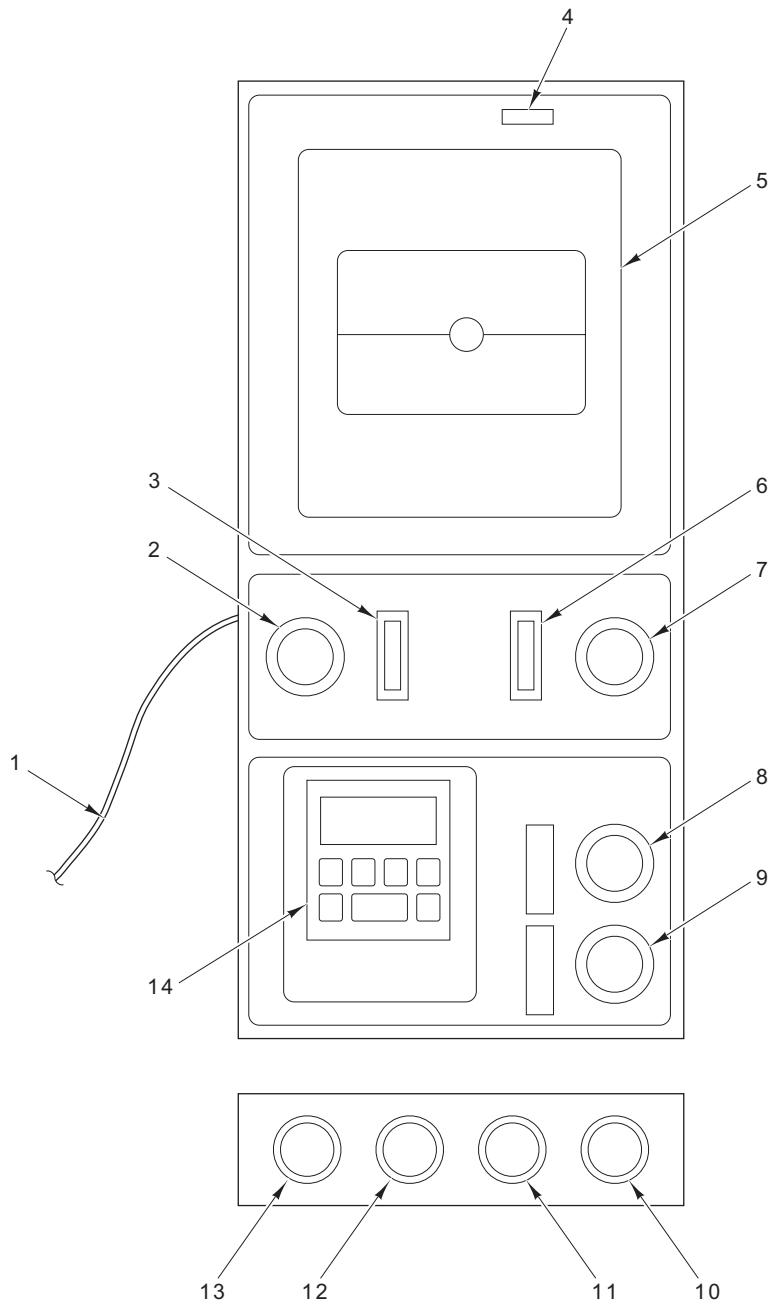
3	OVEN FRONT ASSEMBLY
5	CONTROL PANEL ASSEMBLY
7	ELECTRICAL PANEL ASSEMBLY
9	BURNER AND PILOT ASSEMBLY
11	MOTOR DRIVE ASSEMBLY
13	CARROUSEL ASSEMBLY (6 TRAY) (1985-1990)
15	CARROUSEL ASSEMBLY (6 TRAY) (1991-2004)



PL-58100

OVEN FRONT ASSEMBLY

ILLUS.	PART NO.	NAME OF PART	AMT.
PL-58100			
1	01-081334	Cover Assy. – Light Interior.....	2
2	01-080015	Globe – Light	2
3	01-111665	Bulb – Light 75 W. Halogen	2
4	01-080128	Socket – Light Bulb.....	2
5	-	Glass – Tempered 1/4 x 9 x 12.....	1
6	01-110267	Channel – Silicone Gasket Window (FT).....	7
7	-	Bearing – Loading Door (FBFL 204-12) 3/4 Bore.....	2
8	-	Sprocket – Counterweight Rod (40BS21 x 3/4)	1
9	01-110502	Latch – Door Non-Keyed	1
10	01-181901	Handle – NYB Welded.....	1
	01-205227	Switch – Snap Action Lever Loading Door	1
	01-205227	Switch – Snap Action Lever Access Door.....	1

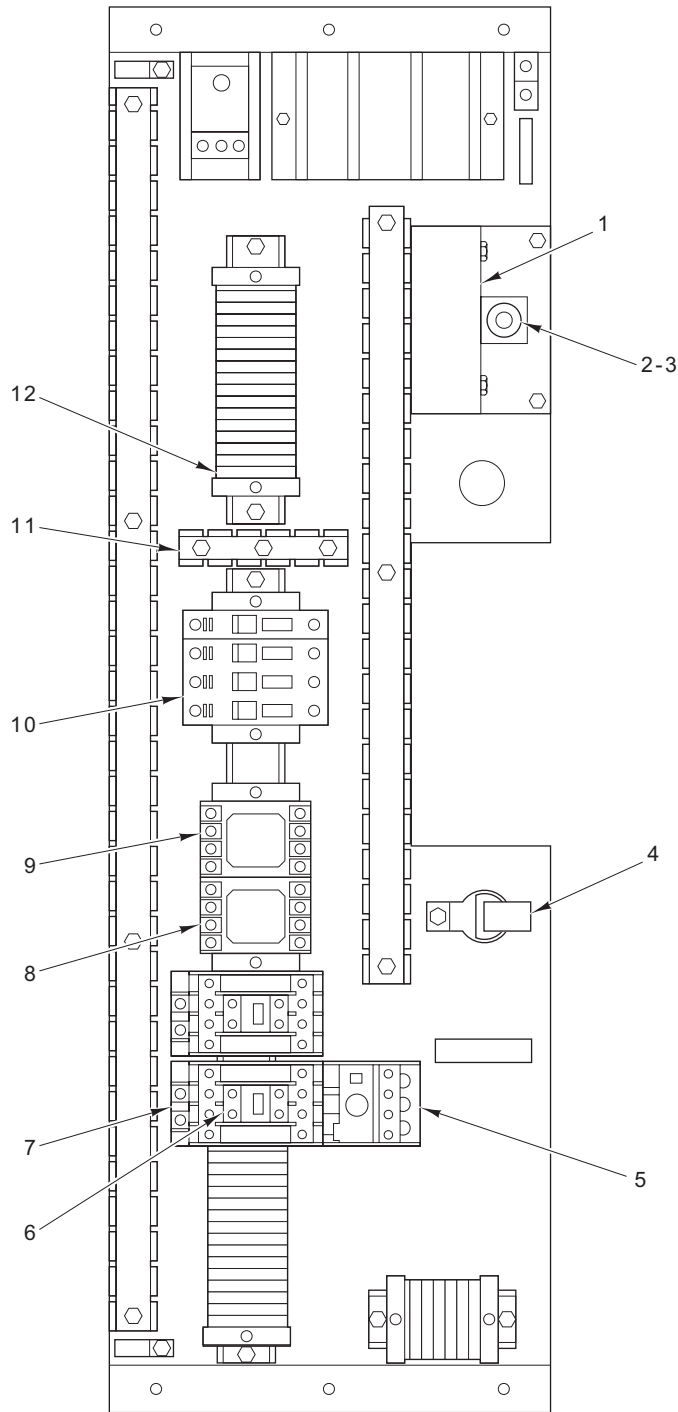


PL-58101

CONTROL PANEL ASSEMBLY

CONTROL PANEL ASSEMBLY

ILLUS. PL-58101	PART NO.	NAME OF PART	AMT.
1	01-100V10-00034	Buzzer – Mini 120 VAC.....	1
2	01-206854	Switch Assy. (Power/Light)	2
3	01-110479	Light – Amber Bar (Power) (125 V.).....	1
4	01-110800	Light – Amber Bar (Burner) (125 V.).....	1
5	01-205756	Thermostat (650 Deg., UE800).....	1
6	01-110457	Light – Amber Bar (Light) (125 V.).....	1
7	01-206854	Switch Assy. (Power/Light)	1
8	01-206855	Switch Assy. (Bake Start).....	1
9	01-206853	Switch Assy. (Stop).....	1
10	01-206858	Switch Assy. (Auto Run)	1
11	01-206857	Switch Assy. (Forward)	1
12	01-206856	Switch Assy. (Reverse).....	1
13	01-206853	Switch Assy. (Stop).....	1
14	01-206851	Timer – Electronic 60 Min., Bake	1
	01-185091	Control Panel Assy.....	1
	01-206771	Switch – Push Button Dual (Power).....	1
	01-206771	Switch – Push Button Dual (Light).....	1
	01-206772	Switch – Push Button Green (Start).....	1
	01-206773	Switch – Push Button Red (Stop).....	1
	01-115004	Thermocouple W/Fork	1
	01-206582	Thermostat – Ogden 550 Deg.	1

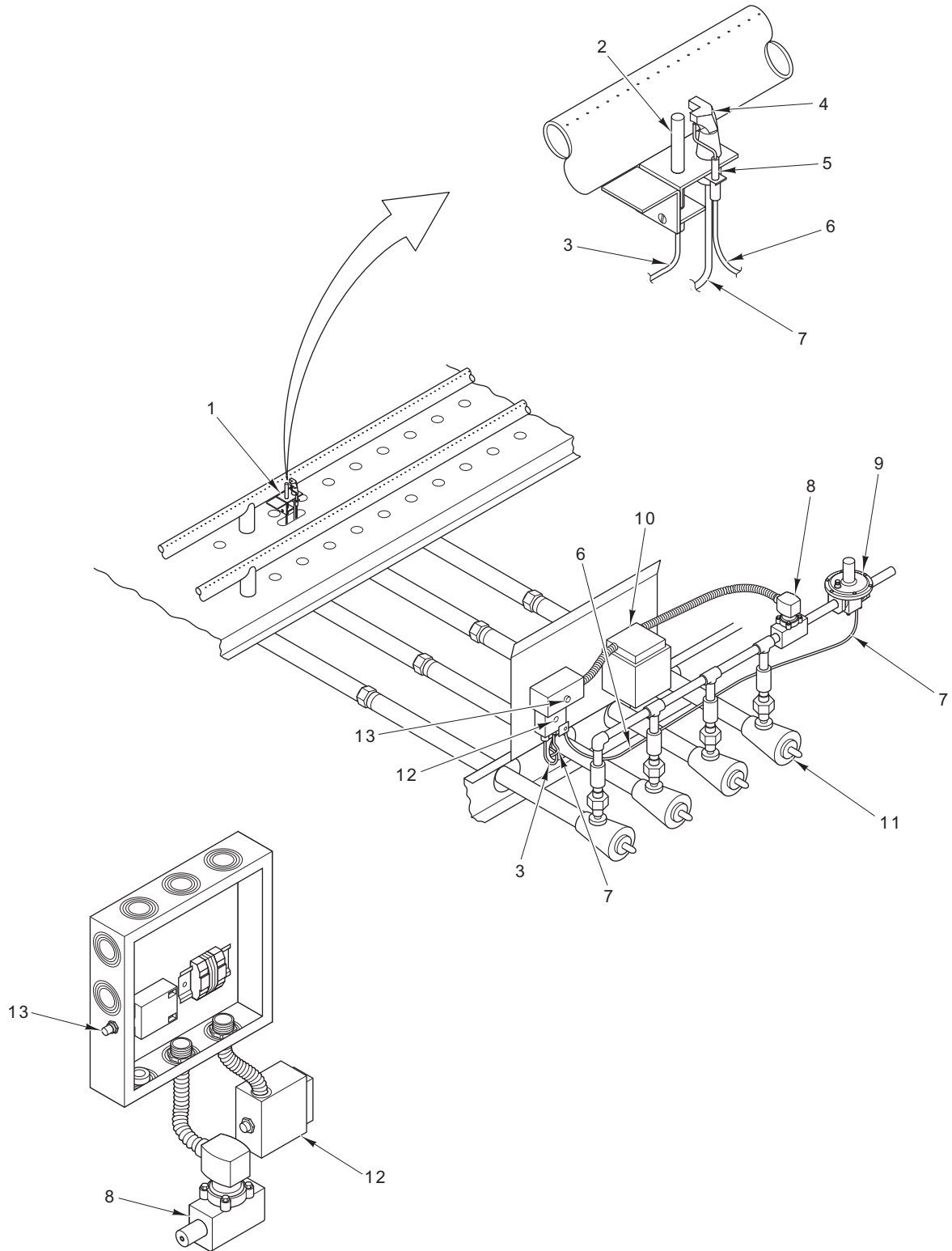


PL-58105

ELECTRICAL PANEL ASSEMBLY

ELECTRICAL PANEL ASSEMBLY

ILLUS.	PART NO.	NAME OF PART	AMT.
PL-58105			
1	01-1000V6-00254	Control – High Limit Kit, Ogden	1
2	01-205329	Switch – Push Button High Limit SPST	1
3	01-110206	Thermocouple – Hi-Limit	1
4	01-100V10-00034	Buzzer – Standard Mini (120 VAC)	1
5	01-207215	Overload – Motor Starter ABB (3.1 Amp.)	1
6	01-206897	Contact – Auxillary (N.C.) ABB	2
7	01-207210	Contact – Motor Starter (110 V.) ABB	2
8	01-206438	Socket – 8 Pin	2
9	01-080120	Relay – General Purpose (10 Amp., 120 V.)	2
10	01-206898	Contact – Auxillary (N.O.) ABB	2
11	01-206987	Circuit Breaker (3-Pole, 16 Amp., 220-480 V.)	1
12	01-206992	Circuit Breaker (1-Pole, 16 Amp., 220-480 V.)	1
	01-207803	Buzzer – Sonalert	1
	01-206885	Filter – Air 7 x 9 ³ / ₈ x 1	2
	01-206810	Fan – Axial 4 In. Cooling	2
	01-207208	Contact – Tray Drive (24 V.)	2
	01-207003	Controller – Ignition	1
	01-206760	Relay – Burner & Display (DPST, 30 Amp./24 V. Coil)	2
	01-207017	Relay – Exhaust Fan (DPST, 30 Amp., 120 V. Coil)	1
	00-087714-046-1	Relay – 2 Pole Prison (DPST, 30 Amp., 120 V. Coil)	1
	01-206877	Timer – 20 Second Delay (Flame Failure)	1
	01-206865	Thermostat (500 Deg., Sunne) (Backup)	1
	01-206866	Knob – Thermostat 500 Deg.	1
	01-1000V6-0035H	Switch – Toggle SPDT	1
	01-116530	Switch – Backup Assy. Control	1
	01-206576	Circuit Breaker (1-Pole, 20 Amp., 220-480 V.)	AR

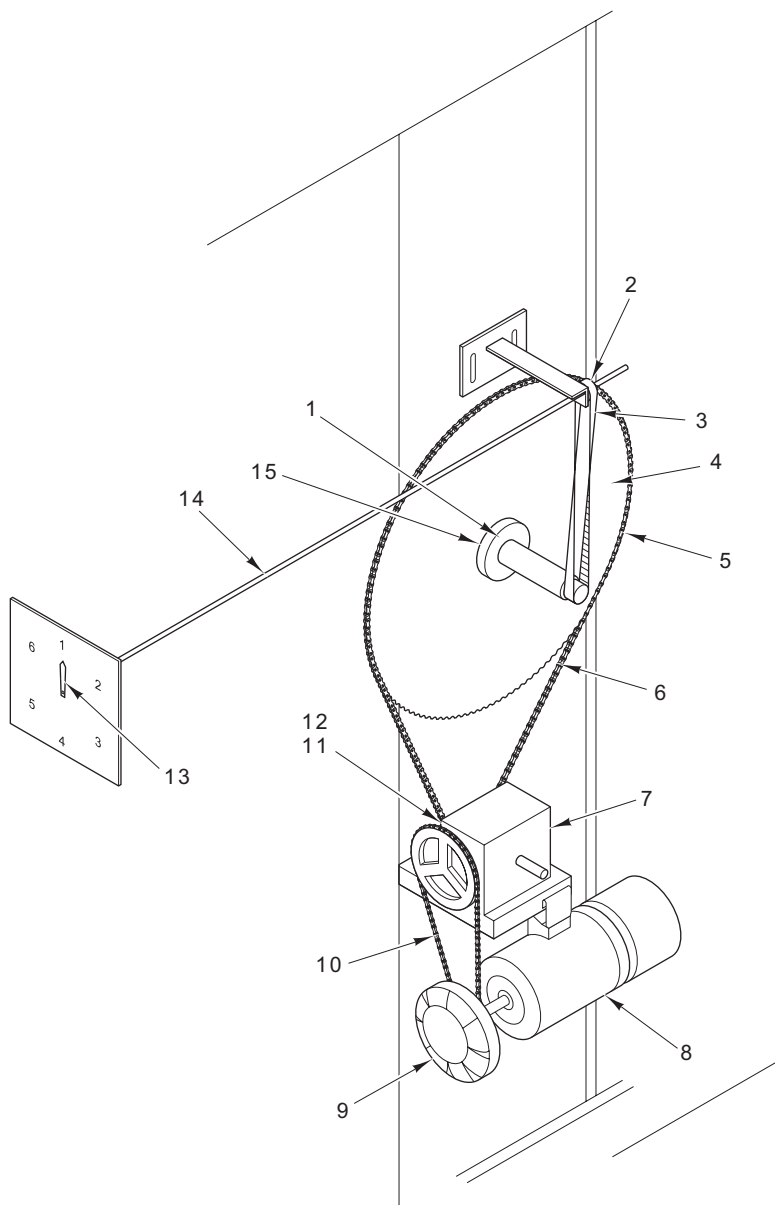


PL-58102

BURNER AND PILOT ASSEMBLY

BURNER AND PILOT ASSEMBLY

ILLUS.	PART NO.	NAME OF PART	AMT.
PL-58102			
1	01-080035	Pilot Assy. – Standing (Incls. Items 4, 5, & 6)	1
2	01-080873	Thermocouple (Incls. Item 3)	1
3	-	Thermocouple Lead	1
4	-	Pilot	1
5	-	Ignitor	1
6	-	High Voltage Cable	1
7	-	Pilot Tube 60 In. x 1/4 In. Aluminum Tube	1
8	01-081092	Valve – Gas Solenoid, 1 In.	1
9	01-206803	Regulator – Gas (1 In.)	1
10	01-080929	Ignition Transformer Module	1
11	01-207095	Mixer – Gas 1 1/2 In. (NAT)	4
12	01-206842	Relay – Thermopilot	1
13	01-205329	Switch – Push Button Sub-Mini	1
	01-207003	Controller – Ignition	1
	01-207028	Pilot – Rectification/Dual Wing	1
	01-081718	Valve – Gas Solenoid 3/8 In.	1
	01-205979	Wire – Ignition Red (Sold per Foot)	AR

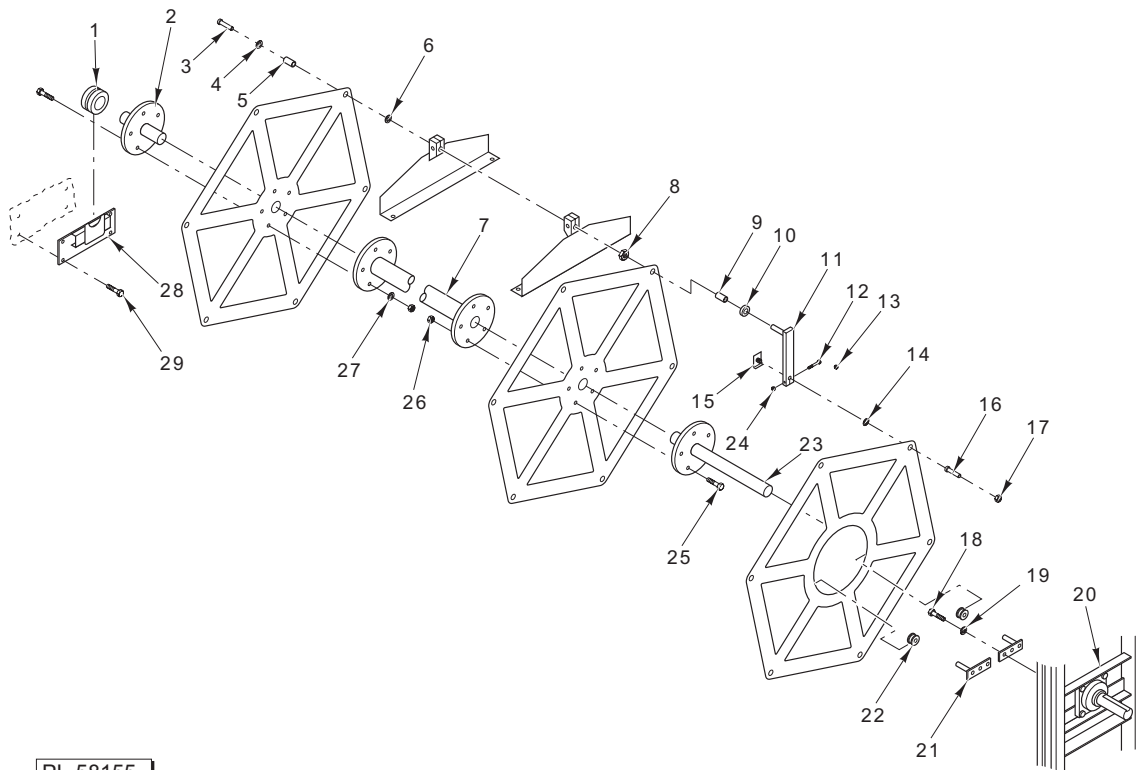


PL-58103

MOTOR DRIVE ASSEMBLY

MOTOR DRIVE ASSEMBLY

ILLUS.	PART NO.	NAME OF PART	AMT.
PL-58103			
1	-	Keystock 1/2 In. Sq. x 2 1/2 In. Lg. (24 In. Sprocket).....	1
2	01-205669	Pulley – Gearbelt	1
3	01-205681	Gearbelt 1/2 x 30 x 3/8	1
4	01-206840	Sprocket 60B96 2 1/4 In.	1
5	01-205141	Link – Connecting (#60 Chain)	1
6	01-080031	Kit – Chain #60 Drive	1
7	01-206811	Gearbox 100:1	1
8	01-080069	Motor – Brake (1/2 Hp., 3 Ph.)	1
9	01-080290	Clutch – Fluid FV x 3/8 In.	1
10	01-082158	V-Belt 5L380	1
11	01-205103	Sprocket 60BS9 x 1 In.	1
12	01-082358	Pulley – Drill/Tap	1
13	01-080110	Counter Shelf – Dial Pointer	1
14	01-081971	Rod – Tray Indicator 6 Tray	1
15	01-206807	Bearing – Flange 2 1/4 In. ID	1
	01-180786	Chain – #60 Drive Motor 6 Tray.....	1
	01-205276	Switch – Snap Action Roller.....	1

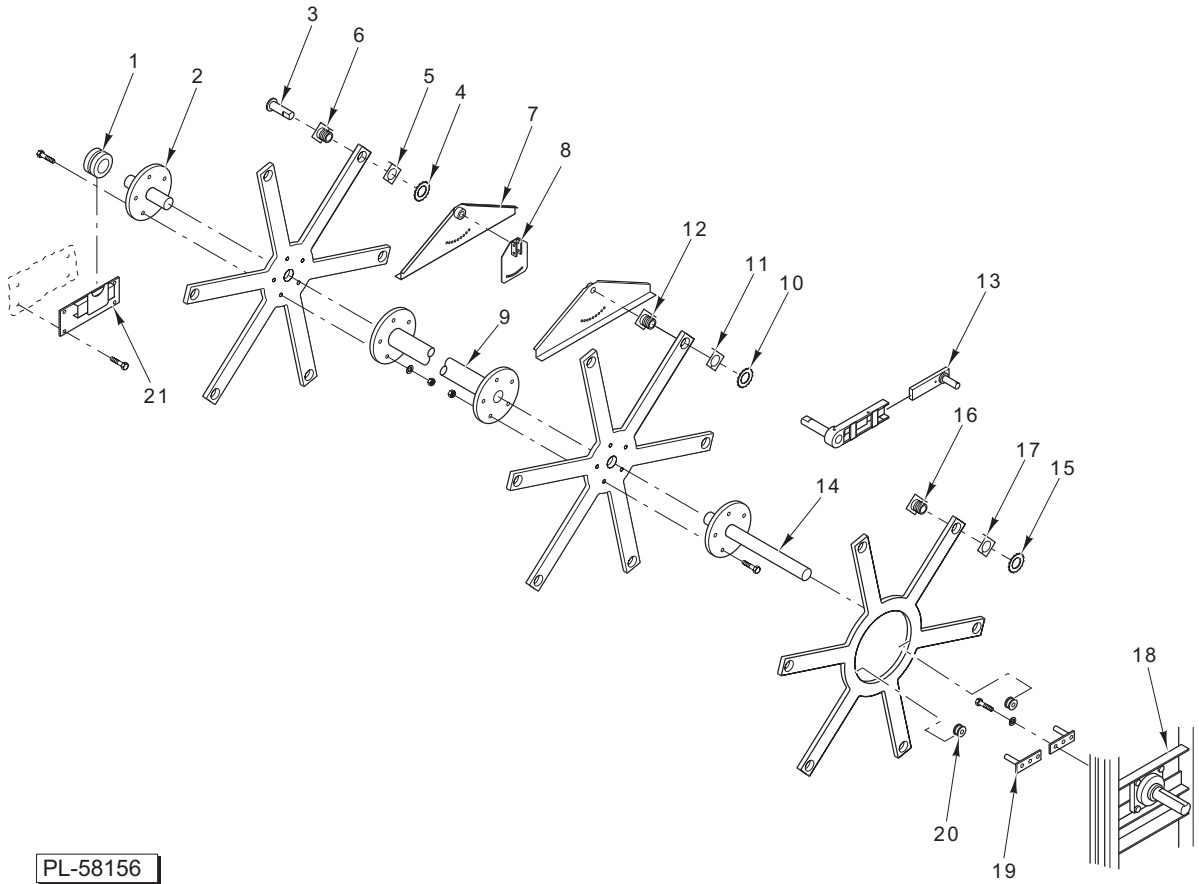


PL-58155

CARROUSEL ASSEMBLY (6 TRAY) (1985-1990)

CARROUSEL ASSEMBLY (6 TRAY) (1985-1990)

ILLUS. PL-58155	PART NO.	NAME OF PART	AMT.
1	01-182039	Bearing Assy. – Main Shaft Free End	1
2	01-181086	Shaft Assy. – Stub Free End	1
3	01-180251	Pin – Tray Free End	6
4	01-081309	Lock Nut – Spider Bushing	6
5	01-080063	Bearing Assy. – Spider	6
6	01-081309	Lock Nut – Spider Bushing	6
7	01-181058	Shaft Assy.	1
8	01-081309	Lock Nut – Spider Bushing	6
9	01-080063	Bearing Assy. – Spider	6
10	01-081309	Lock Nut – Spider Bushing	6
11	01-080119	Stabilizer Arm	6
12	-	Bolt – HHC $\frac{5}{16}$ -18 x $1\frac{3}{4}$	AR
13	01-081330	Lock Nut 1 In. Stabilizer Bearing	6
14	01-080167	Bearing Assy. – Stabilizer Arm	1
15	01-083322	Lockwasher – Stabilizer (1 In.)	1
16	01-080175	Pin – Stabilizer Arm	6
17	01-081330	Lock Nut 1 In. Stabilizer Bearing	6
18	-	Bolt – HHC $\frac{1}{2}$ -13 x $1\frac{1}{4}$	AR
19	-	Lockwasher $\frac{1}{2}$	AR
20	01-206807	Bearing – Flange $2\frac{1}{4}$ In. I.D.	1
21	01-080877	Stabilizer Assy. – Roller Bracket	2
22	01-081024	Bearing Assy. – Stabilizer Roller	2
23	01-181085	Shaft Assy. – Stub Drive	1
24	-	Nut $\frac{5}{16}$ -18 Hex	AR
25	-	Bolt – HHC $\frac{1}{2}$ -20 x $2\frac{1}{2}$ (Grade 8)	AR
26	-	Washer $\frac{1}{2}$ Plated	AR
27	-	Nut $\frac{1}{2}$ -20 Hex (Grade 8)	AR
28	01-181087	Support – Bearing Free End	1
29	-	Bolt – HHC $\frac{1}{2}$ -13 x $1\frac{1}{4}$ (Grade 8)	AR



PL-58156

CARROUSEL ASSEMBLY (6 TRAY) (1991-2004)

CARROUSEL ASSEMBLY (6 TRAY) (1991-2004)

ILLUS.	PART NO.	NAME OF PART	AMT.
PL-58156			
1	01-182039	Bearing Assy. – Main Shaft Free End	1
2	01-181086	Shaft Assy. – Stub Free End	1
3	01-180251	Pin – Tray Free End	6
4	01-205789	Lock Nut 1 1/4 Conduit	6
5	01-180255	Plate – Locking Nut Spider	6
6	01-182043	Bushing Assy. – Spider Tray	6
7	01-083307	Hanger Assy. – Tray Hange Assy. – Tray	12
8	01-083301	Levelizer Assy. – Tray	12
9	01-181058	Shaft Assy.	1
10	01-205789	Lock Nut 1 1/4 In. Conduit	6
11	01-180255	Locking Plate – Spider (Tray) Bearing	6
12	01-182043	Bushing Assy. – Spider (Tray)	6
13	01-083312	Arm Assy. – Stabilizer/Tray	6
14	01-181085	Shaft Assy. – Stub Drive	1
15	01-205793	Lock Nut 1 In. Conduit	6
16	01-083321	Bushing Assy. – Stabilizer Arm	6
17	01-083322	Lockwasher – Stabilizer 1 In.	6
18	01-206807	Bearing – Flange 2 1/4 In. I.D.	1
19	01-080877	Stabilizer Assy. – Roller Bracket	2
20	01-081024	Bearing Assy. – Stabilizer Roller	2
21	01-181087	Support – Bearing Free End	1
	01-10G108-00001	Lube – Bearing (Graphite)	AR

