



CATALOG OF REPLACEMENT PARTS



HYBRID PROOFER/HOLDING CABINET BASE

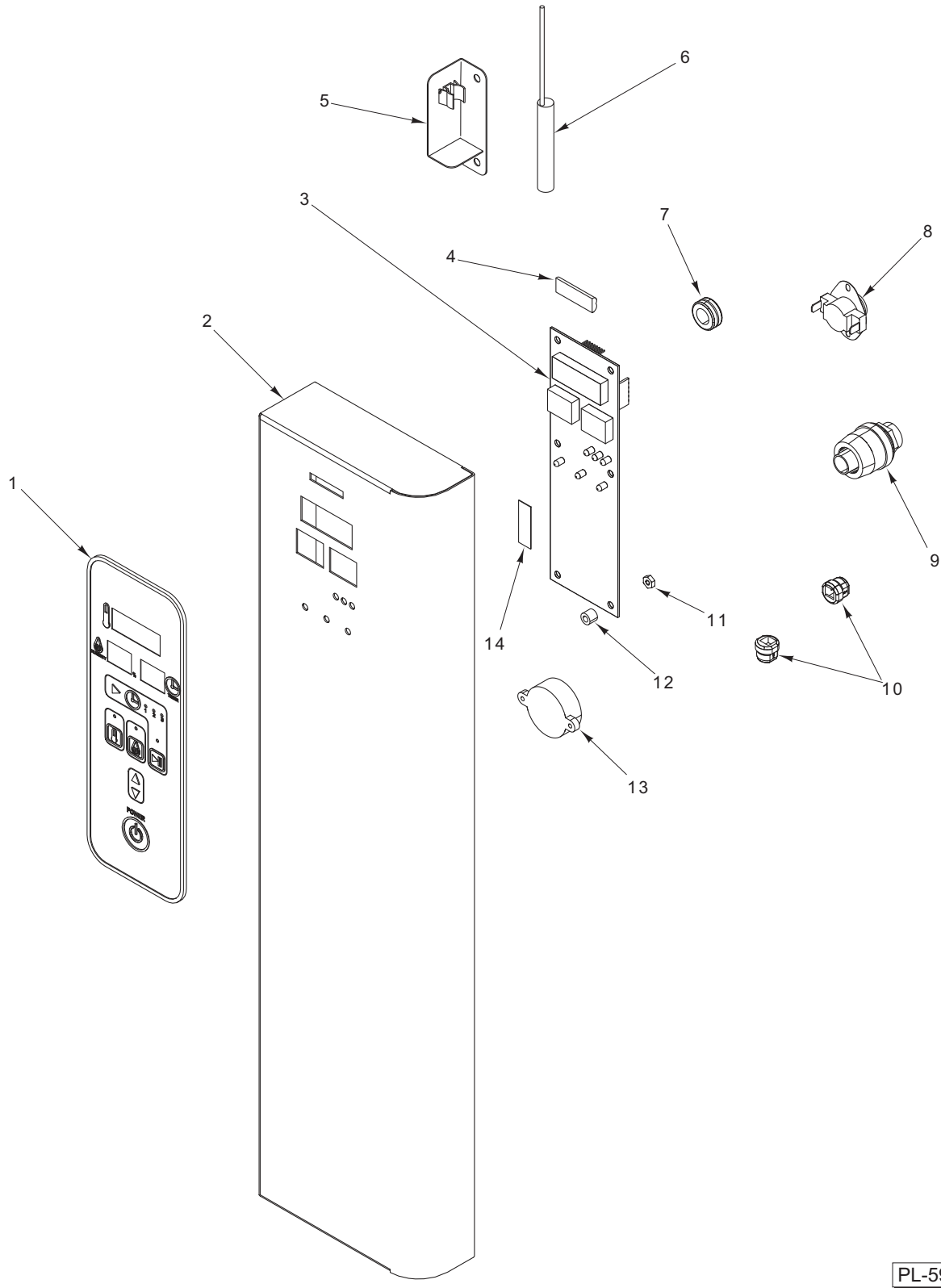
MB100

ML-132513

TABLE OF CONTENTS

5	CONTROL PANEL
7	ELECTRICAL AND WATER SUPPLY
9	CABINET UNIT
11	HUMIDIFIER UNIT

HYBRID PROOFER/HOLDING CABINET BASE REPLACEMENT PARTS

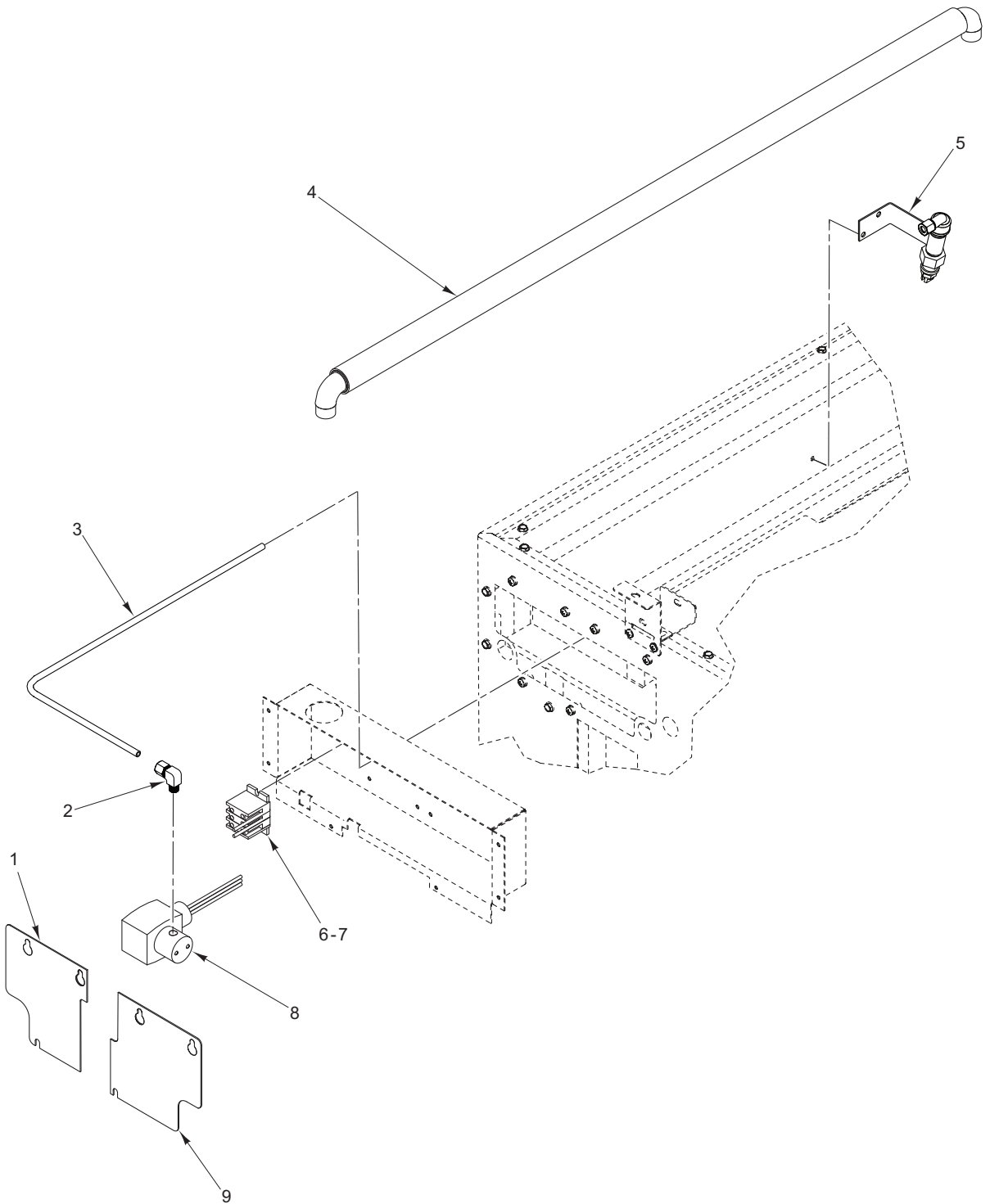


CONTROL PANEL

PL-59729

CONTROL PANEL

ILLUS.	PART NO.	NAME OF PART	AMT.
PL-59729			
1	01-100V16-00810	Overlay	1
2	01-1P2801-00101	Cabinet – Control	1
3	01-100V16-00672	Board – PCB	1
4	01-100V21-00092	Gasket – PVC “B” Shaped (1.5 In. Lg.)	AR
5	01-1P1905-00003	Bracket – Sensor Assy.	1
6	01-1P1875-00002	Sensor Assy.	1
7	01-100V15-00038	Grommet – Silicone (Red)	1
8	01-1000V6-00324	Switch – Hi-Limit	1
9	01-1000V5-00002	Fitting – Bulkhead	2
10	01-100V11-00150	Connector – Liquidtight	2
11	01-1000V4-00346	Nut 8-32 Hex	8
12	01-1000V5-00164	Standoff	8
13	01-1M5739-00102	Buzzer	1
14	01-100V16-00674	Label – Fuse (PCB) (1 Amp., 250 V.)	1
	01-1P2801-00001	Control Cabinet Assy. (Incls. Items 1, 2, & 3)	1

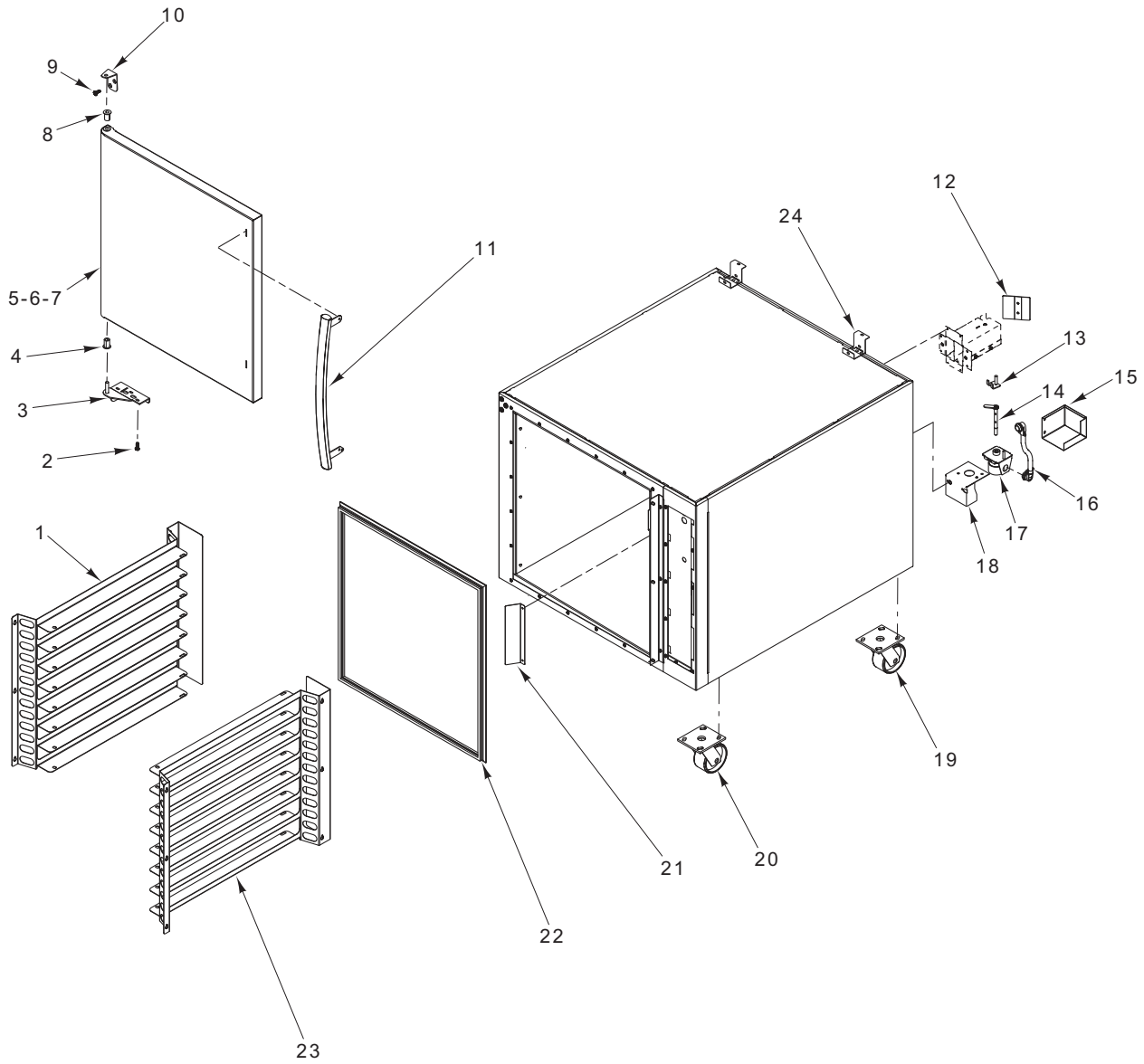


PL-59732

ELECTRICAL AND WATER SUPPLY

ELECTRICAL AND WATER SUPPLY

ILLUS.	PART NO.	NAME OF PART	AMT.
PL-59732			
1	01-1P2800-00309	Cover – Electrical Left.....	1
2	01-100V17-00624	Elbow	1
3	01-1M2822-00101	Tube (1/4 In.)	1
4	01-1M2813-00001	Harness – Main Control	1
5	01-1P2800-00005	Nozzle Assy. – Spray	1
6	01-1000V5-00106	Terminal – Stop End (Bottom).....	1
7	01-1000V5-00105	Terminal – Section (Top).....	2
8	01-100V17-00651	Solenoid Assy. – Valve	1
9	01-1P2800-00310	Cover – Electrical Right	1

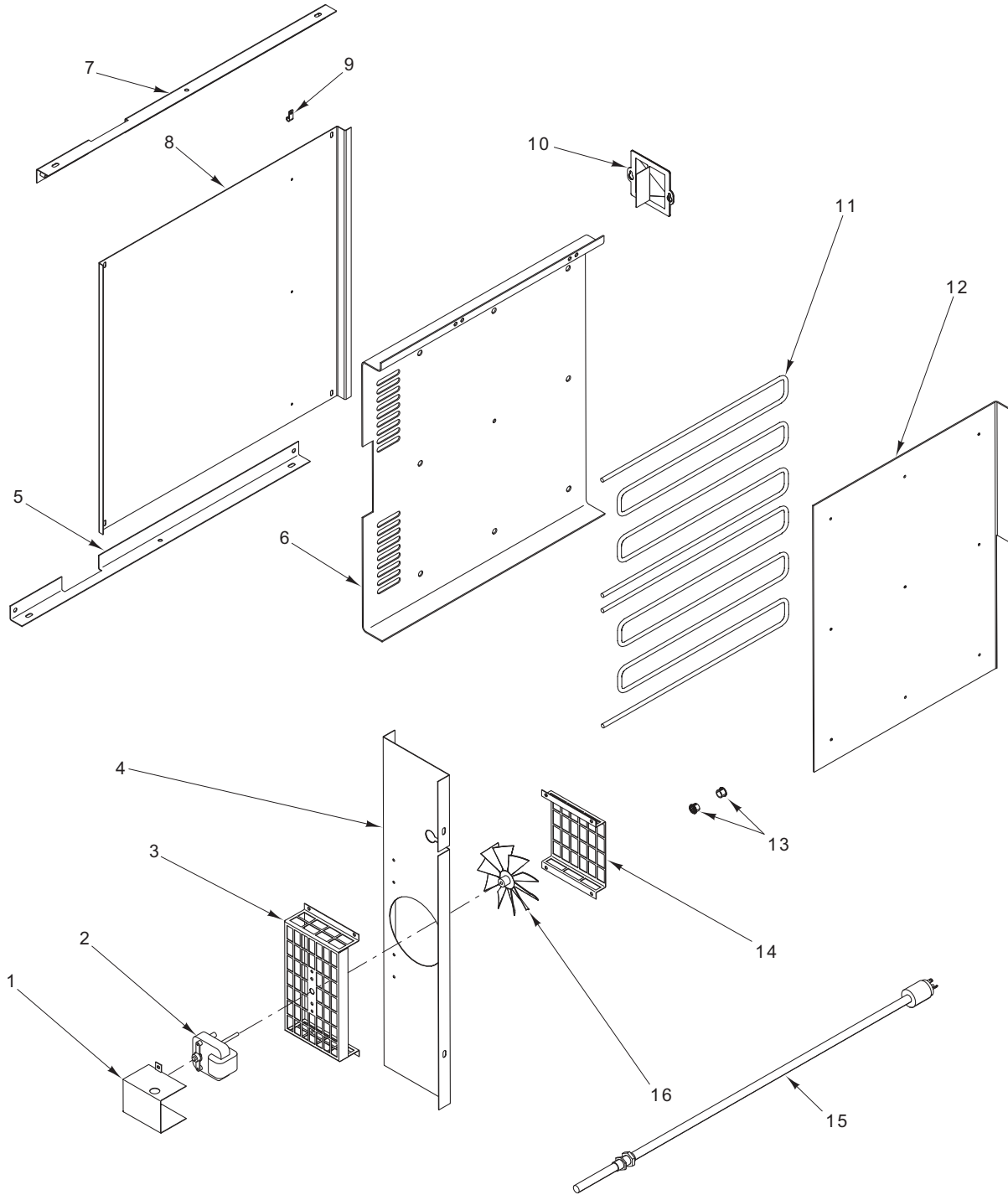


PL-59730

CABINET UNIT

CABINET UNIT

ILLUS. PL-59730	PART NO.	NAME OF PART	AMT.
1	01-1P2643-00001	Slide – Proofer 8-Pan (LH)	1
2	01-1000V4-00347	Screw – Hinge (Bottom).....	3
3	01-1P2805-00006	Hinge – Bottom Plate.....	1
4	01-1000V0-00100	Bushing – Door Pivot.....	1
5	01-1P2803-00001	Door.....	1
6	01-1P2804-00101	Door – Skin (Inner)	1
7	01-100V21-0041B	Insulation (770 Sq. In.).....	AR
8	01-1000V0-00100	Bushing – Door Pivot.....	1
9	01-1000V4-00360	Screw – Hinge (Top)	3
10	01-1P2805-00005	Hinge (Top)	1
11	01-1M6364-00001	Handle – Door.....	1
12	01-1P2808-00104	Plate – Damper.....	1
13	01-1M6310-00101	Retainer – Motor Arm.....	1
14	01-1P2809-00001	Shaft – Lid Arm	1
15	01-1M6319-00102	Cover – Actuator.....	1
16	01-1M6319-00301	Conduit Assy. – Vent Actuator.....	1
17	01-1000V8-00150	Actuator – Damper (120 V.).....	1
18	01-1M6319-00101	Bracket – Actuator Mounting.....	1
19	01-100V14-00047	Caster – Rigid (Rear).....	2
20	01-100V14-00046	Caster – Swivel Plate (With Brake).....	2
21	01-1P2698-00001	Deflector – Air (Rear Wall)	1
22	01-1P2802-00001	Gasket – Magnetic Door.....	1
23	01-1P2643-00002	Slide – Proofer 8-Pan (RH).....	1
24	01-1P2800-00313	Bracket – Retainer.....	2



PL-59731

HUMIDIFIER UNIT

HUMIDIFIER UNIT

ILLUS.	PART NO.	NAME OF PART	AMT.
PL-59731			
1	01-1P1648-00001	Enclosure – Motor.....	1
2	01-1000V8-0079M	Motor – Blower.....	1
3	01-1P2811-00102	Mount – Fan Motor.....	1
4	01-1P2811-00101	Housing – Fan Mount.....	1
5	01-1P2815-00001	Retainer – Pressure Panel.....	1
6	01-1P1708-00002	Plate – Heat.....	1
7	01-1P2816-00001	Retainer – Pressure Panel.....	1
8	01-1P2812-00001	Panel – Pressure.....	1
9	01-100V17-00057	Retainer – Humidistat Wire.....	2
10	01-1P2732-00002	Screen – Vent.....	1
11	01-100V10-00170	Element.....	2
12	01-1P1708-00001	Plate – Heat.....	1
13	01-1000V5-00316	Bushing – Waterline.....	2
14	01-1P2811-00103	Guard – Fan.....	1
15	01-1P2449-00001	Cord – Power.....	1
16	01-1000V8-0079B	Wheel – Blower.....	1
	01-1P1581-00001	Plate Assy. – Heat (Incls. Items 6, 11, & 12).....	1
	01-1P2811-00001	Fan Assy. (Incls. Items 1 thru 4, 14, & 16).....	1

