



CATALOG OF REPLACEMENT PARTS



ELECTRIC HYBRID CONVECTION OVEN

ML-132512
ML-132520

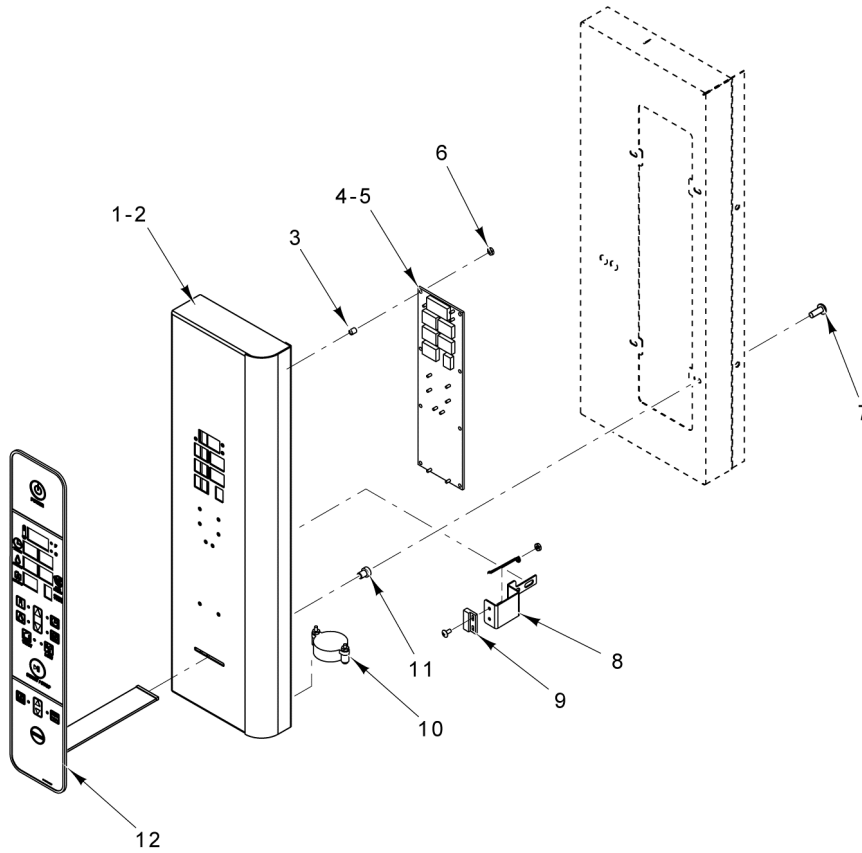
HCO100E
HCO100E

Table of Contents

5	CONTROL PANEL (ADVANCE CONTROLS)
7	ELECTRICAL COMPONENTS
9	DOOR ASSEMBLY (ML-132512)
11	DOOR ASSEMBLY (ML-132520)
13	CABINET
15	CONVECTION UNIT

- 13 01-1M6384-00001 Control Door Assy. (ML-132512)
- 14 01-1M6287-00002 Control Door Assy. (ML-132520)

PARTS NOT ILLUSTRATED

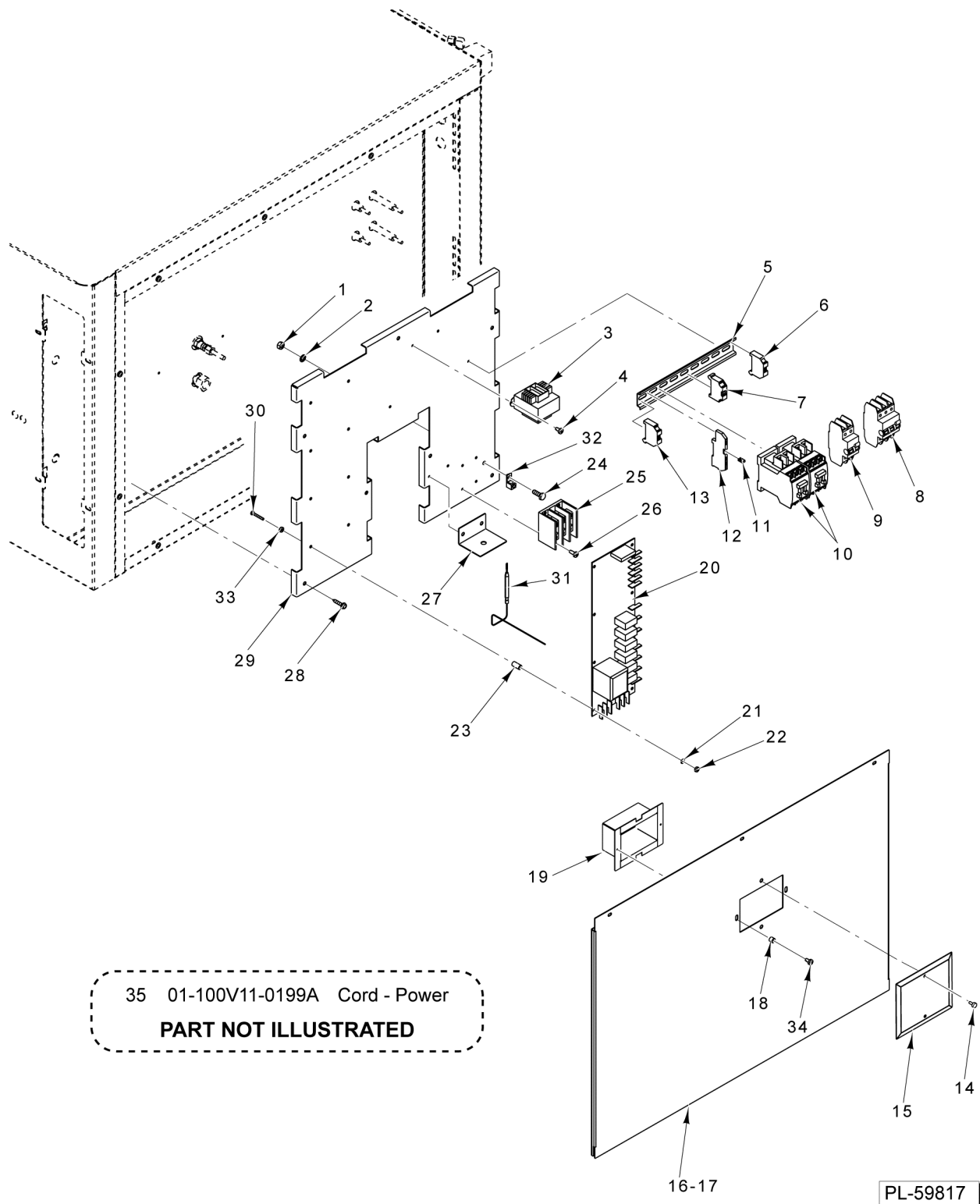


PL-59816

**CONTROL PANEL
(ADVANCE CONTROLS)**

**CONTROL PANEL
(ADVANCE CONTROLS)**

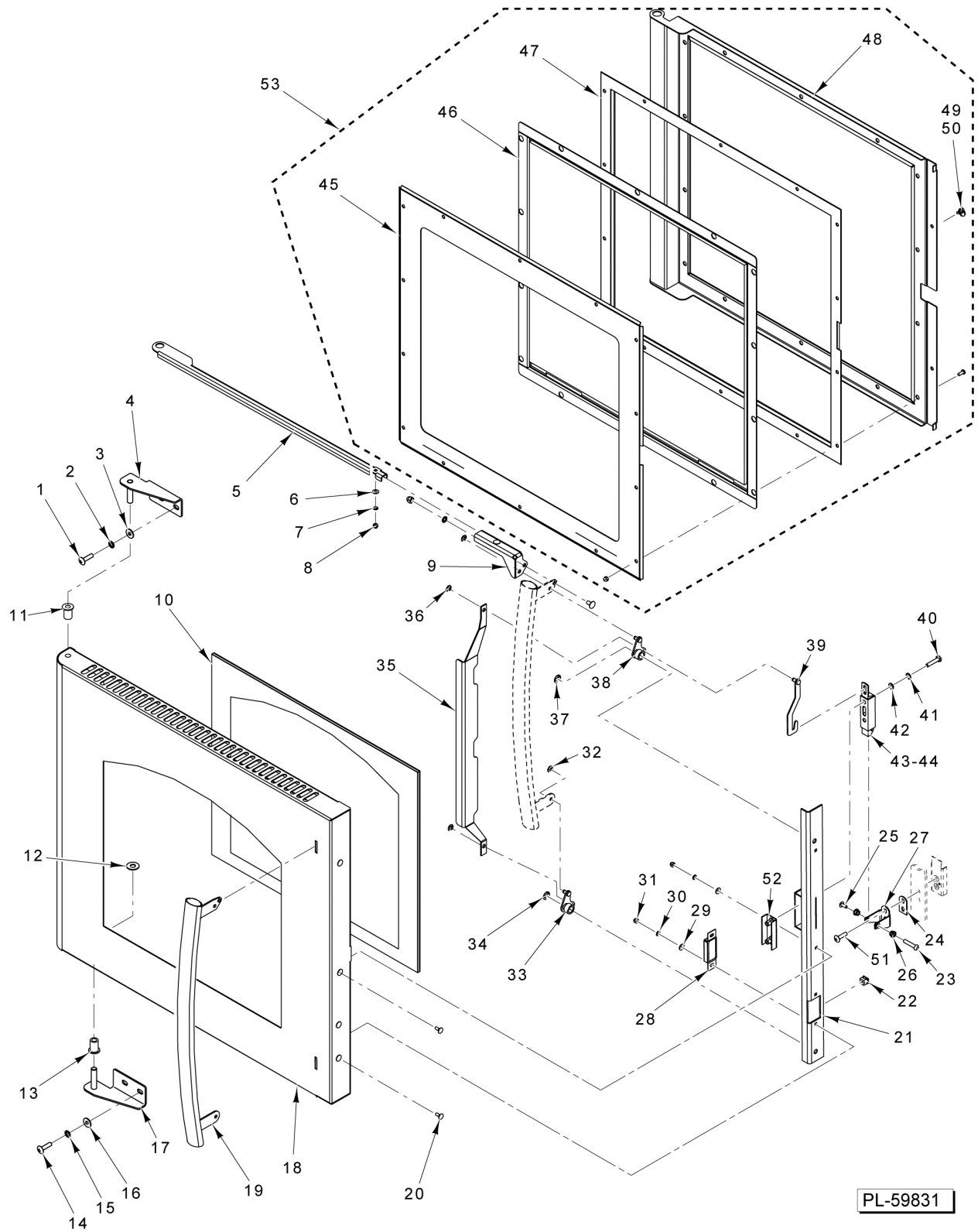
ILLUS.	PART NO.	NAME OF PART	AMT.
1	01-1M6384-00101	Skin - Control Door (With Studs) (Incls. Item 11) (ML-132512).....	1
2		Skin - Control Door (ML-132520).....	1
3	01-1000V5-00288	Spacer (Nylon).....	8
4	01-100V16-00764	Board - Convection Oven Display (With Ribbon Cable) (Incls. Item 5).....	1
5	01-100V16-0764C	Cable - Flat.....	1
6	01-1000V4-00346	Lock Nut 8-32 Hex.....	8
7		Screw 10-32 x 5/8 Gimlet.....	4
8	01-1M6385-00101	Bracket & Switch Assy. (Incls. Item 9).....	1
9	01-1M5777-00001	Switch Assy. - Door Magnet.....	1
10	01-1M5739-00102	Buzzer Assy.....	1
11	01-1000V4-00121	Insert - Threaded 10-32 Hex.....	4
12	01-100V16-00767	Label - Advance Control.....	1
13	01-1M6384-00001	Control Door Assy. (Incls. Items 1, 3 thru 6, 11, & 12) (ML-132512).....	1
14	01-1M6287-00002	Control Door Assy. (Incls. Items 2 thru 6, 11, & 12) (ML-132520).....	1



ELECTRICAL COMPONENTS

ELECTRICAL COMPONENTS

ILLUS. PL-59817	PART NO.	NAME OF PART	AMT.
1		Nut 1/4-20 Hex.....	1
2		Lockwasher 1/4 Internal.....	1
3	01-100V10-00257	Transformer.....	1
4	01-1000V4-00316	Screw.....	1
5	01-100V18-00115	Din Rail 9080-M H 3 In.....	1
6	01-1000V5-00252	Stop - Terminal Section End.....	1
7	01-1000V5-00252	Stop - Terminal Section End.....	1
8	01-1000V6-00282	Breaker - Circuit (3-Pole, 35 Amp.).....	1
9	01-1000V6-00285	Breaker - Circuit (2-Pole, 5 Amp.).....	1
10	01-1000V6-00302	Contactor.....	1
11	01-1000V5-00275	Jumper - Terminal Block.....	1
12	01-1000V5-00269	Block - Terminal.....	8
13	01-1000V5-00252	Stop - Terminal Section End.....	1
14	01-1000V4-00319	Screw - Thumb.....	2
15	01-1M5720-00054	Cover - Circuit Breaker.....	1
16	01-1M6386-00001	Panel - Outer (RH) (ML-132512).....	1
17	01-1M6386-00003	Panel - Outer (RH) (ML-132520).....	1
18	01-1000V4-00121	Insert - Threaded 10-32 Hex.....	1
19	01-1M5720-00053	Box - Circuit Breaker.....	1
20	01-100V16-00770	Board - Main Control.....	1
21		Lockwasher #6 Internal.....	1
22		Nut 6-32 Hex.....	1
23	01-1000V5-00160	Spacer - Nylon.....	8
24		Cap Screw 1/4-20 x 3/4 Hex Hd.....	1
25	01-1000V5-00271	Block.....	1
26	01-1000V4-00316	Screw.....	1
27	01-1M5766-00309	Bracket - High Limit Switch.....	1
28		Self-Tapping Screw 10-16 x 1 Hex Washer Hd.....	1
29	01-1M5739-00041	Plate Assy. - Component (Incls. Items 1 thru 13, 20 thru 27, 30, 32, & 33).....	1
30		Mach. Screw 6-32 x 1 Phil. Pan Hd.....	8
31	01-1000V6-00275	Thermostat - High Limit.....	1
32	01-1000V5-00037	Lug - Terminal.....	1
33		Lock Nut 6-32 Hex (Zinc).....	8
34	01-1000V4-00319	Screw - Thumb.....	1
35	01-100V11-0199A	Cord - Power.....	1

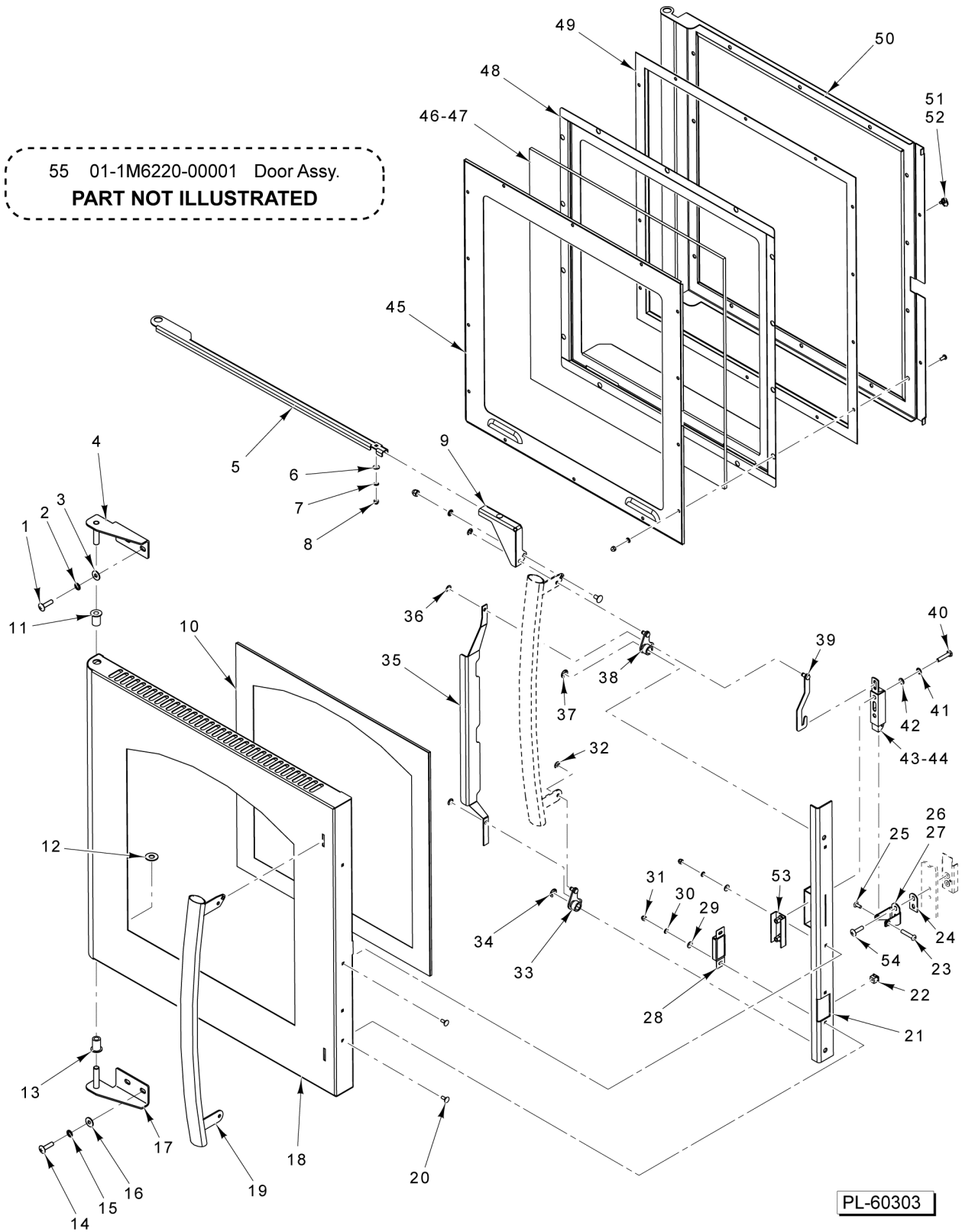


DOOR ASSEMBLY (ML-132512)

DOOR ASSEMBLY (ML-132512)

ILLUS. PL-59831	PART NO.	NAME OF PART	AMT.
1		Cap Screw 1/4-20 x 1 Hex Hd. (SST).....	2
2		Lockwasher 1/4 Internal.....	2
3		Washer 1/4 x 1/2 (SST).....	2
4	01-1M5748-00006	Bracket - Door Bearing (Top).....	1
5	01-1M6335-00402	Stiffener - Handle Pivot.....	1
6	01-1000V4-00325	Washer.....	1
7		Lockwasher #10 Internal.....	1
8		Acorn Nut 10-32 (SST).....	1
9	01-1M6335-00004	Support - Handle Bracket.....	1
10	01-100V16-00756	Glass - Outer Door.....	1
11	01-1000V0-00100	Bearing 3/8 ID x 5/8 OD x 1 Lg. (Bronze).....	2
12	01-1000V0-00101	Washer.....	1
13	01-1000V0-00100	Bearing 3/8 ID x 5/8 OD x 1 Lg. (Bronze).....	2
14		Cap Screw 1/4-20 x 1 Hex Hd. (SST).....	2
15		Lockwasher 1/4 Internal.....	2
16		Washer 1/4 x 1/2 (SST).....	2
17	01-1M5748-00007	Bracket - Door Bearing (Bottom).....	1
18	01-1M6326-00003	Door Assy. - Loading.....	1
19	01-1M6364-00001	Handle - Loading Door.....	1
20	01-1000V4-00339	Bolt - Carriage 10-32 x 1/2.....	4
21	01-1M6334-00003	Bracket - Latch.....	1
22	01-1000V4-00326	Receptacle.....	2
23	01-1000V4-00337	Fastener - Barrel.....	1
24	01-1M6382-00202	Shim - Door Strike.....	AR
25	01-1000V4-00338	Mach. Screw 10-24 x 1/2 Phil. Rd. Hd. (SST).....	1
26	01-1000V0-00103	Bearing - Nylon.....	2
27	01-1M6382-00002	Striker Assy. - Door (Incls. Items 23 thru 26 & 51).....	1
28	01-1M5815-00001	Magnet - Mounting Bracket Assy. (Incls. Bracket & Magnet).....	1
29	01-1000V4-00325	Washer.....	2
30		Lockwasher #10 Internal.....	2
31		Acorn Nut 10-32 (SST).....	2
32	01-1000V0-00092	Pin 1/4 Dia. x 1/2 Lg. (With Retaining Ring).....	2
33	01-1M6335-00001	Support - Bracket Handle.....	1
34	01-1000V0-00091	Clip - E Style.....	1
35	01-1M6335-00602	Support - Handle Bracket.....	1
36	01-1000V0-00092	Pin 1/4 Dia. x 1/2 Lg. (With Retaining Ring).....	2
37	01-1000V0-00091	Clip - E Style.....	1
38	01-1M6335-00009	Arm Assy. - Leveler.....	1
39	01-1M6333-00005	Lift - Latch Arm.....	1
40		Cap Screw 1/4-20 x 1-1/4 Hex Hd. (SST).....	2
41		Lockwasher 1/4 Internal.....	2
42	01-1000V0-00093	Washer.....	2
43	01-100V18-00184	Latch - Slam Lock.....	1
44	01-1M6333-00102	Spacer - Latch (Slam).....	AR
45	01-1M6329-00302	Retainer - Inner Glass.....	1
46	01-1M6331-00001	Frame - Inner Glass (Incls. Glass).....	1
47	01-100V16-00757	Gasket - Door.....	1
48	01-1M6329-00301	Frame - Inner Door Glass.....	1
49	01-1000V4-00328	Fastener.....	2
50	01-1000V4-00327	Retainer (1/4 Turn).....	2
51		Mach. Screw 1/4-20 x 1 Phil. Truss Hd. (SST).....	2
52	01-1M6333-00004	Bracket - Door Latch Slam.....	1
53	01-1M6329-00003	Inner Window Assy. (Incls. Items 45 thru 50).....	1

55 01-1M6220-00001 Door Assy.
PART NOT ILLUSTRATED

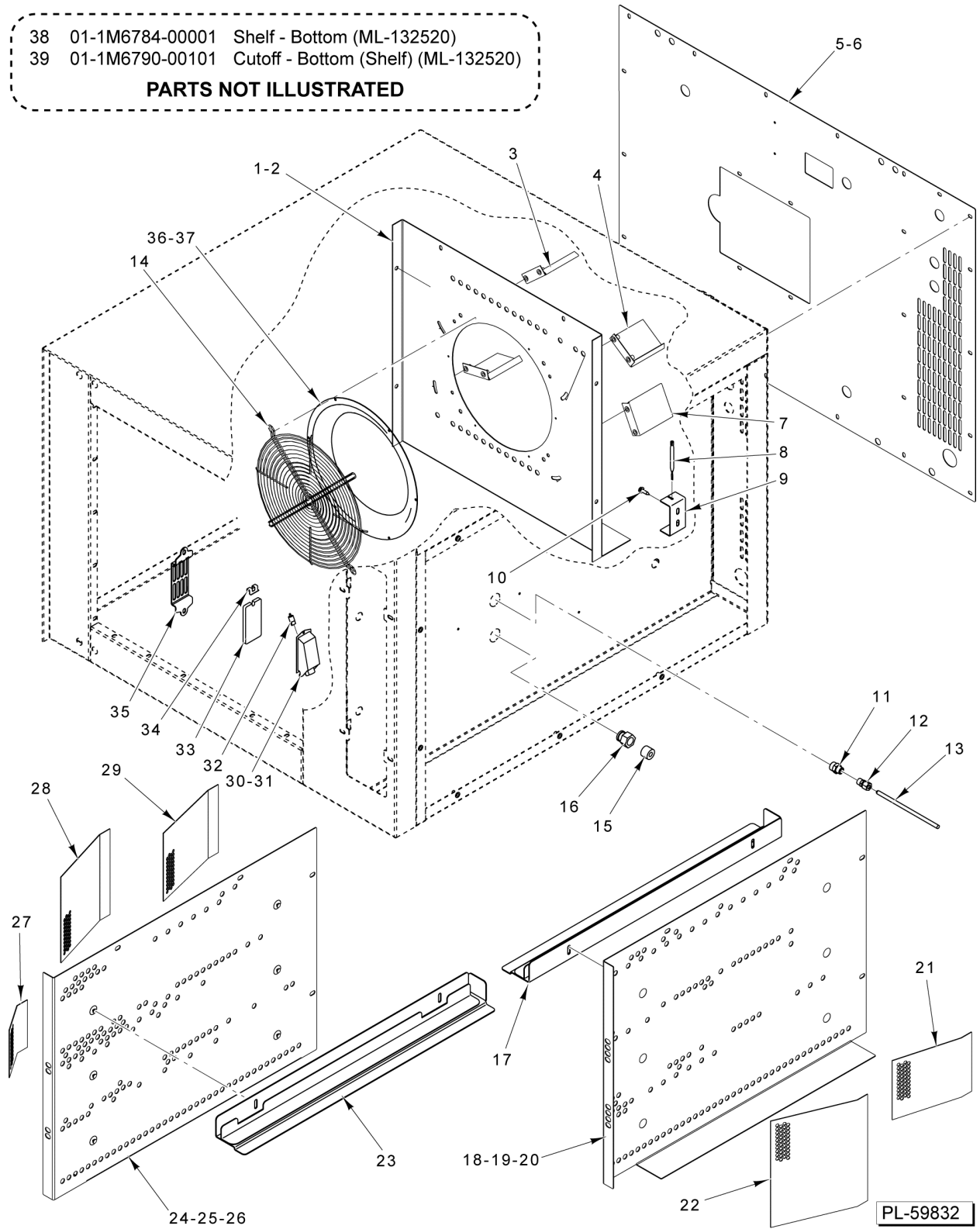


DOOR ASSEMBLY (ML-132520)

DOOR ASSEMBLY (ML-132520)

ILLUS. PL-60303	PART NO.	NAME OF PART	AMT.
1		Cap Screw 1/4-20 x 3/4 Hex Hd. (SST).....	2
2		Lockwasher 1/4 Internal.....	2
3		Washer 1/4 x 1/2 (SST).....	2
4	01-1M5748-00006	Bracket - Door Bearing (Top).....	1
5	01-1M6335-00402	Stiffener - Handle Pivot.....	1
6	01-1000V4-00325	Washer.....	1
7		Lockwasher #10 Internal.....	1
8		Acorn Nut 10-32 (SST).....	1
9	01-1M6335-00501	Stiffener - Handle End.....	1
10	01-100V16-00854	Glass - Outer Door.....	1
11	01-1000V0-00100	Bearing 3/8 ID x 5/8 OD x 1 Lg. (Bronze).....	2
12	01-1000V0-00101	Washer.....	1
13	01-1000V0-00100	Bearing 3/8 ID x 5/8 OD x 1 Lg. (Bronze).....	2
14		Cap Screw 1/4-20 x 3/4 Hex Hd. (SST).....	2
15		Lockwasher 1/4 Internal.....	2
16		Washer 1/4 x 1/2 (SST).....	2
17	01-1M5748-00007	Bracket - Door Bearing (Bottom).....	1
18	01-1M6272-00201	Door Assy. - Loading.....	1
19	01-1M6364-00101	Handle - Loading Door.....	1
20	01-1000V4-00339	Bolt - Carriage 10-32 x 1/2.....	5
21	01-1M6334-00003	Bracket - Latch.....	1
22	01-1000V4-00326	Receptacle.....	2
23	01-1000V4-00337	Fastener - Barrel.....	1
24	01-1M6382-00302	Shim - Door Strike.....	AR
25	01-1000V4-00338	Mach. Screw 10-24 x 1/2 Phil. Rd. Hd. (SST).....	1
26	01-1000V0-00103	Bearing - Nylon.....	2
27	01-1M6382-00003	Striker Assy. - Door.....	1
28	01-1M5815-00001	Magnet - Mounting Bracket Assy. (Incls. Bracket & Magnet).....	1
29	01-1000V4-00325	Washer.....	2
30		Lockwasher #10 Internal.....	2
31		Acorn Nut 10-32 (SST).....	2
32	01-1000V0-00092	Pin 1/4 Dia. x 1/2 Lg. (With Retaining Ring) - Retainer.....	2
33	01-1M6335-00001	Support - Bracket Handle.....	1
34	01-1000V0-00091	Clip - E Style.....	1
35	01-1M6335-00601	Linkage - Cam Handle.....	1
36	01-1000V0-00092	Pin 1/4 Dia. x 1/2 Lg. (With Retaining Ring).....	2
37	01-1000V0-00091	Clip - E Style.....	1
38	01-1M6335-00007	Arm Assy. - Leveler.....	1
39	01-1M6333-00301	Lift - Latch Arm.....	1
40		Cap Screw 1/4-20 x 11/4 Hex Hd. (SST).....	2
41	01-1000V0-00093	Washer.....	2
42	01-1000V0-00093	Washer.....	2
43	01-100V18-00184	Latch - Slam Lock.....	1
44	01-1M6333-00102	Spacer - Latch (Slam).....	AR
45	01-1M6271-00202	Retainer - Inner Glass.....	1
46	01-1M6273-00001	Inner Door Assy. (Incls. Item 45).....	1
47	01-100V16-00855	Glass - Inner Door.....	1
48	01-1M6274-00002	Frame - Inner Glass.....	1
49	01-100V16-00856	Gasket - Door (Fused).....	1
50	01-1M6271-00201	Frame - Inner Door Glass.....	1
51	01-1000V4-00328	Fastener.....	2
52	01-1000V4-00327	Retainer (1/4 Turn).....	2
53	01-1M6333-00004	Bracket - Door Latch Slam.....	1
54		Mach. Screw 1/4-20 x 1 Phil. Truss Hd. (SST).....	2
55	01-1M6220-00001	Door Assy.....	1

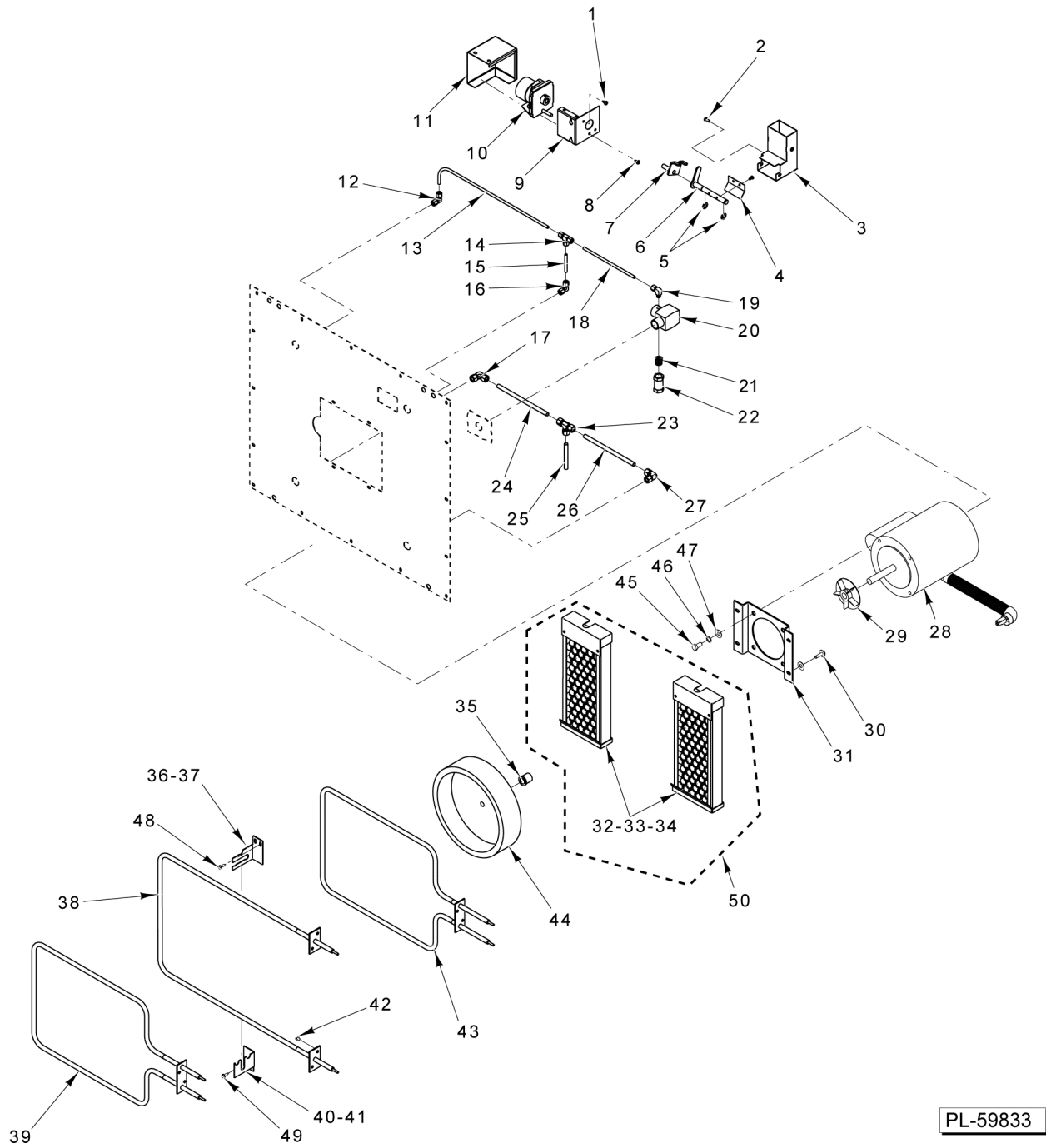
38 01-1M6784-00001 Shelf - Bottom (ML-132520)
 39 01-1M6790-00101 Cutoff - Bottom (Shelf) (ML-132520)
PARTS NOT ILLUSTRATED



CABINET

CABINET

ILLUS. PL-59832	PART NO.	NAME OF PART	AMT.
1	01-1M5713-00312	Panel - Inner Rear Duct (ML-132512).....	1
2	01-1M6282-00003	Panel - Inner Rear Duct (ML-132520).....	1
3	01-1M5768-00022	Fan - Notched Cutoff Assy.....	1
4	01-1M5768-00021	Fan - Cutoff Assy.....	1
5	01-1M6338-00101	Cover - Rear (ML-132512).....	1
6	01-1M6536-00003	Cover - Rear (ML-132520).....	1
7	01-1M5768-00021	Fan - Cutoff Assy.....	2
8	01-1000V6-00275	Thermostat - High Limit.....	1
9	01-1M5766-00304	Bracket - High Limit.....	1
10		Self-Tapping Screw 10-16 x 1/2 Hex Washer Hd. (SST).....	1
11	01-100V17-00621	Fitting 1/4 to 1/8 Reducer.....	1
12	FP-078-49	Fitting - Tube (1/4 In.) (Brass).....	1
13	01-100V10-00294	Probe - Temperature.....	1
14	01-1000V8-00141	Fan Guard.....	1
15	01-100V17-00304	Kit - Stuffing Box.....	1
16	01-100V17-00281	Coupler - Reducer 3/8 to 1/4.....	1
17	01-1M6527-00001	Kit - Slides (Incls. Guide for LH & RH).....	AR
18	01-1M5735-00062	Wall - Plenum (Right) (3-Pan) (ML-132512).....	1
19	01-1M5735-00064	Wall - Plenum (Right) (4-Pan) (ML-132512).....	1
20	01-1M6781-00003	Panel - Interior (RH) (ML-132520).....	1
21	01-1M5786-00004	Baffle - Plenum (Right Rear).....	1
22	01-1M5786-00005	Baffle - Plenum (Right Front).....	1
23	01-1M6527-00001	Kit - Slides (Incls. Guide for LH & RH).....	AR
24	01-1M5735-00061	Wall - Plenum (Left) (3-Pan) (ML-132512).....	1
25	01-1M5735-00063	Wall - Plenum (Left) (4-Pan) (ML-132512).....	1
26	01-1M6781-00001	Panel - Interior (LH) (ML-132520).....	1
27	01-1M5786-00002	Baffle - Plenum (Left Front Bottom).....	1
28	01-1M5786-00001	Baffle - Plenum (Left Front Top).....	1
29	01-1M5786-00003	Baffle - Plenum (Left Rear).....	1
30	01-1000V7-00037	Socket - Lamp (Incls. Items 31 thru 35).....	2
31	01-1000V7-00035	Base - Lamp.....	2
32	01-1000V7-00043	Lamp - Halogen.....	2
33	01-1000V7-00034	Cover - Lamp Glass.....	2
34	01-1000V7-00036	Clip - Lamp Assy.....	2
35	01-1M5773-00101	Guard - Lamp.....	2
36	01-1000V8-00139	Ring - Inlet (ML-132512).....	1
37	01-1M6783-00001	Ring - Inlet (ML-132520).....	1
38	01-1M6784-00001	Shelf - Bottom (ML-132520).....	1
39	01-1M6790-00101	Cutoff - Bottom (Shelf) (ML-132520).....	1



PL-59833

CONVECTION UNIT

CONVECTION UNIT

ILLUS.	PART NO.	NAME OF PART	AMT.
1		Self-Tapping Screw 10-16 x 1/2 Hex Washer Hd. (SST).....	2
2		Screw 10-32 x 5/8 Gimlet.....	1
3	01-1M5719-00042	Vent - Elbow.....	1
4	01-1M5756-00424	Plate - Damper.....	1
5	01-1000V0-00091	Clip - E Style.....	2
6	01-1M6310-00002	Pin - Flapper.....	1
7	01-1M6310-00001	Pin - Flapper.....	1
8		Self-Tapping Screw 10-16 x 1/2 Hex Washer Hd. (SST).....	1
9	01-1M6319-00101	Bracket - Actuator Mounting.....	1
10	01-1000V8-00137	Actuator - Convection Oven Damper.....	1
11	01-1M6319-00102	Cover -Actuator Vent.....	1
12	01-100V17-00622	Elbow (1/4 x 1/4) (Brass).....	1
13	01-1M5772-00104	Tube (1/4 In.).....	1
14	01-100V17-00623	Tee (1/4 x 3) (Brass).....	1
15	01-1M5772-00103	Tube (1/4 In.) (2-1/8 In. Lg.).....	1
16	01-100V17-00622	Elbow (1/4 x 1/4) (Brass).....	1
17	01-100V17-00647	Elbow - Union (Brass).....	1
18	01-1M5772-00105	Tube (1/4 In.) (7-3/16 In. Lg.).....	1
19	01-100V17-00624	Elbow (1/4 x 1/8) (Brass).....	1
20	01-1M5720-00058	Valve - Solenoid (220 V.) (Brass).....	1
21	01-100V17-00616	Bushing (1/8 x 3/8).....	1
22	01-100V17-00598	Regulator - Flow.....	1
23	01-100V17-00649	Tee (3/8) Compression (Brass).....	1
24	01-1M5772-00301	Tube (3/8 In.) (7 In. Lg.).....	1
25	01-1M5772-00302	Tube (3/8 In.) (3 In. Lg.).....	1
26	01-1M5772-00301	Tube (3/8 In.) (7 In. Lg.).....	1
27	01-100V17-00647	Elbow - Union (Brass).....	1
28	01-1M5714-00044	Motor Assy. - Circulation.....	1
29	01-1M5714-00043	Fan - Circulation Motor.....	1
30		Cap Screw 1/4-20 x 1 Hex Hd. (SST).....	4
31	01-1M5714-00403	Plate - Fan Motor Mount.....	1
32	01-1M5756-00401	Retainer - Steam Balls.....	4
33	01-1M5756-00402	Cover - Steam Assy.....	2
34	01-1M5975-00001	Steamer - Balls.....	AR
35	01-1000V0-00090	Sleeve - Bearing.....	1
36	01-1M5766-0305B	Bracket - Top Heating Element (ML-132512).....	1
37	01-1M6250-00302	Bracket - Heating Element (Top) (ML-132520).....	1
38	01-100V10-00273	Heating Element (220 V., 2645 W.).....	1
39	01-100V10-00272	Heating Element (220 V., 3000 W.).....	1
40	01-1M5766-00305	Bracket - Heating Element (ML-132512).....	1
41	01-1M6250-00301	Bracket - Heating Element (Bottom) (ML-132520).....	1
42		Self-Tapping Screw 10-16 x 1/2 Hex Washer Hd. (SST).....	AR
43	01-100V10-00271	Element - Heating (220 V., 3000 W.).....	1
44	00-415780-00003	Wheel - Blower (60 Hz.).....	1
45		Screw 3/8-16 x 3/4.....	4
46		Lockwasher 3/8 Internal (SST).....	4
47		Washer (3/8) (SST).....	4
48		Self-Tapping Screw 10-16 x 1/2 Hex Washer Hd. (SST).....	2
49		Self-Tapping Screw 10-16 x 1/2 Hex Washer Hd. (SST).....	2
50	01-1M5756-00004	Steamer Assy. (Incls. Items 32, 33, & 34).....	2

