



# CATALOG OF REPLACEMENT PARTS



## DPC1S DEHUMIDIFYING PROOFING CABINET (SECOND GENERATION)

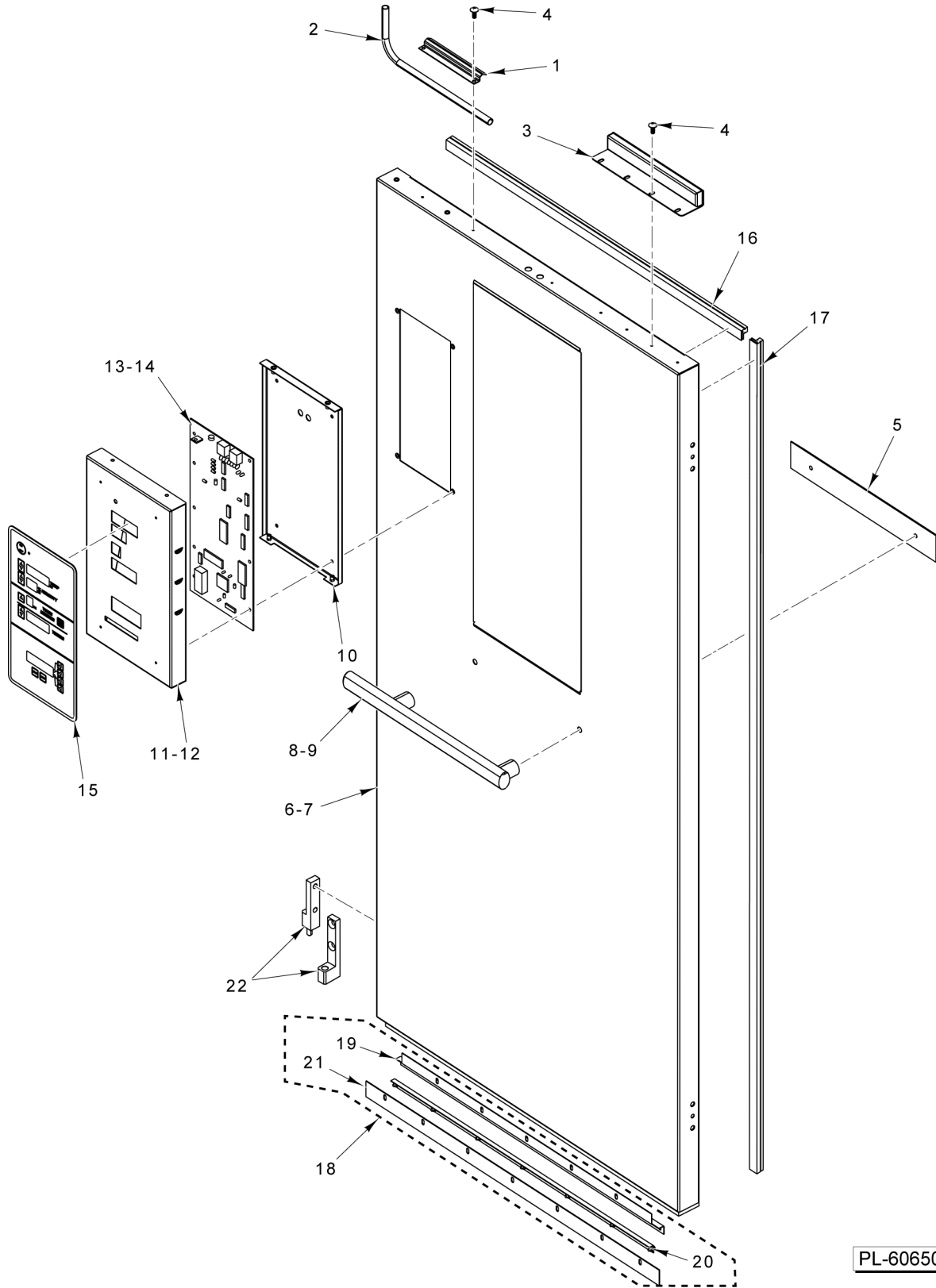
ML-132533

DPC1S



**Table of Contents**

5	CONTROL PANEL AND DOOR ASSEMBLY
7	PANELS AND FLOOR
9	VENT STACK ASSEMBLY
11	COMPONENT BOX ASSEMBLY
13	DEHUMIDIFYING ASSEMBLY

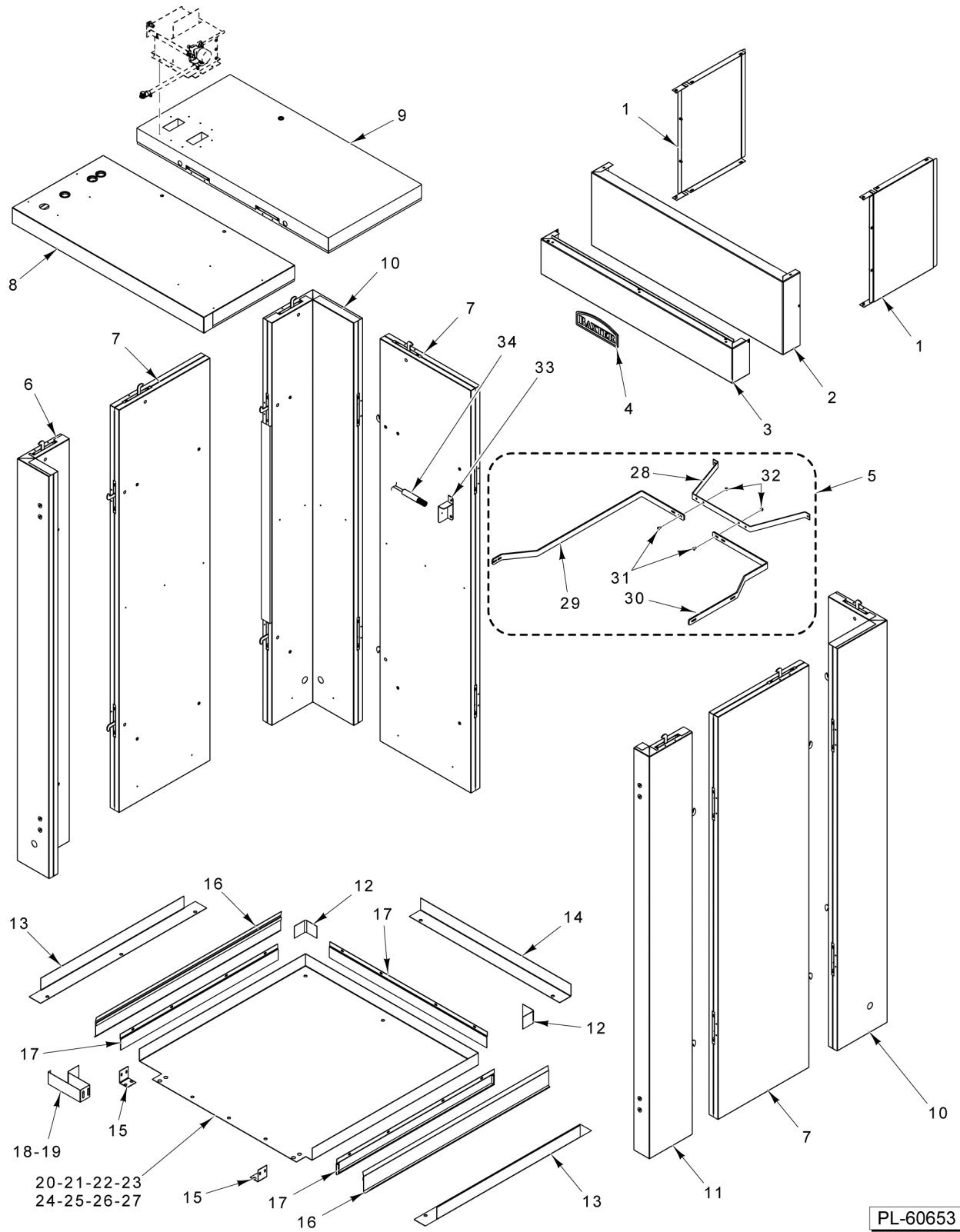


PL-60650

**CONTROL PANEL AND DOOR ASSEMBLY**

**CONTROL PANEL AND DOOR ASSEMBLY**

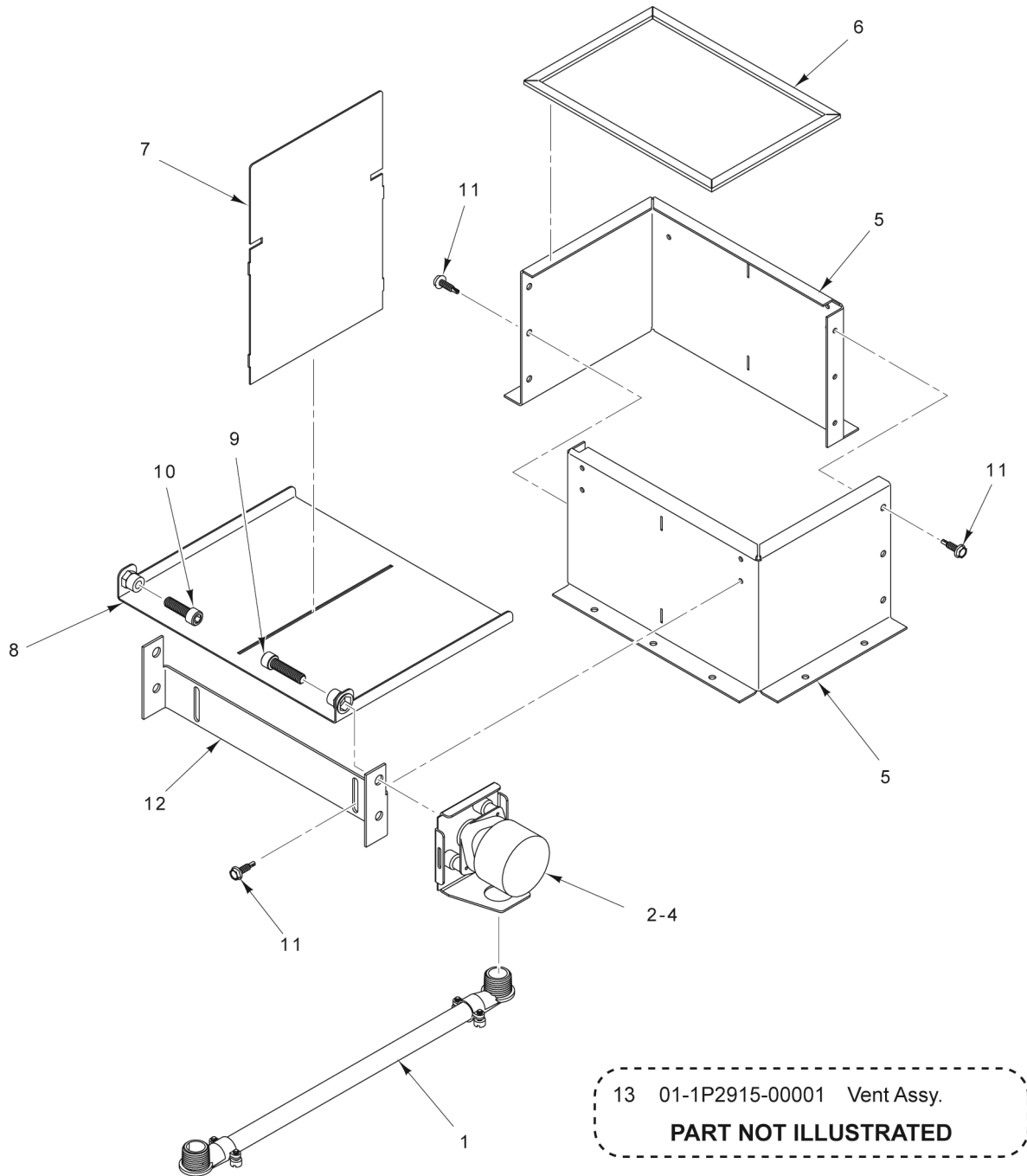
ILLUS.	PART NO.	NAME OF PART	AMT.
1	01-1P1485-00002	Clamp - Wire Tube (Door).....	1
2	01-1P1383-00003	Conduit - Wire.....	1
3	01-1P1471-00002	Magnet Assy. (Door).....	1
4	01-1000V4-00412	Mach. Screw 10-32 x 1/2 Phil. Truss Hd. (SST).....	AR
5	01-1P1837-00011	Bumper - Door.....	1
6	01-1P2833-00003	Door Assy. (Without Control - With Window) (Dunkin Donuts).....	1
7	01-1P2683-00003	Door Assy. (Without Control - Without Window).....	1
8	01-1P2756-00001	Handle - Door Loading (SST).....	1
9	01-1M6103-0203B	Cap - End (Door Handle).....	2
10	01-1P2832-00002	Bracket - Control.....	1
11	01-1P2865-00004	Cover - Control (Incls. Item 15).....	1
12	01-1P2410-00017	Kit - Control Panel Conduit (Incls. Items 2, 10, & 11).....	AR
13	01-1P2830-00001	Board - Control.....	1
14	01-100V16-00904	EPR0M.....	1
15	01-100V16-00831	Overlay.....	1
16	01-1P2321-00033	Gasket - Door (Top).....	1
17	01-100V16-0271C	Gasket - Door (Side).....	2
18	01-1P2344-00002	Sweep - Door Assy. (Incls. Items 19, 20, & 21).....	1
19	01-1P2345-00002	Retainer - Outer Door Seal.....	1
20	01-1P2346-00002	Retainer - Inner Door Seal.....	1
21	01-1P2347-00002	Seal - Door Sweep.....	1
22	01-1P1867-00001	Hinge - Package.....	AR



**PANELS AND FLOOR**

**PANELS AND FLOOR**

ILLUS. PL-60653	PART NO.	NAME OF PART	AMT.
1	01-1P2376-00001	Retainer - Upper Forward Trim Assy.....	2
2	01-1P2374-00002	Trim - Front Upper Trim - Front.....	1
3	01-1P2362-00002	Trim - Front Lower Trim - Front.....	1
4	01-100V16-0772A	Nameplate - Baxter (9 In.).....	1
5	01-1P2914-00001	Rack Guide Assy. (Complete) (Incls. Items 28 thru 32).....	1
6	01-1P2493-00005	Corner - Front Left.....	1
7	01-1P2496-00003	Wall.....	3
8	01-1P2502-00001	Panel - Ceiling Front.....	1
9	01-1P2867-00002	Ceiling - Rear.....	1
10	01-1P2493-00006	Corner - Rear.....	2
11	01-1P2493-00001	Corner - Front (Right).....	1
12	01-1P2366-00003	Trim - Rear Corner.....	2
13	01-1P2367-00001	Angle - Floor Side (40-1/2 In.).....	2
14	01-1P2368-00002	Angle - Floor Rear (42 In.).....	1
15	01-1P2018-00002	Angle - Retainer.....	2
16	01-1P2364-00001	Trim - Outer Base (40-1/2 In.).....	2
17	01-1P2365-00001	Bracket - Floor Retainer Assy.....	3
18	01-1P2366-00001	Trim - Jamb (Front) (LH).....	1
19	01-1P2366-00002	Trim - Jamb (Front) (RH).....	1
20	01-1P2370-00040	Floor - Single Floor - Single.....	1
21	01-1000V4-0073A	Tool - Setting.....	1
22	01-1000V4-00073	Anchor - Drop-In 1/4-20 (Quantity of 10).....	1
23	01-1000V4-00221	Mach. Screw 1/4-20 x 1/2 Phil. Flat Hd. (SST).....	AR
24	01-1000V4-00222	Mach. Screw 1/4-20 x 3/4 Phil. Flat Hd. (SST).....	AR
25	01-1000V4-00223	Mach. Screw 1/4-20 x 1 Phil. Flat Hd. (SST).....	AR
26	00-913116	Trowel (For Floor Adhesive).....	AR
27	01-100V21-00057	Adhesive - Floor (11 Oz. Tube).....	AR
28	01-1P2914-00103	Rack Support.....	1
29	01-1P2914-00101	Rack Guide (LH).....	1
30	01-1P2914-00102	Rack Guide (RH).....	1
31	01-1000V4-00412	Mach. Screw 10-32 x 1/2 Phil. Truss Hd. (SST).....	4
32	01-1000V4-00411	Acorn Nut 10-32 (SST).....	4
33	01-1P2461-00001	Bracket - High Limit Thermostat Assembly.....	1
34	01-1P1875-00002	Sensor Assy. - Humidity W/Filter.....	1



PL-60654

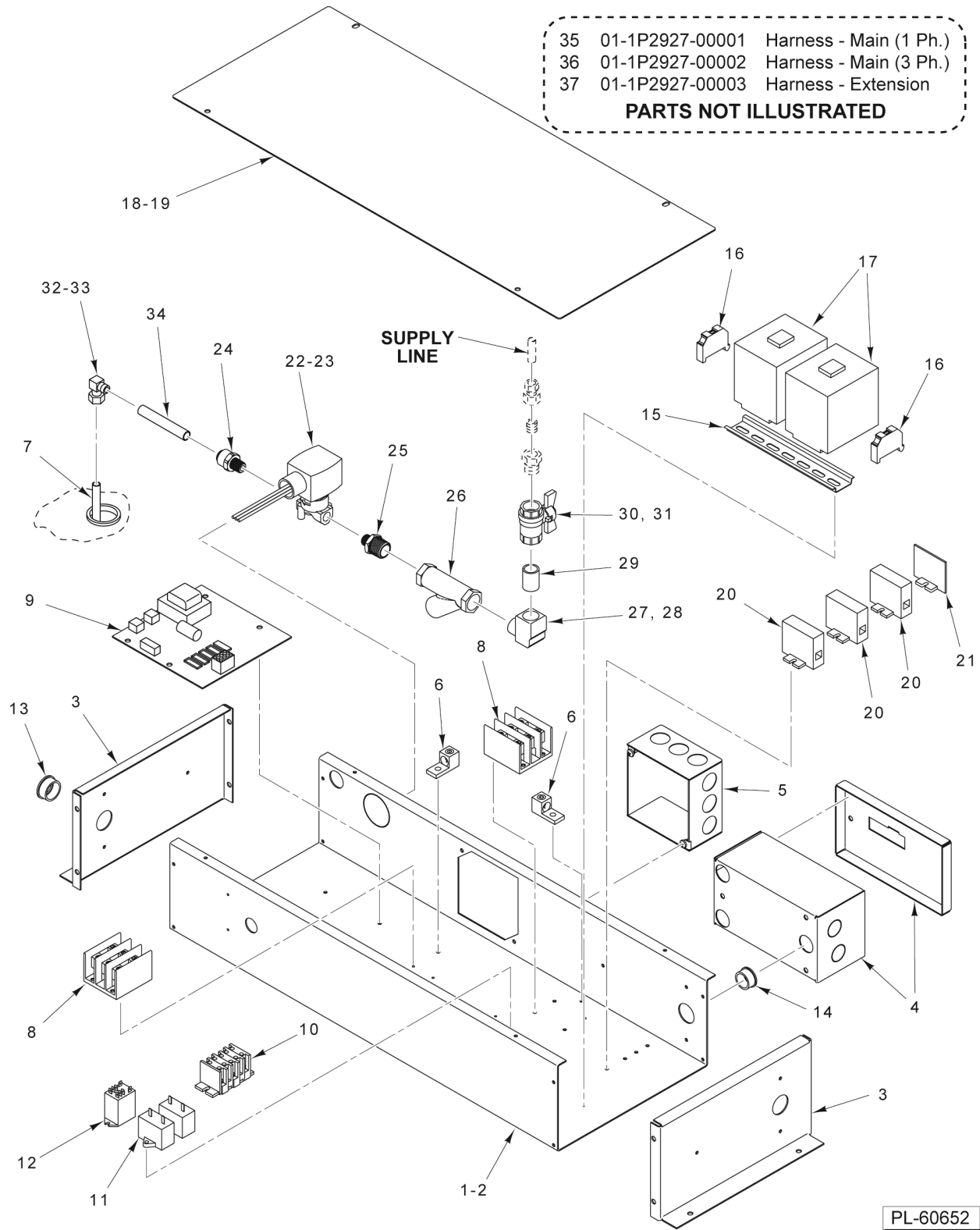
### VENT STACK ASSEMBLY



**VENT STACK ASSEMBLY**

ILLUS.	PART NO.	NAME OF PART	AMT.
PL-60654			
1	01-1P2919-00101	Harness.....	1
2	01-1000V8-00150	Motor - Vent Damper.....	1
3	01-1P2919-00104	Bracket - Vent Actuator Mounting.....	1
4	01-1000V4-00475	Screw - Pan HD Sht Mtl (#10-16 x 0.5).....	2
5	01-1P2915-00101	Body - Exhaust Vent.....	2
6	01-100V16-00682	Gasket - Vent Duct.....	1
7	01-1P2915-00102	Baffle - Exhaust Vent.....	1
8	01-1P2916-00001	Lid Assy. - Exhaust Vent.....	1
9	01-1000V4-00409	Screw 5/16-18 x 1-1/4 Hex Socket Hd.....	1
10	01-1000V4-00408	Screw 5/16-18 x 1 Hex Socket Hd.....	1
11	01-1000V4-00426	Screw.....	10
12	01-1P2915-00103	Hinge - Exhaust Vent.....	1
13	01-1P2915-00001	Vent Assy.....	1

- |    |                 |                        |
|----|-----------------|------------------------|
| 35 | 01-1P2927-00001 | Harness - Main (1 Ph.) |
| 36 | 01-1P2927-00002 | Harness - Main (3 Ph.) |
| 37 | 01-1P2927-00003 | Harness - Extension    |
- PARTS NOT ILLUSTRATED**



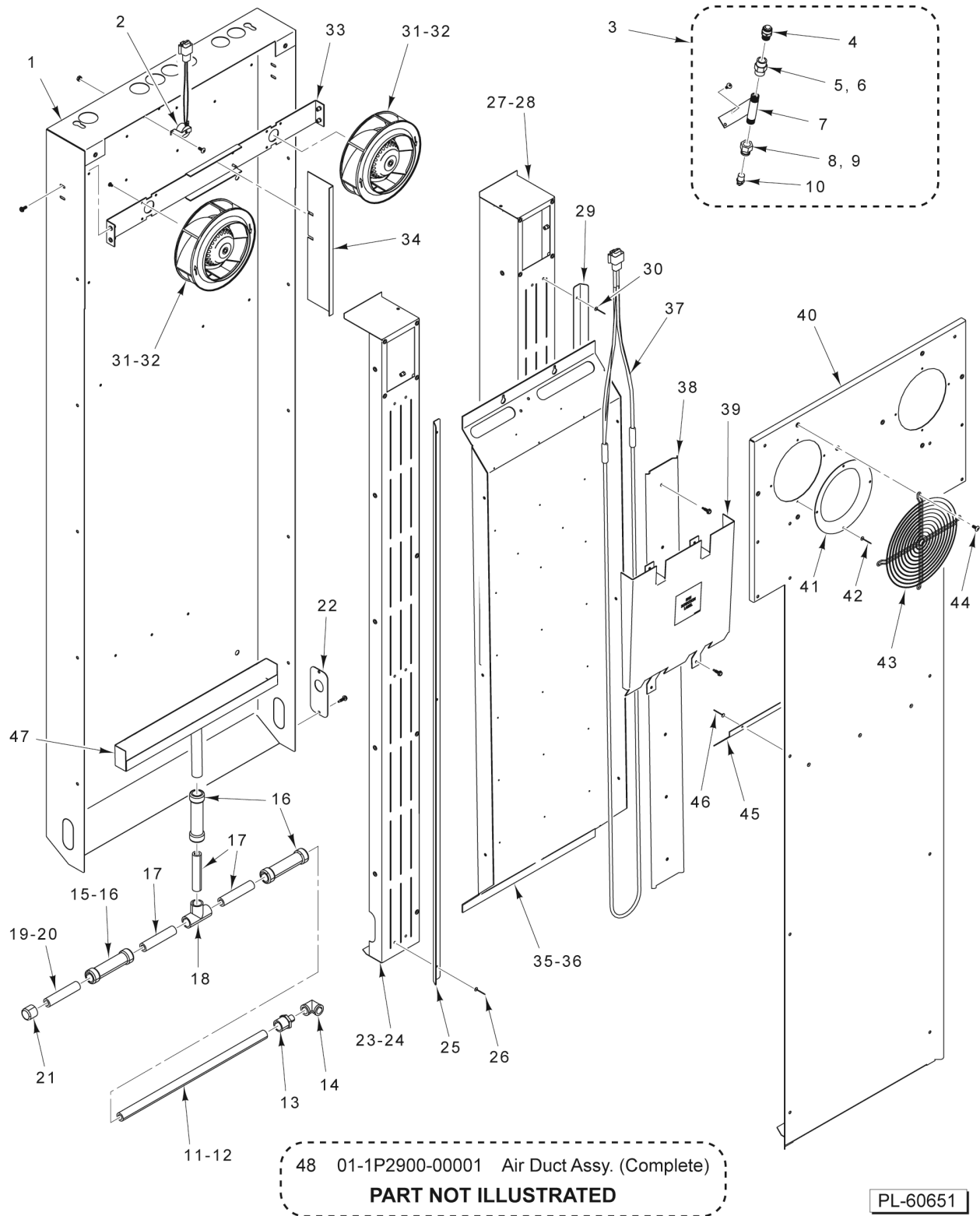
PL-60652

**COMPONENT BOX ASSEMBLY**

**COMPONENT BOX ASSEMBLY**

ILLUS.	PART NO.	NAME OF PART	AMT.
PL-60652			
1	01-1P2921-00001	Box - Control (1 - Duct Unit, 1 Ph.).....	1
2	01-1P2920-00001	Box - Control (1 - Duct Unit, 3 Ph.).....	1
3	01-1P2383-00001	End (Component Box).....	2
4	01-100V11-00139	Box - Breaker.....	1
5	01-100V11-0024C	Box Assy. - Junction.....	1
6	01-1000V5-00037	Lug - Terminal.....	2
7	01-1P2384-00102	Tube - Water Supply 3/8 In. x 21 In. (Nylon).....	1
8	01-1000V5-00096	Block - Power Distribution.....	2
9	01-100V16-00627	Board - Power Supply (Advanced).....	1
10	01-1P2758-00001	Terminal Block Assy.....	1
11	01-1000V8-0175C	Capacitor - Fan Motor.....	2
12	01-1000V6-00327	Relay (1/2 Hp.).....	1
13	01-1000V5-00035	Bushing - Snap (1 In.).....	1
14	01-1000V5-00059	Bushing - Snap (Plastic).....	1
15	01-100V18-00115	Rail - Din (7 In.).....	1
16	01-1000V5-00252	Stop - Terminal Section End.....	2
17	01-1000V6-00382	Contact (40 Amp., 3-Pole, 120 VAC Coil).....	2
18	01-1P2923-00001	Cover Assy. (1 Ph.).....	1
19	01-1P2923-00002	Cover Assy. (3 Ph.).....	1
20	01-100V10-00234	Holder -Midget Fuse (Qty. of 2 for 1 Ph., Qty. of 3 for 3 Ph.).....	AR
5	01-100V10-00235	End - Section (Flat Mount) (600 V.).....	1
22	01-1P2379-00001	Water Supply Assy. (Incls. Items 23 thru 31).....	1
23	01-100V17-00075	Valve - Solenoid 1/4 NPT (2-Way) (120 V.).....	1
24	01-100V17-00633	Adapter 3/8 OD Tube to 1/4 NPTM.....	1
25	01-100V17-00424	Pipe - Reducer Hex 1/2 NPTM to 1/4 NPTM (Brass).....	1
26	01-100V17-00275	Strainer (Y) - Liquid (Brass).....	1
*27	01-100V17-00322	Ell 1/2 Street (Brass).....	1
**28	01-100V17-00758	Elbow - Street (1/2" NPTM x 1/2" NTPF).....	1
29	FP-040-42	Pipe 1/2 x 1-1/8 TBE (Brass).....	1
*30	00-893520	Ball Valve 1/2.....	1
**31	01-100V17-00761	Valve - Ball (1/2' NTPF).....	1
32	01-1P2676-00004	Elbow Assy. (Incls Items 33 & 34).....	1
33	01-100V17-00580	Elbow CPVC 3/8 Comp x 3/8 Comp (Push to Connect).....	1
34	01-1P2676-00400	Tubing.....	1
35	01-1P2927-00001	Harness - Main (1 Ph.) (Inside Control Box).....	1
36	01-1P2927-00002	Harness - Main (3 Ph.) (Inside Control Box).....	1
37	01-1P2927-00003	Harness - Extension (Control Box to J-Box above Heating Duct).....	1

\* Before 1/13/15  
 \*\* 1/13/15 and Later



**DEHUMIDIFYING ASSEMBLY**

## DEHUMIDIFYING ASSEMBLY

ILLUS. PL-60651	PART NO.	NAME OF PART	AMT.
1	01-1P2903-00001	Base Plate Assy.....	1
2	01-1P2456-00001	Switch - High Limit Thermostat Assy.....	1
3	01-1P2462-00003	Nozzle Assy. (Incls. Items 4 thru 10).....	1
4	01-100V17-00764	Adaptor - 3/8 Push To Connect.....	1
*5	01-100V17-00592	Coupling - Hex 3/8 NPTF (Brass).....	1
**6	01-100V17-00777	Coupling - Hex (3/8" NPTF).....	1
7	01-1P2463-00001	Bracket - Mounting Spray Nozzle.....	1
*8	01-100V17-00281	Coupler - Reducer 3/8 to 1/4.....	1
**9	01-100V17-00778	Coupling - Reducing (3/8" NPTF x 1/4" NPTF).....	1
10	01-100V17-00378	Nozzle - Spray Built-In.....	1
11	01-1P2450-00302	Drain - Ell Assy. (Incls. Items 12, 13, & 14).....	1
12	01-1P2450-01900	Tube - Drain (19 In.).....	1
13	01-100V17-00589	NLA - Obsolete--Fitting.....	1
14	01-100V17-00313	Elbow.....	1
15	01-1P2330-00101	Drain - Tee Assy. (Incls. Items 16, 17, & 18).....	1
16	01-100V17-00583	Clamp - Pipe Joining.....	3
17	01-1P2450-00400	Tube - Drain (4 In.).....	3
18	01-100V17-00586	Tee.....	1
19	01-1P2450-00301	Drain - Cap Assy. (Incls. Items 20 & 21).....	1
20	01-1P2450-00400	Tube - Drain (4 In.).....	1
21	01-100V17-00587	Cap - Pipe.....	1
22	01-1P2917-00102	Cover Plate - Drain.....	1
23	01-1P2905-00001	Duct Body - LH Side (Incls. Items 24, 25, & 26).....	1
24	01-1P2905-00102	Duct Body (LH).....	1
25	01-1P2904-00060	Louver - Air Duct Sides.....	2
26	01-100V12-00008	Rivet.....	6
27	01-1P2904-00001	Duct Body - RH Side (Incls. Items 28, 29, & 30).....	1
28	01-1P2904-00102	Duct Body (RH).....	1
29	01-1P2904-00060	Louver - Air Duct Sides.....	2
30	01-100V12-00008	Rivet.....	6
31	01-1P2906-00001	Fan Assy. (Incls. Items 32, 33, & 34).....	1
32	01-1000V8-00175	Motor - Fan (115 V., 50/60 Hz.).....	2
33	01-1P2906-00102	Bracket Assy. - Fan Motor.....	1
34	01-1P2906-00103	Deflector - Air - Fan Assy.....	1
35	01-1P2901-00001	Heater Plate Assy. (Incls. Items 36 thru 39).....	1
36	01-1P2901-00102	Plate - Heater.....	1
37	01-1P2766-00001	Kit - Element Heating.....	3
38	01-1P2901-00103	Clamp - Element Heater.....	3
39	01-1P2901-00202	Shield - Spray.....	1
40	01-1P2907-00001	Front Cover Assy. (Incls Items 41 thru 46).....	1
41	01-1000V8-00174	Ring - Inlet.....	2
42	01-100V12-00008	Rivet.....	8
43	01-1000V8-00173	Guard - Fan.....	2
44	01-1000V4-00412	Mach. Screw 10-32 x 1/2 Phil. Truss Hd. (SST).....	8
45	01-1P2907-00102	Deflector - Water (Front Cover).....	1
46	01-100V12-00008	Rivet.....	3
47	01-1P2902-00002	Drain Pan Weldment.....	1
48	01-1P2900-00001	Air Duct Assy. (Complete) (Incls. Items 1 thru 47).....	1

\* Before 10/16/15

\*\* 10/16/15 and After

